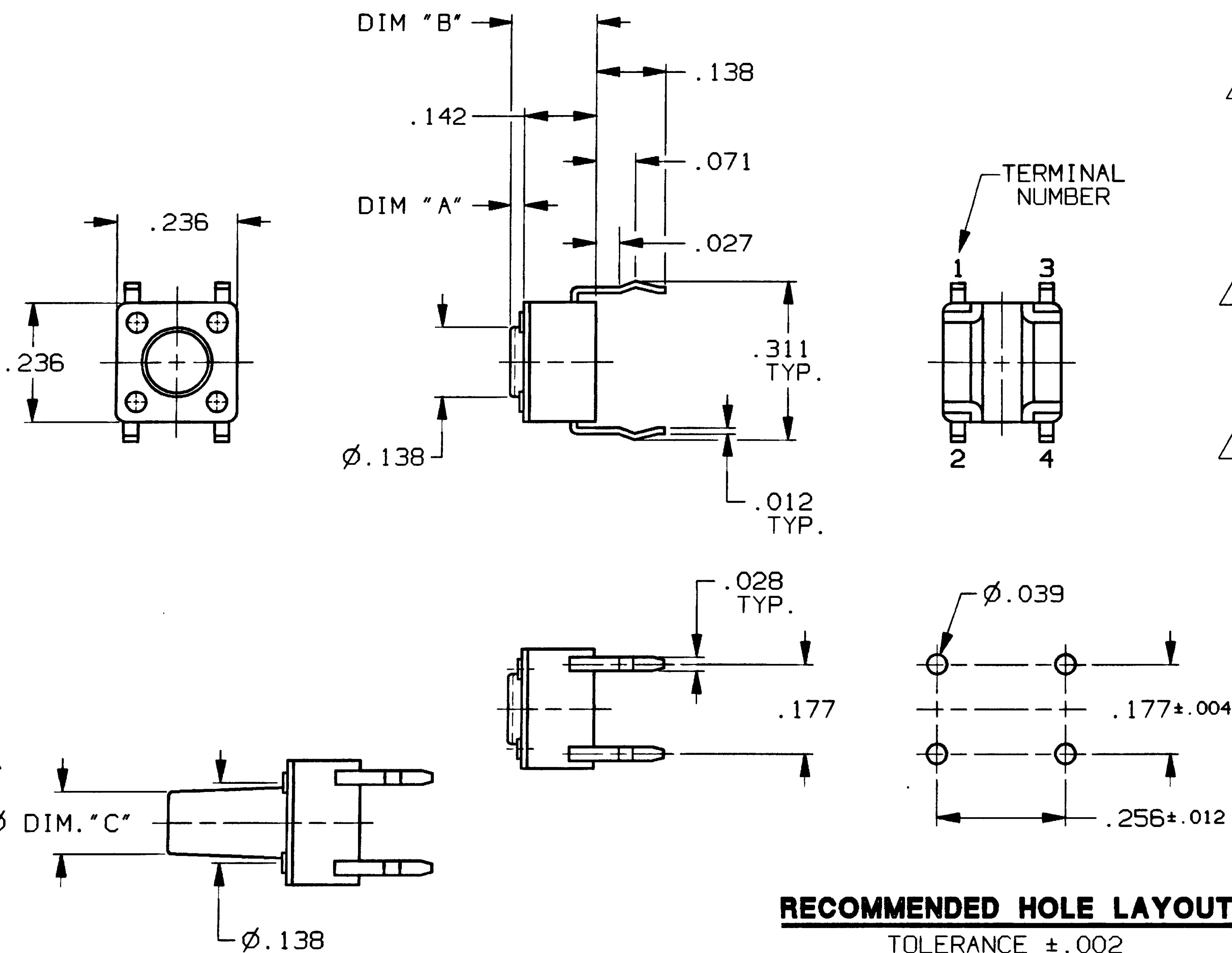


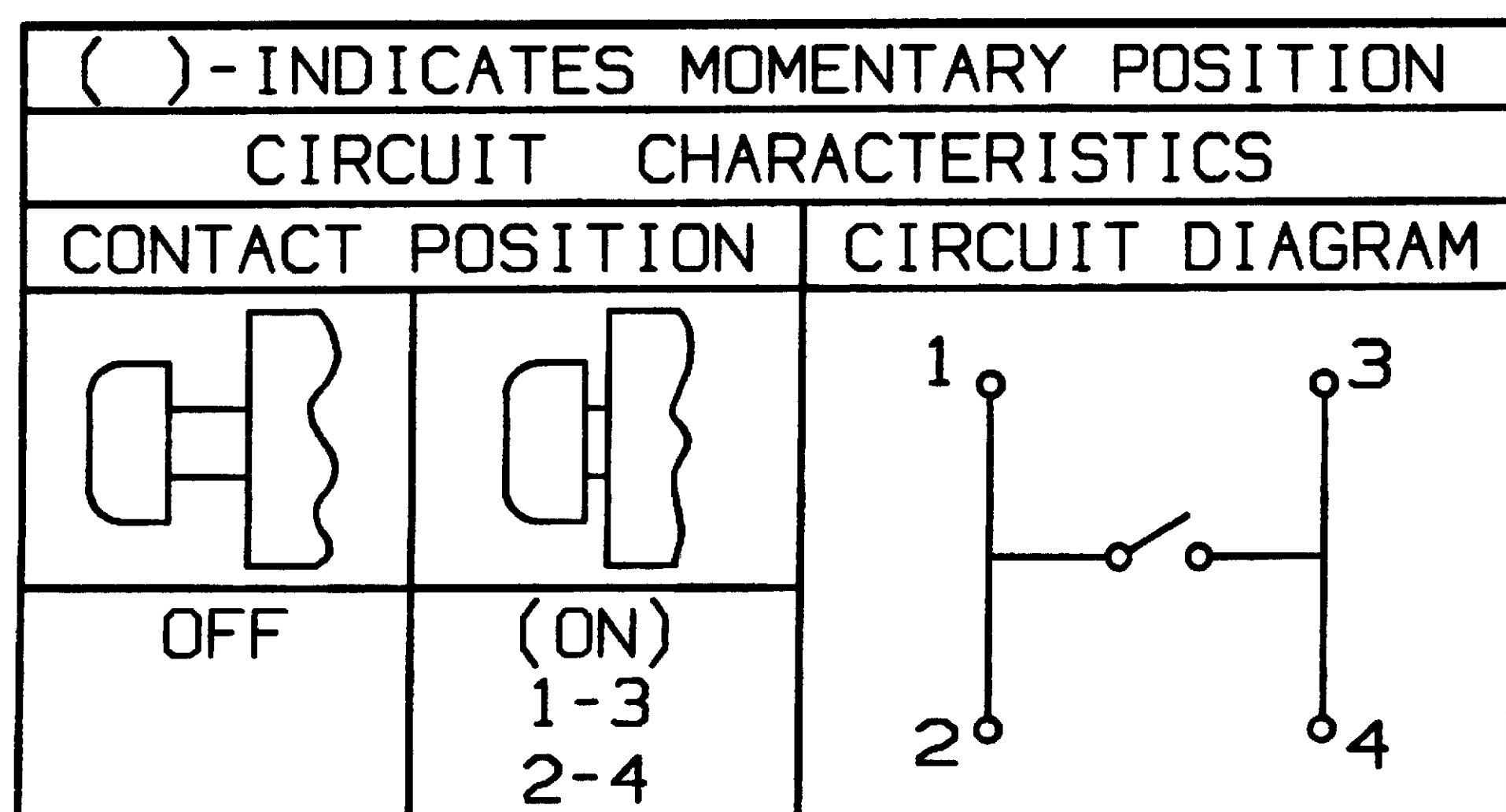
CONVERSION CHART			
INCH	MM	INCH	MM
.001	0.02	.196	5.00
.002	0.05	.232	5.90
.004	0.10	.236	6.00
.006	0.15	.256	6.50
.008	0.20	.276	7.00
.010	0.25	.287	7.30
.012	0.30	.311	7.90
.027	0.71	.315	8.00
.028	0.70	.335	8.51
.039	1.00	.370	9.40
.055	1.40	.374	9.50
.071	1.80	.512	13.00
.110	2.80	.527	13.40
.118	3.00	.699	17.00
.122	3.10		
.126	3.20		
.128	3.25		
.130	3.30		
.134	3.40		
.138	3.50		
.142	3.60		
.146	3.70		
.173	4.40		
.177	4.50		
.193	4.90		

1 7



VIEW A-A

FSM6J THRU FSM18J



SPECIFICATIONS:

MATERIALS:

CASE: POLYAMIDE, BLACK.
COVER: POLYESTER.
ACTUATOR BUTTON: SEE TABLE.
MOVING CONTACT: COPPER ALLOY, SILVER CLAD.
FIXED CONTACT/TERMINALS: COPPER ALLOY, SILVER PLATE.

ELECTRICAL:

CONTACT RATING: 50mA @ 12 VDC.
INITIAL CONTACT RESISTANCE: 100 MILLIOHMS MAX.
INSULATION RESISTANCE: 100 MEGOHMS @ 100 VDC MIN.
DIELECTRIC STRENGTH: 250 VAC
LIFE EXPECTANCY:
ON-OFF ELECTRICAL SWITCHING OPERATIONS, 60 CYCLES PER MINUTE, EXCEEDING 100,000 (OPERATIONS) AT THE RATED CURRENT AT A DEPRESSION FORCE NOT EXCEEDING 250 GRAMS, EXCEPT 50,000 CYCLES FOR "AA" OPTION.

MECHANICAL:

ACTUATION FORCE: SEE TABLE.
ACTUATION TRAVEL: .010" +.010/- .004.
SOLDER HEAT RESISTANCE: THROUGH 500°F PER MIL-STD-202 METHOD 210.

ENVIRONMENTAL:

OPERATING TEMPERATURE: -4°F TO +158°F (-20°C TO +70°C).
STORAGE TEMPERATURE: -22°F TO +176°F (-30°C TO +80°C).

NOTES:

1. INTERPRET DRAWING PER ASME Y14.5M-1994.

(* =)	ACTUATION FORCE	ACTUATOR BUTTON COLOR
(BLANK)	100 TO 350g	SEE BELOW
L	50 TO 150g	BROWN
A	160 TO 400g	RED
AA	370 TO 620g	LIGHT BLUE

MODEL No.	DIMENSION A	DIMENSION B	DIM C	ACTUATOR BUTTON COLOR	ACTUATOR BUTTON MATERIAL
FSM2J*	.028	.169	N/A	BLACK	POLYESTER
FSM4J*	.055	.196	N/A	BLACK	POLYESTER
FSM6J*	.134	.276	.130	BLUE	ACETAL
FSM8J*	.232	.374	.122	BLACK	ACETAL
FSM10J*	.146	.287	.128	IVORY	ACETAL
FSM12J*	.173	.315	.126	WHITE	ACETAL
FSM14J*	.370	.512	.118	BLACK	ACETAL
FSM16J*	.527	.669	.110	BLACK	ACETAL
FSM18J*	.193	.335	.122	BLACK	ACETAL

OUTLINE DRAWING
SPECIFICATIONS ARE SUBJECT TO CHANGES WITHOUT NOTICE

THIS IS A C.A.D. GENERATED DRAWING.
DO NOT MAKE MANUAL REVISIONS TO MASTER.

REV	REVISIONS
0	INITIAL RELEASE ESR #4528 CMM. 12-29-93 APP'D: J. SYLVIA 12-30-93
1	REVISED ECO#357-94 TRU-D 5-30-94 APP'D: M.P. 5-31-94
2	REVISED ECO#503-94 L.S. 6-28-94 APP'D: D. SARKISIAN
3	REVISED ECO#736-94 TRU-D 9-15-94 APP'D: D.S. 9-19-94
4	REVISED ECO#198-95 L.S. 4-22-95 APP'D:
5	REVISED ECO#392-95 K.W. 7-6-95 APP'D: D.S. 7/13/95
6	REVISED ECO#554-95 T.D. 8-28-95 APP'D: D. SARKISIAN 9-17-95
7	REVISED ECO#784-95 C.A.T. 10-26-95 APP'D: B. MONTAGUE 10-30-95
8	REVISED ECO#13-96 C.A.T. 1-25-96 APP'D: W. MONTAGUE 1-25-96
9	REVISED ECO#126-96 C.A.T. 3-15-96 APP'D: W. MONTAGUE 3-20-96
10	REVISED ECO#283-96 S. KIRCORIAN 5-7-96 APP'D: <i>[Signature]</i> 5-24-96

THIRD ANGLE PROJECTION

TOLERANCES (EXCEPT AS NOTED)
ANGULAR = ±1°
DECIMAL .XX =
DECIMAL .XXX = ±.012
DECIMAL .XXXX =

AUGAT CONFIDENTIAL
This document contains information which is the exclusive property of Augat Inc.
Distribution, reproduction or use by others is not permitted without the expressed written consent of Augat Inc.

UNLESS OTHERWISE SPECIFIED DIMENSIONS ARE IN INCHES DO NOT SCALE PRINT	ORIGINAL DATE OF DRAWING: 12-29-93
FILE NAME: 81075OUT	DIRECTORY: PSHSWTCH
MATERIAL: SEE SPECIFICATIONS	DRAWN: C. MORAN
FINISH: SEE SPECIFICATIONS	CHECKED: DATE:
	APPROVED: J. SYLVIA
	DATE: 12-30-93
	CODE IDENT. NO. 91506
	DWG. SIZE C
	NEXT ASSY:

AUGAT INC. 452 JOHN DIETSCH BLVD. ATTLEBORO FALLS, MASS. 02763	
TITLE: OUTLINE DRAWING MICRO-MINIATURE PUSHBUTTON SWITCH FSM2J Thru FSM18J	
DWG. NO. 81075-SD	REV. 10
PRODUCT CODE: B18	SCALE: SHEET 1 OF 1