

7 6 5 4 3 2 1

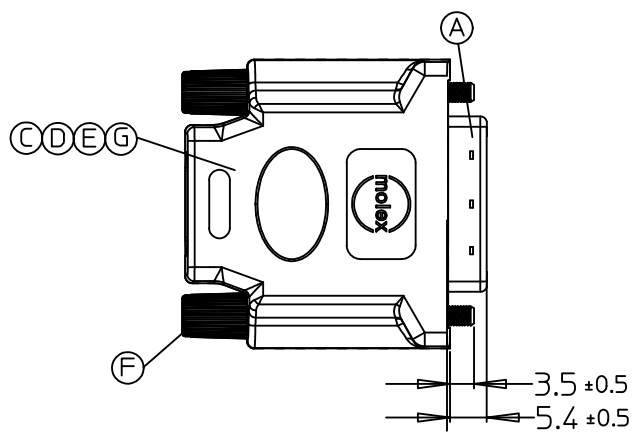
E

D

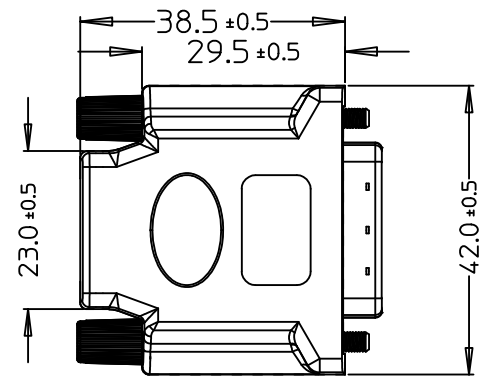
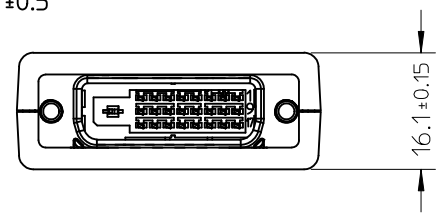
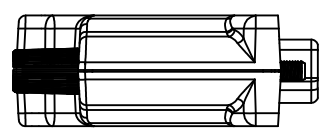
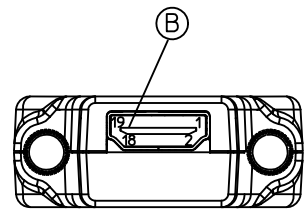
C

B

A



Notes:
INNERMOLD WITH PVC
THIS PRODUCT MUST MEET ROHS COMPLIANCE.



HDMI	DVI-D	Function
1	2	TMDS DATA2+
2	3	TMDS DATA2 SHIELD
3	1	TMDS DATA2-
4	10	TMDS DATA1+
5	11	TMDS DATA1 SHIELD
6	9	TMDS DATA1-
7	18	TMDS DATA0+
8	19	TMDS DATA0 SHIELD
9	17	TMDS DATA0-
10	23	TMDS CLOCK+
11	22	TMDS CLOCK SHIELD
12	24	TMDS CLOCK-
13	N/A	N/A
14	N/A	N/A
15	6	DDC CLOCK(SCL)
16	7	DDC DATA(SDA)
17	15	GROUND(+5V&DDC)
18	14	POWER +5V
19	16	HOT PLUG DETECT
SHIELD	SHIELD	GROUND(+5V&DDC)

ITEM	DESCRIPTION	USAGE
G	TMDS #28 RED	20mm
F	4-40 UNC SCREW	2
E	PCB	1
D	ABS BOTTOM COVER	1
C	ABS TOP COVER	1
B	PCBA FOR HDMI/F	1
A	DVI-D CONN.	1

ENTER DESCRIPTION EC NO: DG2011-0443 DRWN:FZHANG01 2011/05/05 CHKD:JFZHENG 2011/05/05 APPR:ZXDENG 2011/05/11	QUALITY SYMBOLS = 0 = 0	GENERAL TOLERANCES (UNLESS SPECIFIED)		DIMENSION STYLE MM ONLY		SCALE ---	DESIGN UNITS METRIC	THIRD ANGLE PROJECTION	
		4 PLACES	± ---	± ---	DRAWN BY FZHANG01	DATE 2011/05/05	TITLE HDMI(F) TO DVI-D(M) GOLD ADAPTER		
		3 PLACES	± ---	± ---	CHECKED BY JFZHENG	DATE 2011/05/05			
		2 PLACES	± ---	± ---	APPROVED BY ZXDENG	DATE 2011/05/11	MOLEX INCORPORATED		
ANGULAR ± ---°		DRAFT WHERE APPLICABLE MUST REMAIN WITHIN DIMENSIONS		MATERIAL NO. 687670026	DOCUMENT NO. SD-68767-0026	SHEET NO. 1 OF 1			
SIZE A 4		THIS DRAWING CONTAINS INFORMATION THAT IS PROPRIETARY TO MOLEX INCORPORATED AND SHOULD NOT BE USED WITHOUT WRITTEN PERMISSION							

6 5 4 3 2 1

7 6 5 4 3 2 1

E

D

C

B

A

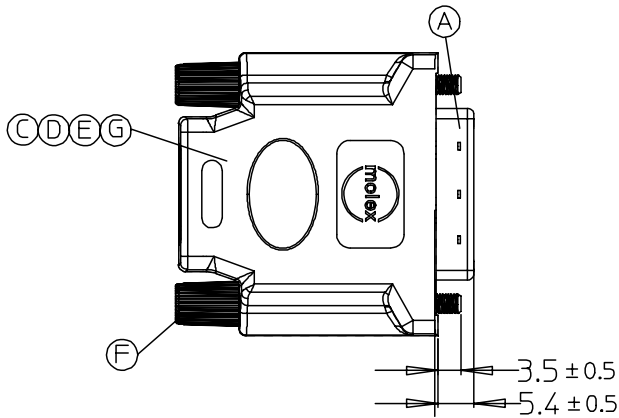
E

D

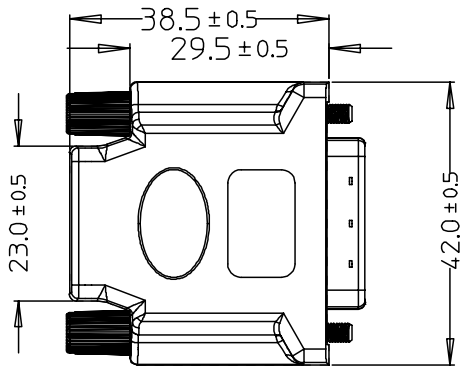
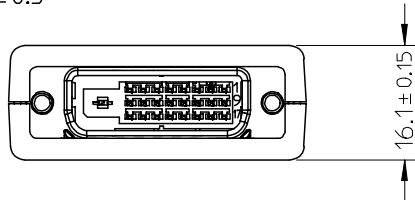
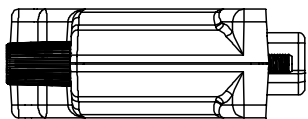
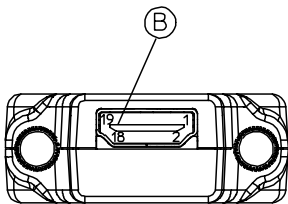
C

B

A



Notes:
INNERMOLD WITH PVC887800019.
THIS PRODUCT MUST MEET ROHS COMPLIANCE.



HDMI	DVI-D	Function
1	2	TMDS DATA2+
2	3	TMDS DATA2 SHIELD
3	1	TMDS DATA2-
4	10	TMDS DATA1+
5	11	TMDS DATA1 SHIELD
6	9	TMDS DATA1-
7	18	TMDS DATA0+
8	19	TMDS DATA0 SHIELD
9	17	TMDS DATA0+
10	23	TMDS CLOCK+
11	22	TMDS CLOCK SHIELD
12	24	TMDS CLOCK-
13	N.A	N.A
14	N.A	N.A
15	6	DDC CLOCK(SCL)
16	7	DDC DATA(SDA)
17	15	GROUND(+5V&DDC)
18	14	POWER +5V
19	16	HOT PLUG DETECT
SHIELD	SHIELD	GROUND(+5V&DDC)

ITEM	MX P/N	DESCRIPTION	USAGE
G	887808260	TMDS #28 RED	20mm
F	172000542	4-40 UNC SCREW	2
E	685000212	PCB	1
D	887899844	ABS BOTTOM COVER	1
C	887899843	ABS TOP COVER	1
B	685100152	PCBA FOR HDMI/F	1
A	172000432	DVI-D CONN.	1

ENTER DESCRIPTION EC NO: DG2007-0027 DRWN: JFZHENG 2006/09/02 CHKD: JFZHENG 2006/09/04 APPR: DQLUO 2006/09/04	QUALITY SYMBOLS ▽=0 ▽=0	GENERAL TOLERANCES (UNLESS SPECIFIED)		DIMENSION STYLE MM ONLY		SCALE ---	DESIGN UNITS METRIC	THIRD ANGLE PROJECTION		
			mm	INCH	DRAWN BY	DATE	TITLE			
		4 PLACES	±---	±---	JFZHENG	2006/01/20	HDMI(F) TO DVI-D(M) GOLD ADAPTER			
		3 PLACES	±---	±---	CHECKED BY	DATE				
2 PLACES	±---	±---	JFZHENG	2006/01/20						
1 PLACE	±---	±---	APPROVED BY	DATE						
		ANGULAR ±---°		DQLUO	2006/01/20	MOLEX INCORPORATED				
		DRAFT WHERE APPLICABLE MUST REMAIN WITHIN DIMENSIONS		MATERIAL NO. 687670026		DOCUMENT NO. SD-68767-026		SHEET NO. 1 OF 1		
				SIZE A4	THIS DRAWING CONTAINS INFORMATION THAT IS PROPRIETARY TO MOLEX INCORPORATED AND SHOULD NOT BE USED WITHOUT WRITTEN PERMISSION					

6

5

4

3

2

1