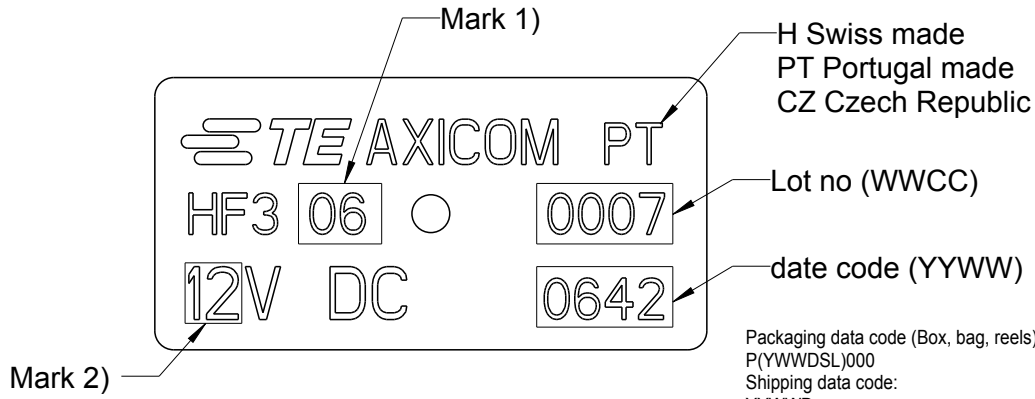


| LOC | DIST | REVISIONS | | | | | |
|-----|------|-----------|-----|---------------------------------------|-----------|-----|------|
| | | P | LTR | DESCRIPTION | DATE | DWN | APVD |
| HJ | - | | C1 | ECR-14-007162 (Packaging information) | 13OCT2015 | AP | AK |
| | | | C | REVISED PER ECO-13-009645 | 18JUN2013 | UKo | AK |
| | | | B5 | ECR-12-003906, New HF3 43i(S) | 29FEB2012 | UKo | AK |
| | | | B4 | New HF3 46E | 12JAN2012 | UKo | BK |



P - Product code (9 to HF relay)
 Y(Y) - Year (last digit for packaging)
 WW - calendar week (from date code)
 D - Day of the week (1=Sat,.....and 7=Fri)
 S - Shift (1=day shift, 2 night shift)
 L - Production Line
 C - Weekly sequential number
 000 - For internal use

| Relay-Typ | Mark 1) | Mark 2) | PN |
|-----------|---------|---------|-------------|
| HF3 01 | 01 | 3 | 1462050-1 |
| HF3 01S | 01S | 3 | 3-1462050-0 |
| HF3 02 | 02 | 4.5 | 1-1462050-6 |
| HF3 02S | 02S | 4.5 | 3-1462050-1 |
| HF3 03 | 03 | 5 | 1462050-2 |
| HF3 03L | 03L | 5 | 2-1462050-6 |
| HF3 03S | 03S | 5 | 2-1462050-2 |
| HF3 03SR | 03SR | 5 | 2-1462050-5 |
| HF3 04 | 04 | 6 | 1-1462050-7 |
| HF3 05 | 05 | 9 | 1462050-3 |
| HF3 05S | 05S | 9 | 2-1462050-3 |
| HF3 06 | 06 | 12 | 1462050-4 |
| HF3 06L | 06L | 12 | 2-1462050-8 |
| HF3 06S | 06S | 12 | 2-1462050-7 |
| HF3 07 | 07 | 24 | 1462050-5 |

2007

RELEASED FOR PUBLICATION

ALL RIGHTS RESERVED.

© COPYRIGHT 2007

THIS DRAWING IS UNPUBLISHED.

| | | | | | | |
|------------------------------------------------------|------------------|-----------|------------------------|-----------|--------------|---------------|
| DIMENSIONS: mm | DWN UKo 9193 | 04APR2007 | MATERIAL | - | FINISH | - |
| | CHK HD 9121 | 04APR2007 | TE Connectivity | | | |
| TOLERANCES UNLESS OTHERWISE SPECIFIED: DIN 7168-m | APVD HD 9121 | 04APR2007 | | | | |
| 0 PLC ±- | PRODUCT SPEC | - | NAME | | | HF3-Relay 75Ω |
| 1 PLC ±- | - | - | Marking | | | |
| 2 PLC ±- | APPLICATION SPEC | - | SIZE | CAGE CODE | DRAWING NO | RESTRICTED TO |
| 3 PLC ±- | - | - | A4 | 00779 | C- 1462050-1 | - |
| 4 PLC ±- | WEIGHT | - | CUSTOMER DRAWING | | | |
| ANGLES ±- | | | SCALE | 5:1 | SHEET | 1 OF 2 |
| | | | REV C1 | | | |

| | | | | | | | |
|------------------|------------------|-----------|-----|-------------|------|-----|------|
| LOC HJ | DIST - | REVISIONS | | | | | |
| | | P | LTR | DESCRIPTION | DATE | DWN | APVD |
| | | - | | SEE SHEET 1 | - | - | - |
| | | | | | | | |
| | | | | | | | |

| Relay-Typ | Mark 1) | Mark 2) | PN |
|-----------|---------|---------|-------------|
| HF3 21 | 21 | 3 | 1462050-6 |
| HF3 22 | 22 | 4.5 | 1-1462050-8 |
| HF3 23 | 23 | 5 | 1462050-7 |
| HF3 24 | 24 | 6 | 1-1462050-9 |
| HF3 25 | 25 | 9 | 1462050-8 |
| HF3 26 | 26 | 12 | 1462050-9 |
| HF3 27 | 27 | 24 | 1-1462050-0 |
| HF3 41 | 41 | 3 | 1-1462050-1 |
| HF3 42 | 42 | 4.5 | 2-1462050-0 |
| HF3 43 | 43 | 5 | 1-1462050-2 |
| HF3 43S | 43S | 5 | 2-1462050-4 |
| HF3 43I | 43I | 5 | 3-1462050-7 |
| HF3 43IS | 43IS | 5 | 3-1462050-9 |
| HF3 44 | 44 | 6 | 2-1462050-1 |
| HF3 45 | 45 | 9 | 1-1462050-3 |
| HF3 46 | 46 | 12 | 1-1462050-4 |
| HF3 46E | 46E | 12 | 3-1462050-6 |
| HF3 46L | 46L | 12 | 2-1462050-9 |
| HF3 47 | 47 | 24 | 1-1462050-5 |
| | | | |
| | | | |
| | | | |
| | | | |
| | | | |
| | | | |
| | | | |
| | | | |


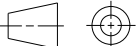
2007

RELEASED FOR PUBLICATION

ALL RIGHTS RESERVED.

© COPYRIGHT 2007

THIS DRAWING IS UNPUBLISHED.

| | | | | | | |
|-------------------------------------------------------------------------------------|------------------|-----------|-------------------------------------------------------------------------------------------------------------|-----------|----------------------|---------------|
| DIMENSIONS: mm | DWN UKo 9193 | 04APR2007 | MATERIAL | - | FINISH | - |
| | CHK HD 9121 | 04APR2007 |  TE Connectivity | | | |
| TOLERANCES UNLESS OTHERWISE SPECIFIED: DIN 7168-m | APVD HD 9121 | 04APR2007 | | | | |
| 0 PLC ±- | PRODUCT SPEC | | NAME | | | |
| 1 PLC ±- | - | | HF3-Relay 75Ω | | | |
| 2 PLC ±- | APPLICATION SPEC | | Marking | | | |
| 3 PLC ±- | - | | SIZE | CAGE CODE | DRAWING NO | RESTRICTED TO |
| 4 PLC ±- | - | | A4 | 00779 | C - 1462050-1 | - |
| ANGLES ±- | WEIGHT | | CUSTOMER DRAWING | | | |
|  | - | | SCALE | SHEET | OF | REV |
| | | | 5:1 | 2 | 2 | C1 |