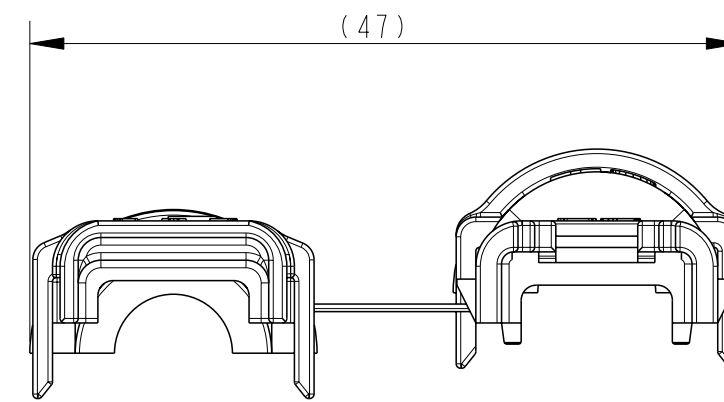
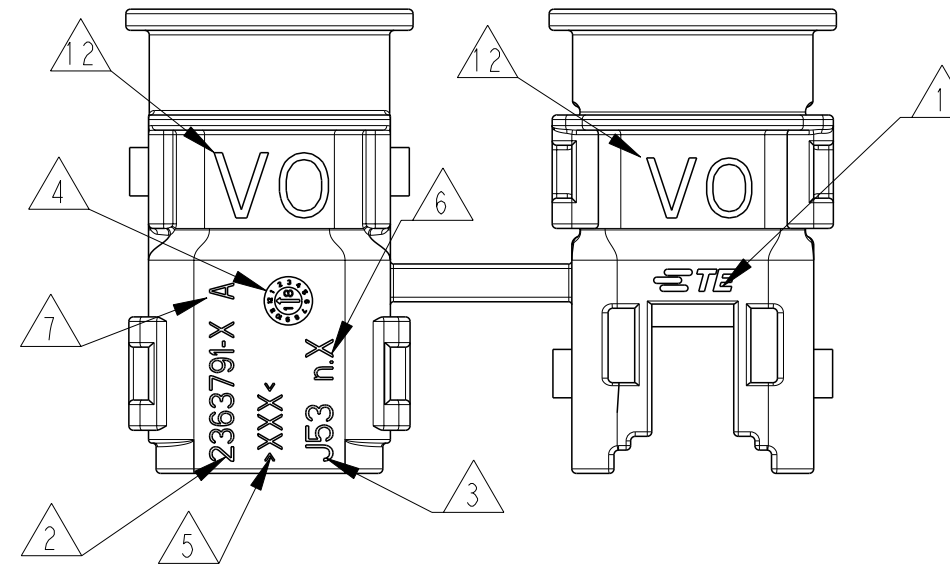
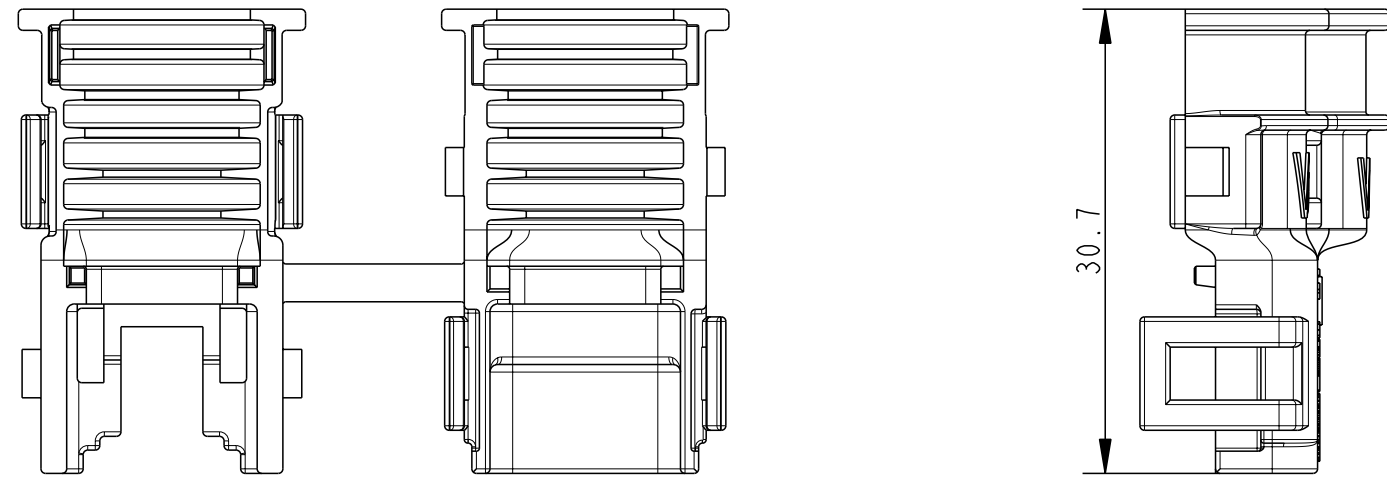


DELIVERY CONDITION AS SHOWN

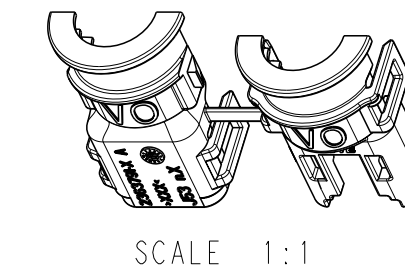
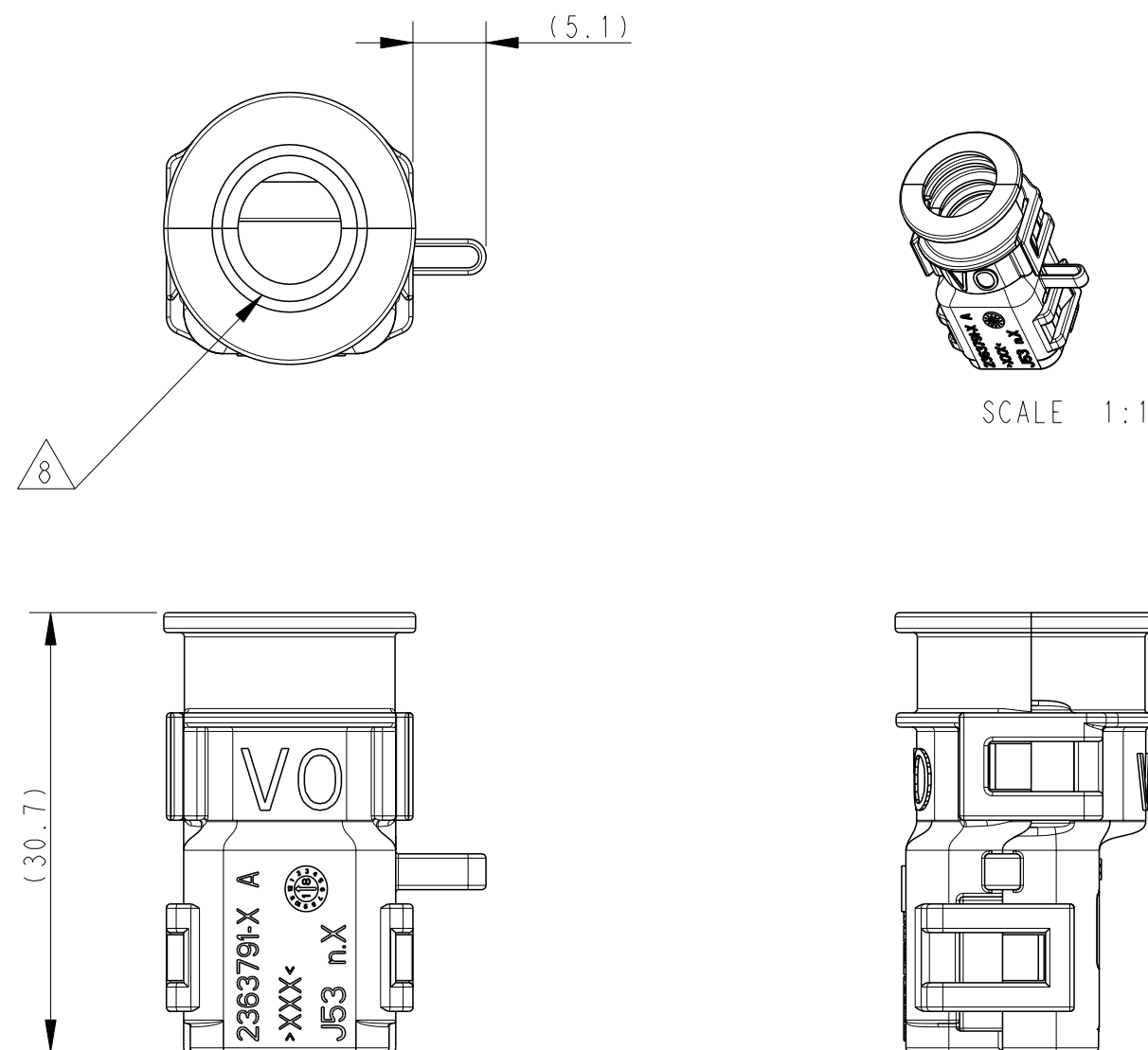


| REVISIONS | | | | | |
|-----------|-----|-----------------|-----------|-----|------|
| P | LTR | DESCRIPTION | DATE | DWN | APVD |
| A | | INITIAL RELEASE | 06DEC2019 | N.S | I.Y |
| A1 | | ECR-20-011698 | 21AUG2020 | N.S | I.Y |
| A2 | | ECR-20-013035 | 15SEP2020 | N.S | I.Y |
| A3 | | ECR-20-015033 | 22OCT2020 | N.S | I.Y |

NOTES:

- 1. TE LEGO
- 2. TE PART NO.
- 3. MANUFACTURING LOCATION.
- 4. DATE CODE.
- 5. MATERIAL MARKING, EXCHANGEABLE
- 6. MOULD CAVITY MARKING
- 7. PART REVISION
- 8. FOR CORRUGATED TUBE: NW 6/7.5/8.5/10.
- 9. P/N: 2363791 USED ON SSP PLUG 2P P/N: 2324808 AND DT06-2S-XXXX NO CAP VERSION
- 10. BULK PACKAGING IN CORRUGATED BOX
- 11. BASED ON THE HINGE MECHANISM, THE DELIVERY CONDITION CAN BE DIFFERENT TO THE SHOWN STATUS.
- 12. VO MARK. ONLY SHOWS ON PN: 2363791-2

CLOSED (MOUNTED) CONDITIONS AS SHOWN



| TE P/N | REV | COLOR | DESCRIPTION | ITEM |
|-----------|-----|-------|---|------|
| 2363791-2 | A | BLACK | 180DEG PLUG HSG BACKSHELL FOR SUPERSEAL PRO 2P(VO TYPE) | 2 |
| 2363791-1 | A | BLACK | 180DEG PLUG HSG BACKSHELL FOR SUPERSEAL PRO 2P(HB TYPE) | 1 |

THIS DRAWING IS A CONTROLLED DOCUMENT.

| | | |
|------|----------|-----------|
| DWN | N. SONG | 22NOV2019 |
| CHK | E. JIANG | 22NOV2019 |
| APVD | I. YIN | 22NOV2019 |

TE Connectivity

PLUG HSG BACKSHELL, 2POS, SSP, 180DEG

| | | | |
|------|-----------|------------|---------------|
| SIZE | CAGE CODE | DRAWING NO | RESTRICTED TO |
| A2 | 00779 | C-2363791 | |

CUSTOMER DRAWING SCALE 2:1 SHEET 1 OF 1 REV A3