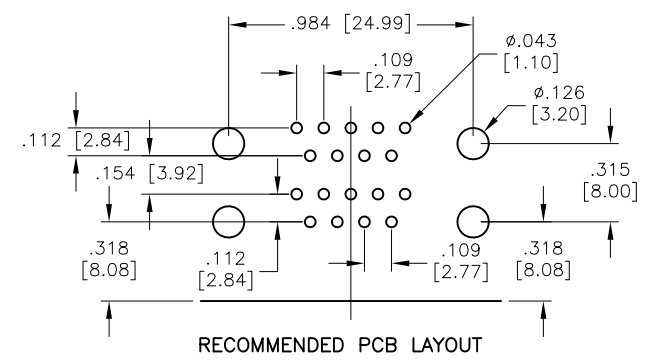
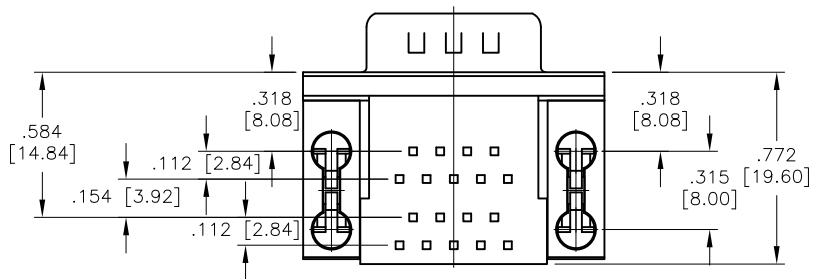
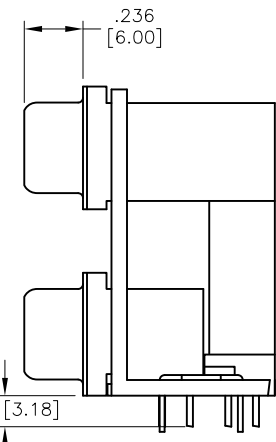
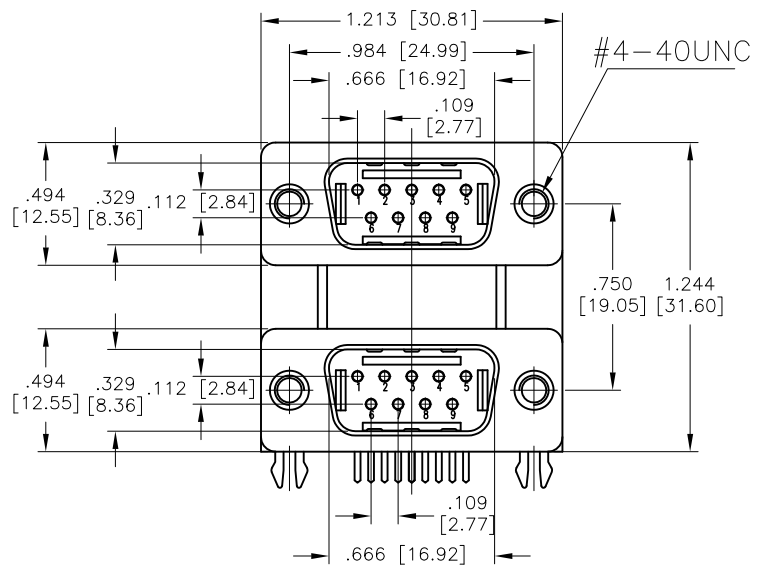


Rev	AWO #	Description	Date	Appr
-		RELEASED	1/23/18	

APPROVED: _____
 DATE: _____ TITLE: _____



SPECIFICATIONS:
 Material:
 Insulator: PBT, rated UL 94V-0
 Insulator color: Black
 Contacts: Copper Alloy
 Shell: SPCC, Nickel plated
 Boardlock: Copper Alloy, Tin, plated
 Bracket: Zinc Alloy, Nickel plated
 Plating:
 Gold over Nickel underplate on contact area,
 Tin over Nickel underplate on solder tails
 Electrical:
 Voltage: 250 VAC max
 Current rating: 3 Amp per Contact
 Contact resistance: 25 mohms max
 Insulation resistance: 5,000 Mohms min
 Dielectric withstanding voltage: 1000 VAC for 1 minute
 Temperature Rating:
 Operating temperature: -55°C to +85°C
 Environmental:
 Lead free, RoHS compliant



UNLESS OTHERWISE SPECIFIED
 ALL DIMENSIONS ARE MILLIMETERS
 TOLERANCES: EXCEPT AS NOTED

INCHES		HOLES	
.X	± 0.25	∅.XX	± 0.13
.XX	± 0.15		
.XXX	± 0.05		

APPROVALS		DATE
DRAWN	AY	1/23/18
CHECKED	MY	1/23/18
APPROVED		

ADAM TECH INTERCONNECTS

909 Rahway Avenue,
 Union, NJ 07083
 Phone: 908-687-5000
 Fax: 908-687-5710

TITLE		DUAL PORT D-SUB, 09 MALE / 09 MALE W/BOARDLOCKS	
SIZE	PART NO.	REV.	
X	DPD-09-11-B3	-	
REF:	S00027T	SCALE:	NTS
		SHEET 1 OF 1	