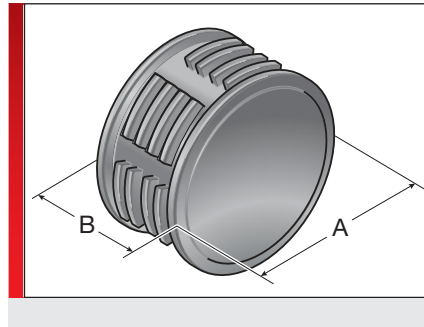


## Strain relief cable star



ZS-70-KB

### PRODUCT INFORMATION

The cable star grommet is the optimum and most cord friendly strain relief for your cables, also offering the highest degree of tear-out resistance. The elongated KB version is fastened with an additional conduit clamp to facilitate even extreme loads. Another benefit of the cable star grommet is its preventive properties against the ingress of contamination into the dresspack.

Simply drill holes of the appropriate cable diameter into the R-ZL. Or, with a minimum order of 10 pieces, we can produce your customized hole pattern, using our waterjet technology. Talk to us!

### SPECIFICATIONS

- Elastomer
- 40 – 110 °C
- V0

HF
 RoHS
 Made in Germany

Type	Order No.	Colour	Suitable for System holder	Version	A mm	B mm	Pack qty.
<b>Strain relief as blank for self-made assembly</b>							
R-ZL/N1 21/29	83951606	Black			33.50	18.00	1
R-ZL/N1 36/48	83951610	Black			55.00	18.00	1
V-ZLT-70	83692802	Black			82.50	39.00	1
V-ZLT-70KB	83692804	Black			82.50	66.50	1
<b>Strain relief system</b>							
ZS-70 <sup>1)</sup>	83692806	Black	SH 56/70		100.90	60.35	1
ZS-70-KB <sup>1)</sup>	83692808	Black	SH 56/70		100.90	85.40	1

<sup>1)</sup>Tightening torque 1.5Nm

Elastomer

### THERMAL PROPERTIES

**Temperature / temperature range**  
-40 – 110 °C

### FIRE BEHAVIOUR

**Fire classification**  
V0

## Strain relief cable star

### APPROVALS AND OPERATING PERMITS



ROBI approval

### TECHNICAL INFORMATION



Halogen-free

### CONFORMITY



RoHS (EC Directive 202/95/EC)

### GENERAL INFORMATION



Made in Germany

All details given in our sales material prospectuses and catalogues as well as the information available online are based on our current knowledge of the products described.

The electronic data and files made available by Murrplastik, particularly CAD files are based on our current knowledge of the product described.

A legally binding assurance of certain properties or the suitability for a certain purpose can not be determined from this information.

All information with respect to the chemical and physical properties of Murrplastik products as well as application advice given verbally, in writing or by tests, is given to the best of our knowledge.

This does not free the purchaser of carrying out their own inspections and tests in order to determine the suitability of a product for a specific purpose.

Murrplastik accepts no responsibility for the available information being up-to-date, correct or complete. Neither do we accept responsibility for the quality of this information.

Murrplastik accepts no liability for damage caused as a result of using our products.

Murrplastik reserves the right to make technical changes and improvements through constant further development of products and services.

Our General Terms and Conditions apply.

© Murrplastik Systemtechnik GmbH • proID\_96572~20170601~890283~aur\_zl