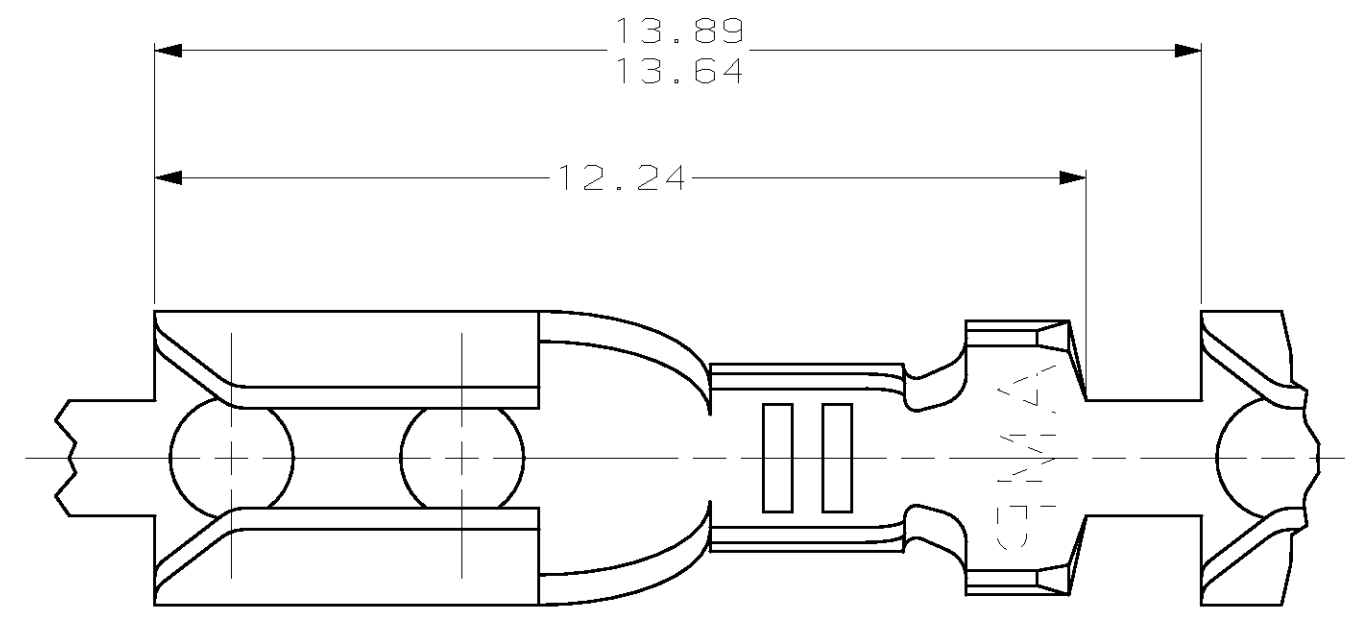
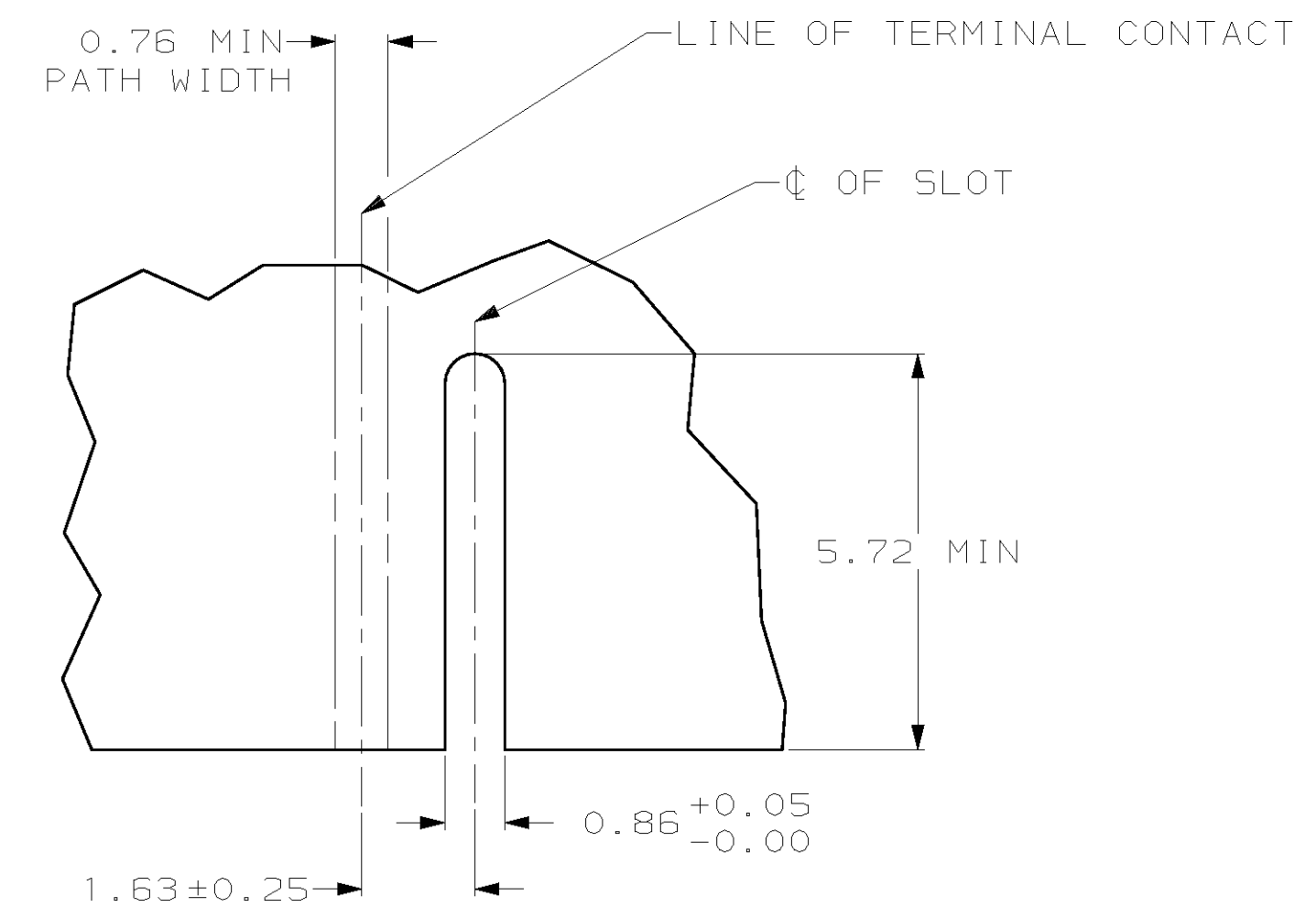


THIS DRAWING IS UNPUBLISHED. RELEASED FOR PUBLICATION
 (C) COPYRIGHT 19 BY AMP INCORPORATED. ALL RIGHTS RESERVED.

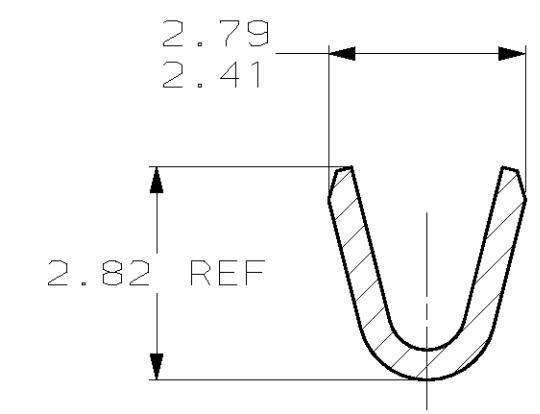
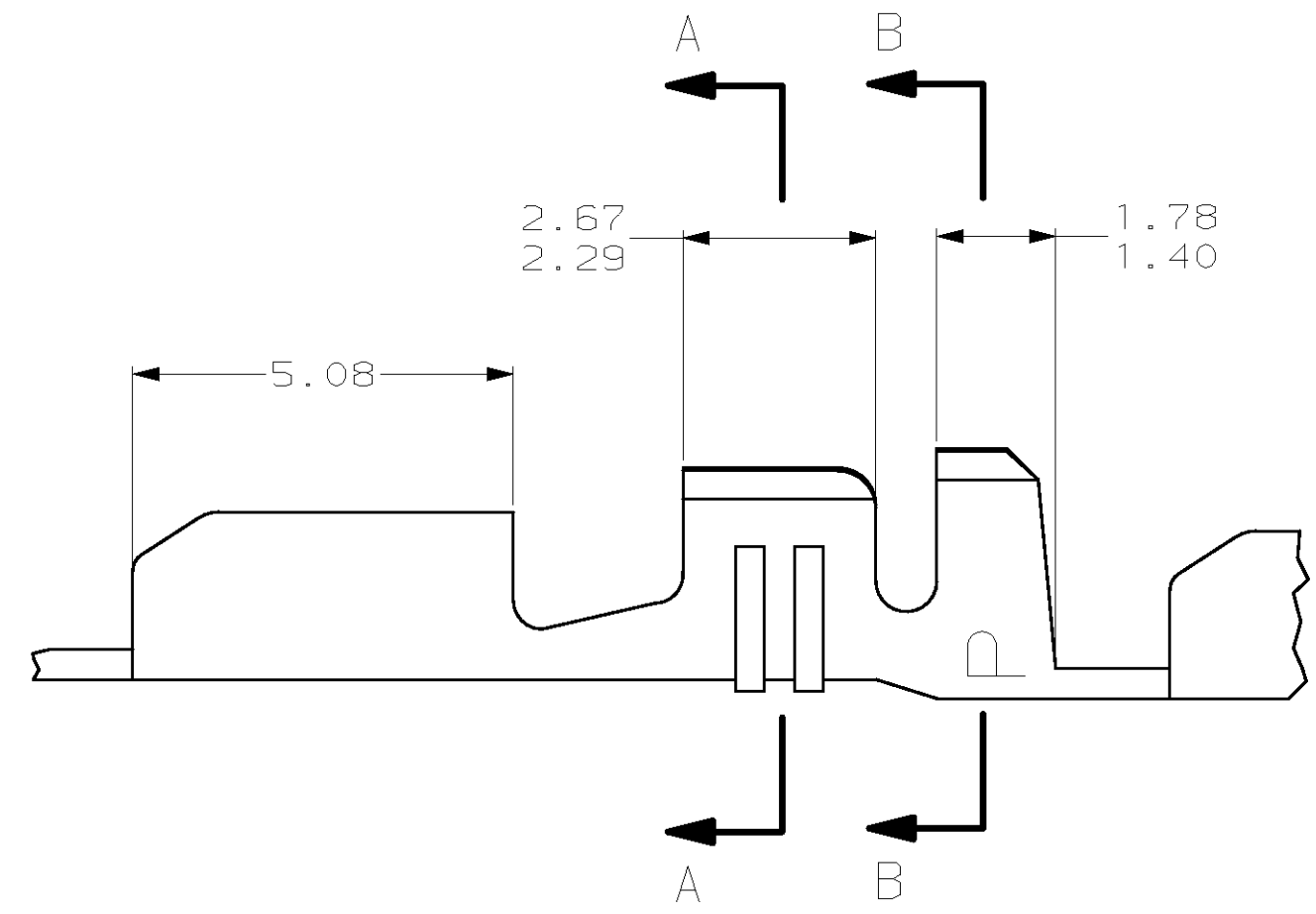
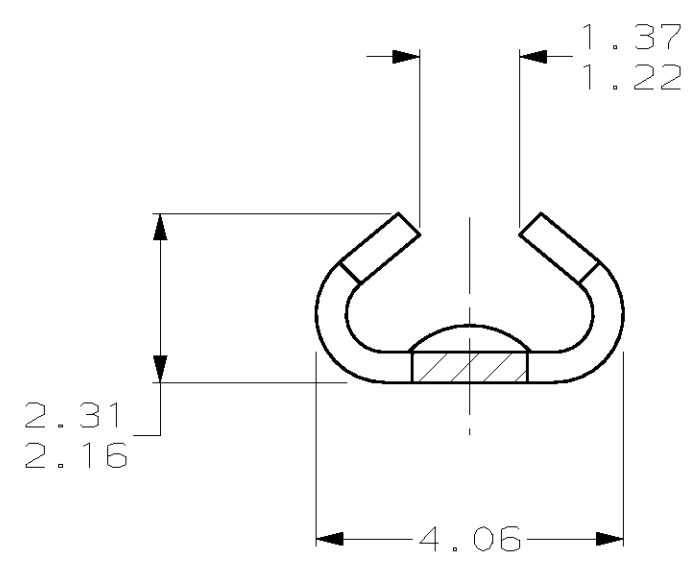
LOC		DIST		REVISIONS			
P	LTR	DESCRIPTION	DATE	DWN	APVD		
G		REV & REDWN PER EC 0L30-0096-97	1-30-97	TB	RS		



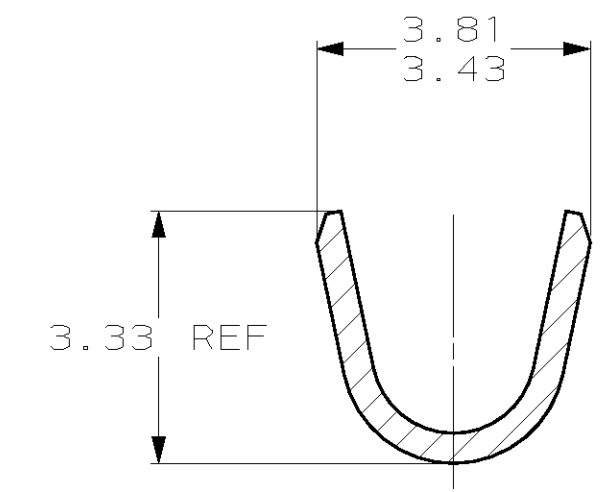
1. WIRE RANGE: 0.3 - 0.9 MM² (22 - 18 AWG)
2. INSULATION RANGE: 0.51 - 1.27



RECOMMENDED CUT OUT FOR 1.57 THICK P.C. BOARD



SECTION A-A



SECTION B-B

1.22	.048	2.29	.090	3.81	.150	-	-
0.86	.034	2.16	.085	3.43	.135	-	-
0.76	.030	2.03	.080	3.33	.131	13.89	.547
0.41	.016	1.78	.070	2.82	.111	13.64	.537
0.25	.010	1.63	.064	2.79	.110	12.24	.482
0.13	.005	1.57	.062	2.67	.105	5.72	.225
0.05	.002	1.40	.055	2.41	.095	5.08	.200
0.00	.000	1.37	.054	2.31	.091	4.06	.160
MM	IN	MM	IN	MM	IN	MM	IN

CONVERSION TABLE

METRIC

60156-2
PART NUMBER

THIS DRAWING IS A CONTROLLED DOCUMENT.		DWN	T. BECK	1-30-97
DIMENSIONS: mm		CHK	R. SWING	1-30-97
TOLERANCES UNLESS OTHERWISE SPECIFIED:		APVD	A. BEDDICK	2-05-97
0 PLC	±	NAME		
1 PLC	±	AMP Incorporated		
2 PLC	±0.13	Harrisburg, PA 17105-3608		
3 PLC	±	PRODUCT SPEC		
4 PLC	±	TERMINAL, 22-18 AWG, .080-.100 INSULATION, AMP-EDGE™		
ANGLES	±	APPLICATION SPEC		
MATERIAL	0.41 BRASS	FINISH		
CUSTOMER DRAWING		SCALE	10:1	SHEET 1 OF 1
REV G		RESTRICTED TO		