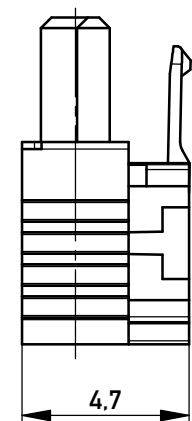
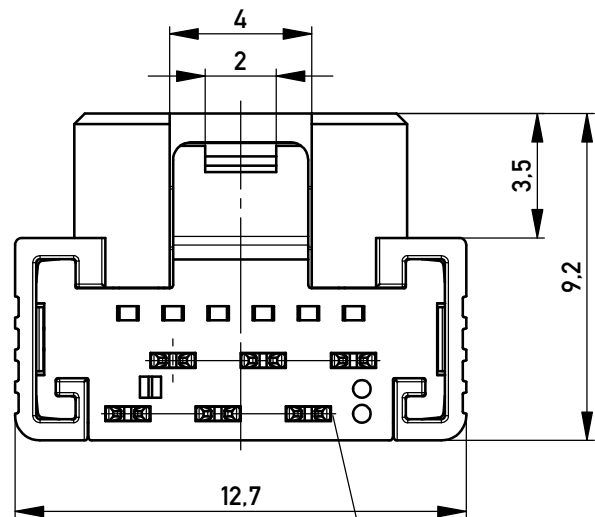
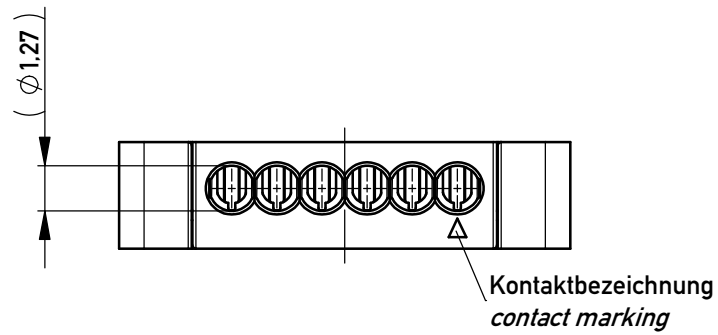
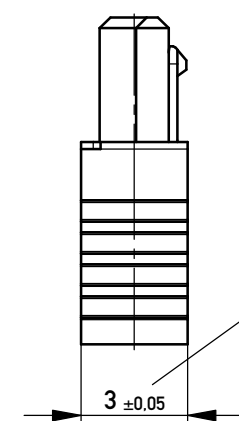


Verpackt in Tray - tray packaging
 Verpackungseinheit 168 Stück - packaging unit 168 pcs

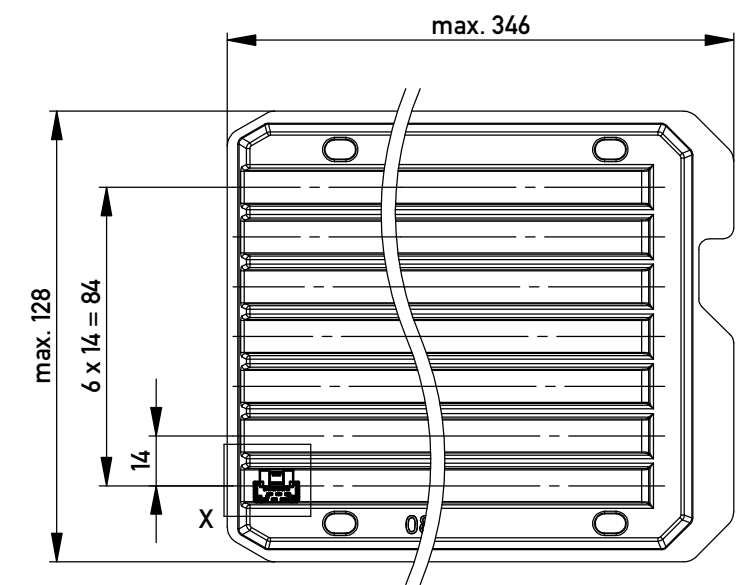


mit aufgesetzter
 Kabelführung
 (Anlieferungszustand)
 with cable guide mounted
 (state at time of supply)

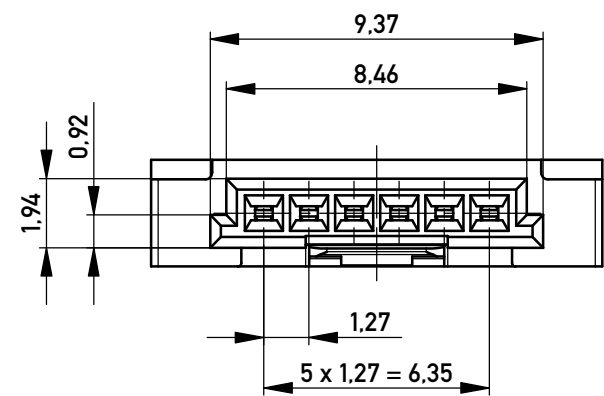
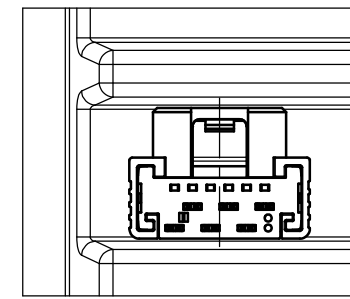


Kabelführung verpresst
 (cable guide pressed on)

Funktionsrelevantes
 Prüfmerkmal
 siehe Verarbeitungsspezifikation
 MiniBridge ERNI Electronics GmbH



Einzelheit X - detail X
 M 2:1



Federkontakt AWG 22 - Female Contact AWG 22
 Kabelführung $\varnothing 1,27$ - cable guide $\varnothing 1,27$

ohne Hilfsmittel lösbar
 without tool unlockable

| | | | | | | |
|--|--|---|----------------------|------------------------------|---------------|---|
| Copyright by ERNI GmbH Proprietary notice pursuant to ISO 16016 to be observed. | Information: | Tolerances | All Dimensions in mm | Scale | 5:1 | Designation F 1,27 SRC A IDC 06-pin d=1,27 AWG 22 Friction Lock |
| | All rights reserved. Only for Information. To ensure that this is the latest version of this drawing, please contact one of the ERNI companies before using. | Subject to modification without prior notice. Drawing will not be updated. | www.ERNI.com | Designation 464245 | Class SRCA | |
| a | 19.05.2015 | | | | | I A3 |
| Index | Date | | | | | |