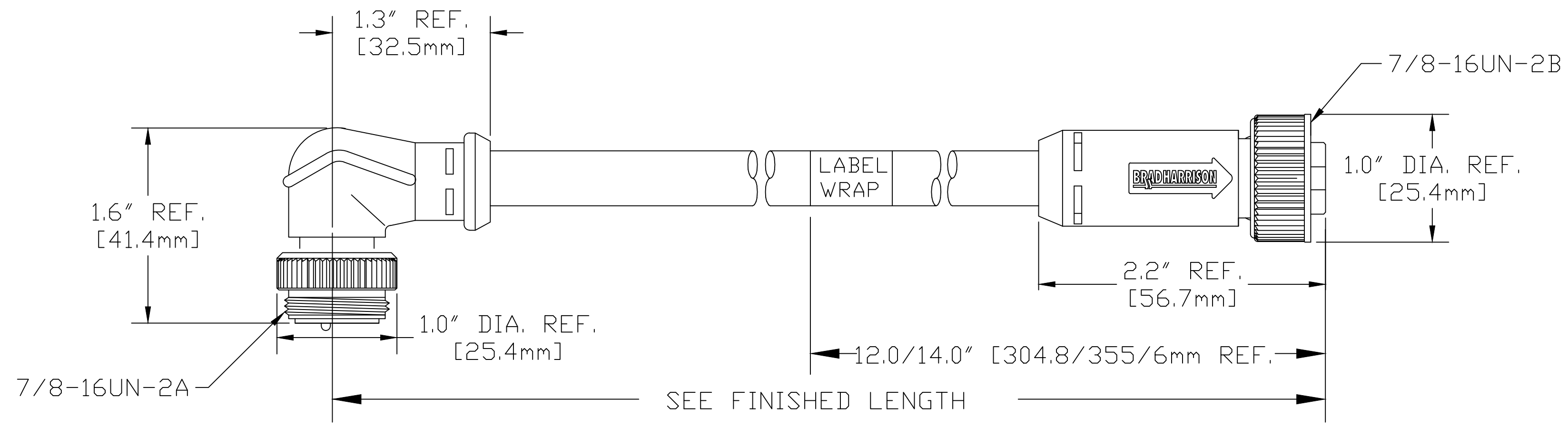


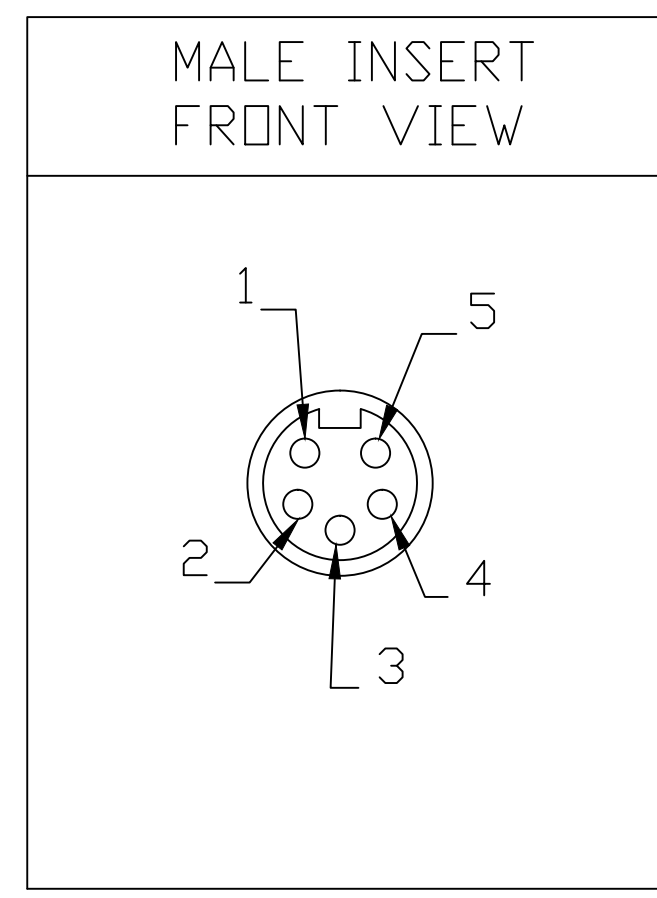
13	12	11	10	9	8	7	6	5	4	3	2	1
<b>MATERIAL NUMBER</b>	<b>OLD PART NUMBER</b>	<b>FINISHED LENGTH</b>										
1300250013	DNDF19A-M010	3.28' +3.50" -0 [1.0M +88.9mm -0]										



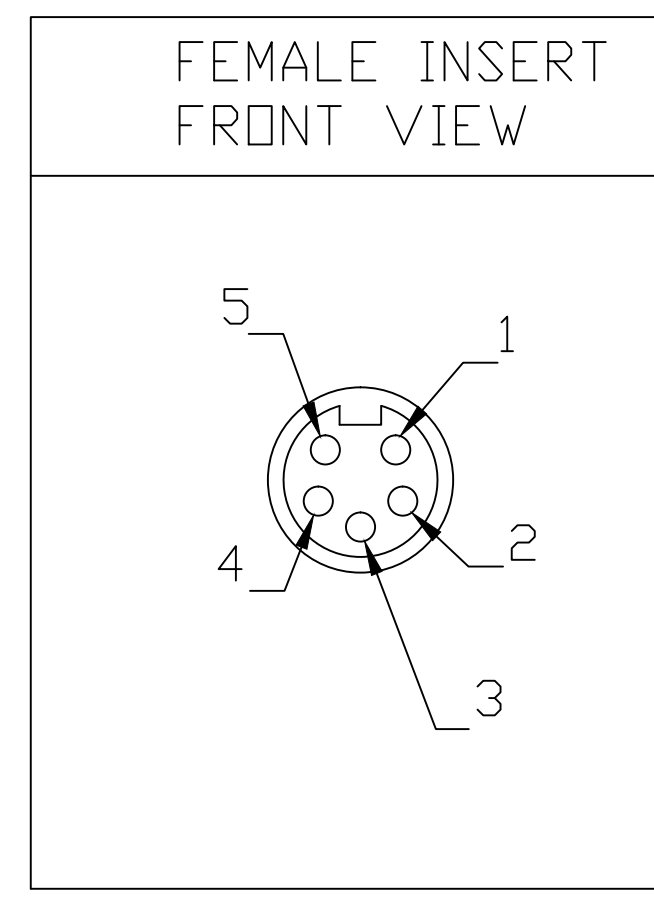
### DNDF19A-M010

Cable type  
DEVICENET  
FLEX DROP

cable length  
M010----1 Meter  
M100----10 Meter



CONTACT:	GOLD/NICKEL OVER COPPER ALLOY
INSERT:	PVC, GRAY
COUPLING NUT:	ZINC DIE CAST, BLACK E-COATED
MOLDED BODY:	PVC, GRAY
VOLTAGE RATING:	300 VAC/VDC
AMPERAGE RATING:	4 AMPS
PROTECTION:	IP67
OPERATING TEMPERATURE:	-20°C TO 80°C
CERTIFICATIONS:	UL RECOGNIZED FILE NO. E152210 CSA CERTIFIED FILE NO. LR6837



1	DRAIN	1
2	RED	2
3	BLACK	3
4	WHITE	4
5	BLUE	5

WIRING DIAGRAM

INITIAL RELEASE EC NO: IPG2014-0457 DRWN: GGUSTAFS 2013/08/30 CH'KD: BARDEN APPR: BWOODMAN2013/10/07 A	QUALITY SYMBOL ▽=0 ▽C=0	GENERAL TOLERANCES (UNLESS SPECIFIED) mm INCH 4 PLACES ±--- ±--- 3 PLACES ±--- ±.005 2 PLACES ±0.13 ±.010 1 PLACE ±0.25 ±.020 ANGULAR ±.5°	DIMENSION STYLE IN/MM DRAWN BY DATE EBRACKEN 2013/06/18 CHECKED BY DATE BARDEN 2013/09/12 APPROVED BY DATE BWOODMAN 2013/10/07	SCALE NTS DESIGN UNITS INCH THIRD ANGLE PROJECTION	TITLE <b>MINI-CHANGE DEVICENET          5 POL ST MALE 90D FEMALE          22/24 DROP CABLE GRAY TPE</b>	MOLEX INCORPORATED	MATERIAL NO. <b>SEE CHART</b>	DOCUMENT NO. <b>SD-130025-026</b>	SHEET NO. <b>1 OF 1</b>	
	DRAFT WHERE APPLICABLE MUST REMAIN WITHIN DIMENSIONS		THIS DRAWING CONTAINS INFORMATION THAT IS PROPRIETARY TO MOLEX INCORPORATED AND SHOULD NOT BE USED WITHOUT WRITTEN PERMISSION							