

5

4

3

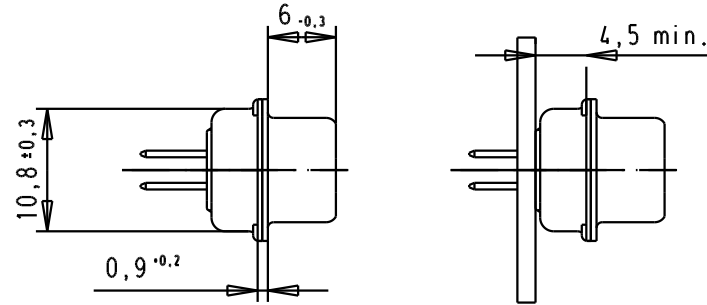
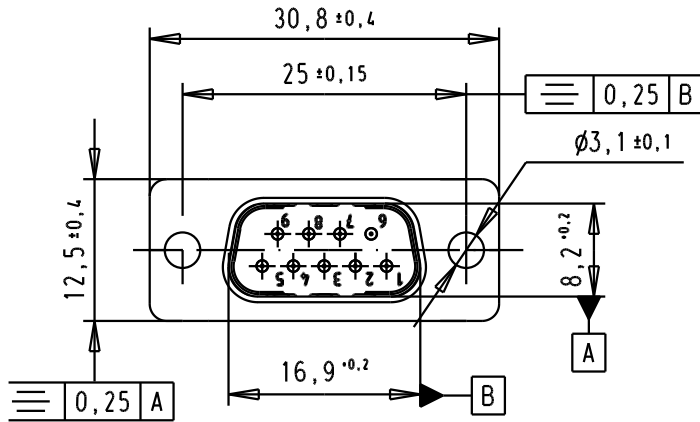
2

1

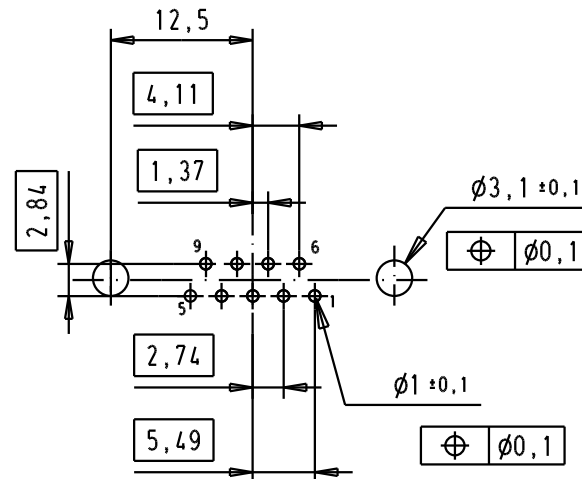
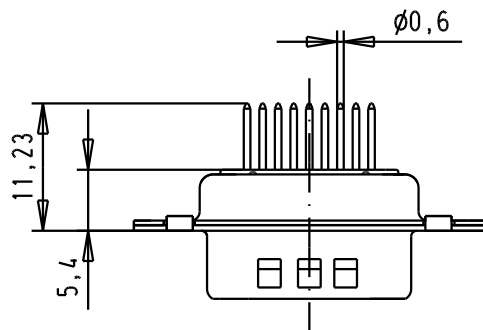
SPECIFICATION



Mating Cycles	500
Filter type	C
Capacitance	470pf±20%
Working Voltage	100v
Current Rating	7.5A
Insulation Resistance	>1GΩ

FREQUENCY (MHz)	ATTENUATION (dB)
5	-
10	1dB
50	10dB
100	15dB
500	35dB
1000	32dB



PCB Layout, Component side



				Dat.	Name	 <p>All Dim. in mm Orig. Size DIN A 4</p>
			Detail.	8-JUL-02	CV	
			Insp.			
			Stand.			
32802	11/07/05	JMDR	HARTING EURL			
31058	8-JUL-02	CV	F-95972 Paris			
Mod.	Dat.	Name				Sub.

D-Sub, male, straight, 9 Poles, with turned solder pin, fixing hole

Mo?Mslab/Scale

1.5:1

TB 09641227220

Blatt/ Page

1/1

D

C

B

A