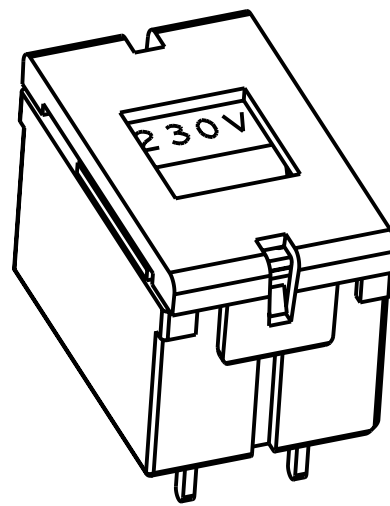
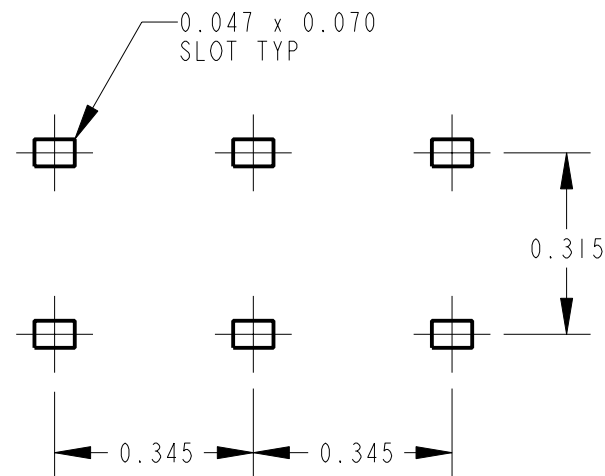


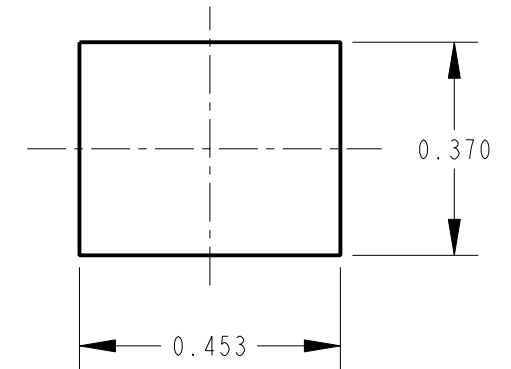
SCREWDRIVER SLOT
SEE NOTE 1



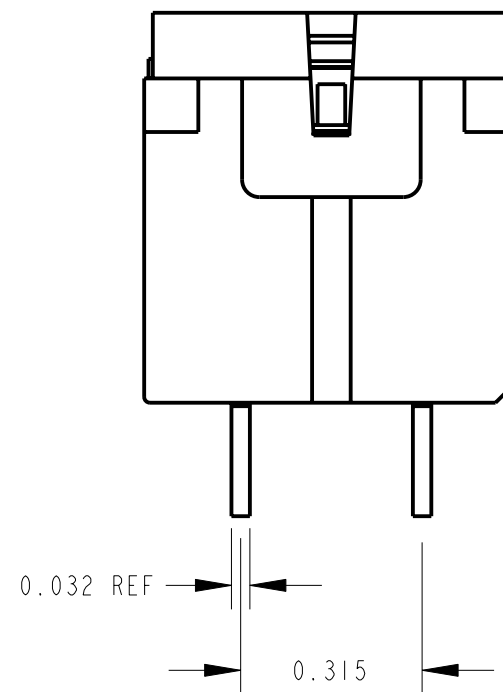
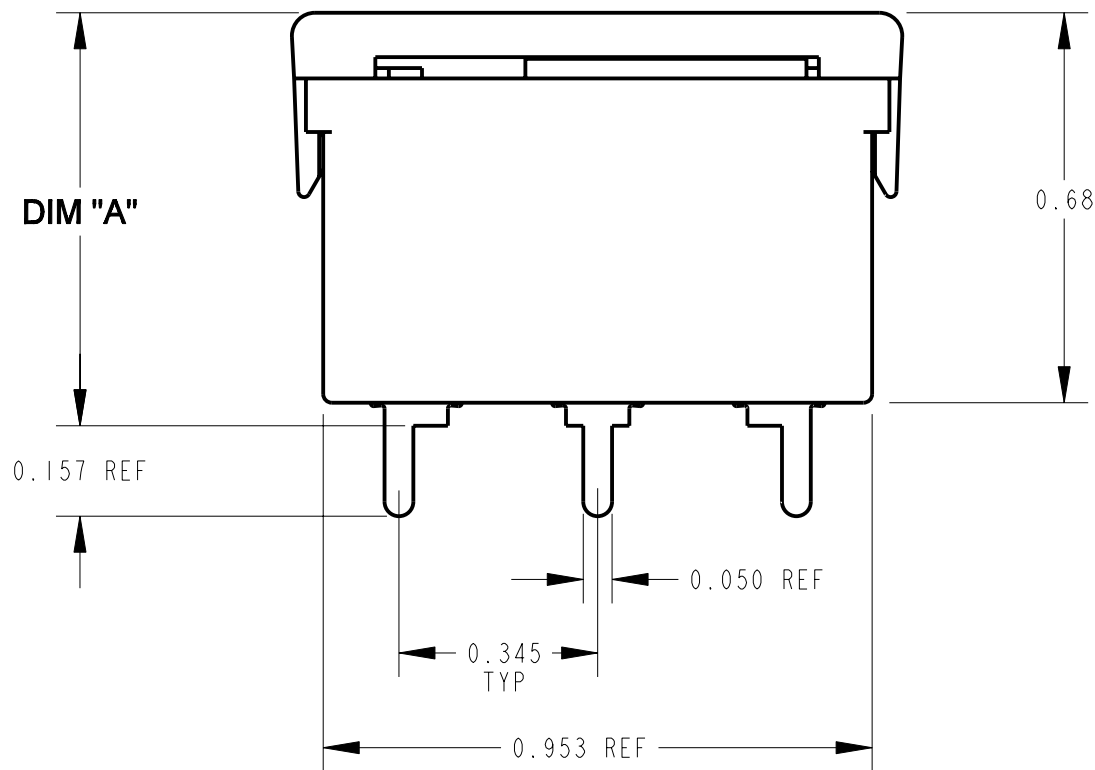
SCALE 2:1



RECOMMENDED
PC BOARD LAYOUT



RECOMMENDED
PANEL OPENING



SUPERSEDED
BY
ECO # 27466

PART NUMBER	DIM "A" SWITCH HEIGHT
EPS4PC1	0.717
EPS4PC2	0.755

CUSTOMER DRAWING

NOTES:

- 115V VISIBLE IN OTHER POSITION.
- THESE SWITCHES ARE NOT "VDE" CERTIFIED.

REV	ECO NUMBER	DATE	BY	APVD
D	21267	11/12/12	TJK	TJK
REVISIONS				

- ★ STAR SYMBOL DENOTES CRITICAL DIMENSION
- UNLESS OTHERWISE SPECIFIED
- 1. ALL DIMENSIONS IN INCHES
 - TWO PLACE DECIMALS ±0.01
 - THREE PLACE DECIMALS ±0.005
 - ANGLES ±1°
 - ALL DIA. CONCENTRIC WITHIN 0.005 T.I.R.
- 2. FEATURES ON THE SAME CENTERLINE MUST BE ALIGNED WITHIN ±0.002
- 3. REMOVE ALL BURRS

DO NOT SCALE DRAWING

THIS DRAWING DESCRIBES A DESIGN CONSIDERED PROPRIETARY IN NATURE, DEVELOPED AND MANUFACTURED BY SWITCHCRAFT INC. AND IS RELEASED ON A CONFIDENTIAL BASIS FOR IDENTIFICATION PURPOSES ONLY.											
SIZE		WIDTH		MULT		LBS/M		TEMPER			
FINISH SPEC No.						MATERIAL SPEC No.					
FIRST USED ON				SCALE 3:1				Switchcraft®			
DATE DRAWN	BY	CHKD	APVD	DATE DRAWN	BY	CHKD	APVD				
12-Nov-12	TJK	TJK	TJK	11/12/12	11/12/12	SHEET 1 OF 1					
NAME						PART No.		REV			
LINE VOLTAGE SLIDE SWITCH						EPS4PC1-EPC4PC2		D			