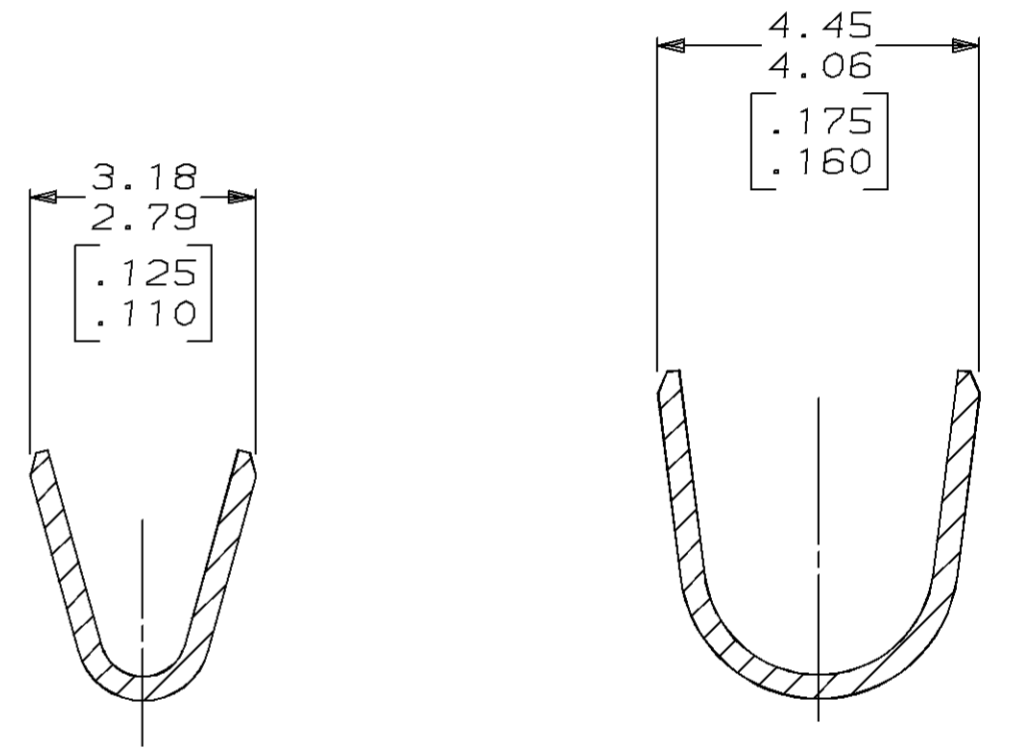
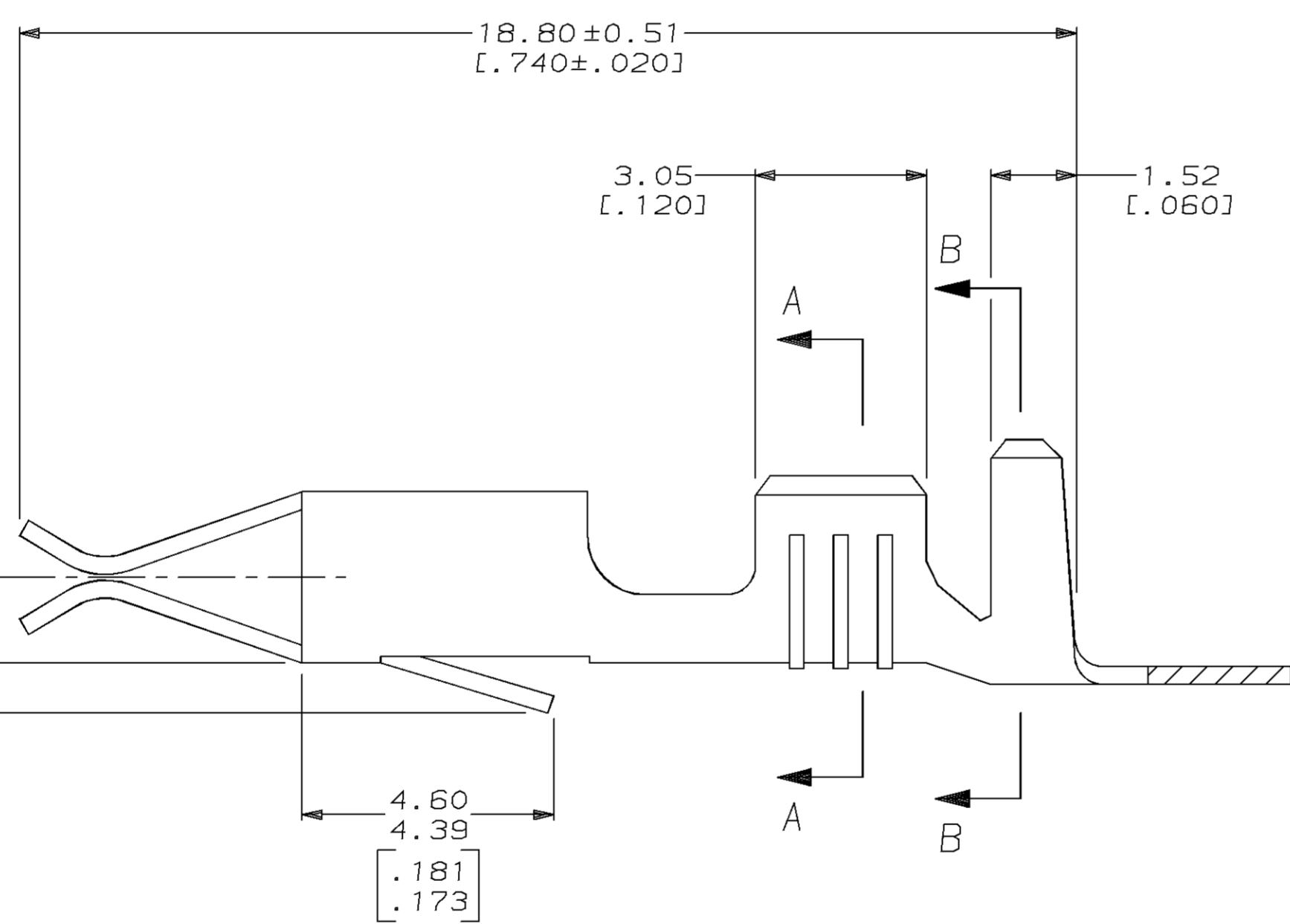
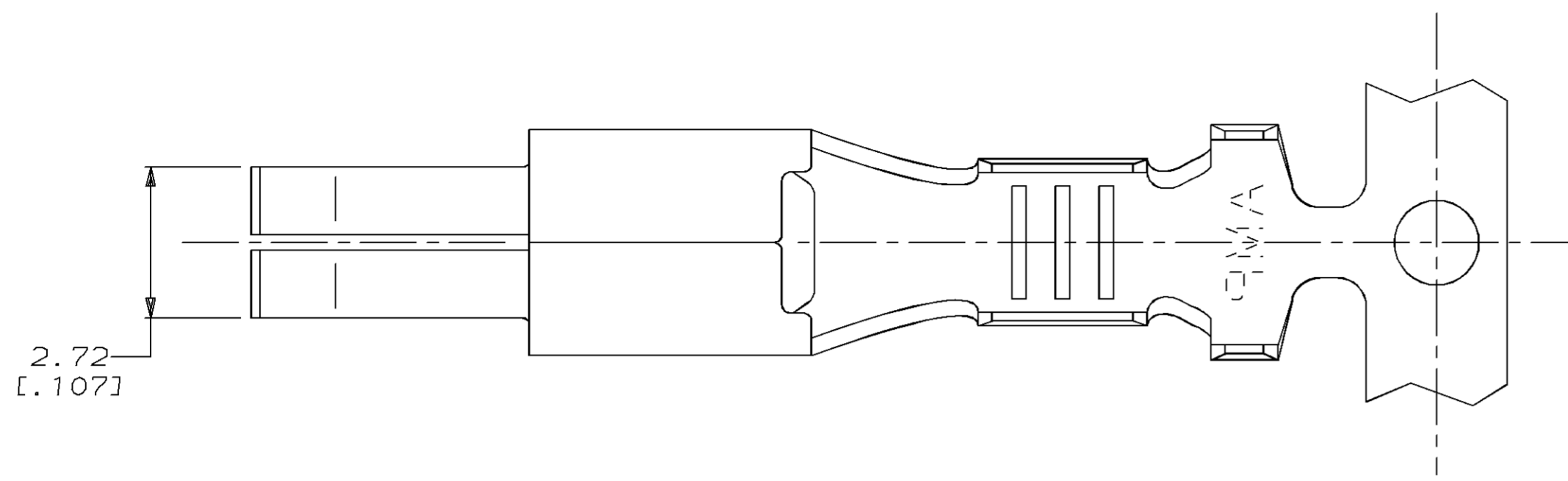


LOC	DIST	P	F	ZONE	LTR	DESCRIPTION	DATE	APPD
AF	50					G REV PER 0710-0427-95	27/SEP/95	PF DS

1. THIS IS THE DOMESTIC VERSION OF THE GERMAN PART NO. 925590.
2. WIRE RANGE: 0.5 - 1.4 mm² [20 - 16 AWG].
3. INSULATION RANGE: 2.29 - 3.30 [.090 - .130] DIA.
4. DIMENSIONS IN BRACKETS ARE IN INCHES.



FINISH	MATERIAL	PART NO
PRE-TIN	0.30 [.012] PH BRZ	643222-2
PRE-TIN	0.30 [.012] BRASS	643222-1

METRIC

THIS DRAWING IS A CONTROLLED DOCUMENT FOR AMP INCORPORATED. IT IS SUBJECT TO CHANGE AND THE CONTROLLING ENGINEERING ORGANIZATION SHOULD BE CONTACTED FOR THE LATEST REVISION.

DO NOT SCALE PRINT. UNLESS SPECIFIED DIMENSIONS IN mm [INCHES] TOLERANCES ON : 2 PLC DEC ± 0.13 [.005] 3 PLC DEC ± - ANGLES ± -	DR 4-12-93 T. BECK CHK 4-12-93 R. SWING APPD 10-6-93 G. MARTIN APPD 10-6-93 G. MARTIN PRODUCT SPEC -	AMP AMP Incorporated Harrisburg, PA 17105-3608	
SEE TABLE	NAME	RECEPTACLE, MINI-SPRING	
FINISH SEE TABLE	APPLICATION SPEC -	SIZE C	CAGE CODE 00779
	WEIGHT -	DRAWING NO G=643222	SHEET 1 OF 1