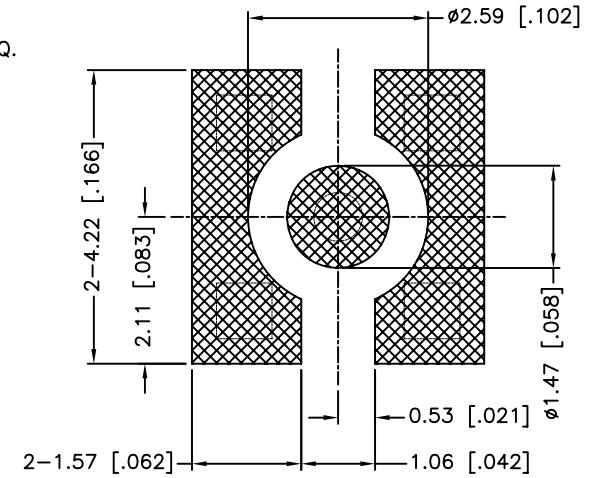
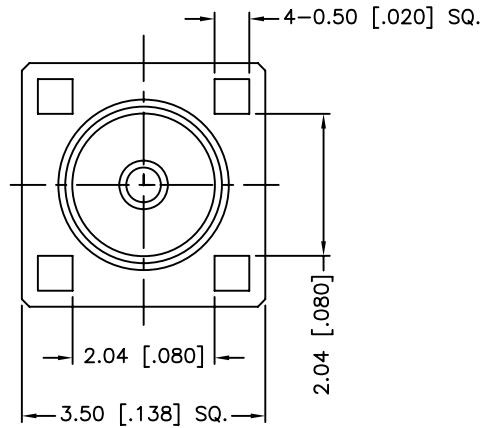
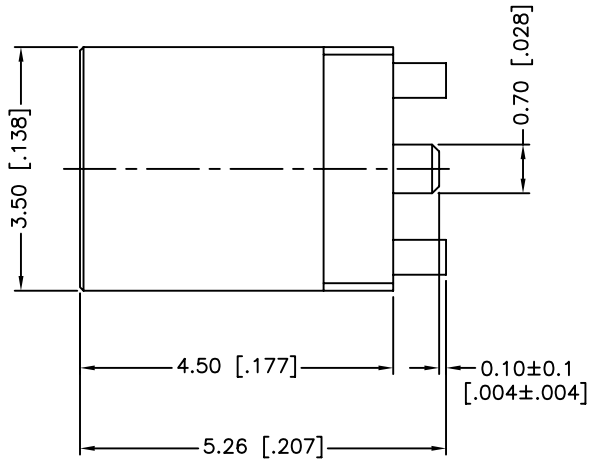
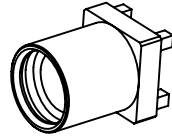


| REV. | DATE | ECR NO. | DESCRIPTION |
|------|----------|---------|--|
| NC | 05/18/99 | XXXXXX | INITIAL RELEASE |
| A | 05/26/11 | XXXXXX | UPDATE DRAWING FORMAT |
| B | 07/15/11 | 2199 | ECR 2199 |
| C | 03/15/13 | 2435 | ADD RECOMMENDED PCB LAYOUT, ADD ELECTRICAL SPEC. UPDATE DRAWING FORMAT |
| D | 07/31/13 | 2505 | MODIFY RECOMMENDED PCB LAYOUT |



RECOMMENDED MOUNTING PATTERN

1. IMPEDANCE: 50 OHM
2. FREQUENCY RANGE: 0-6 GHZ
3. VSWR: 1.3 MAX.
4. DIELECTRIC WITHSTANDING VOLTAGE: 500 VRMS, MIN.
5. DURABILITY: 500 CYCLES MIN.
6. TEMPERATURE RANGE: -65°C TO +165°C

| QTY | DESCRIPTION | MATERIAL | FINISH |
|-----|-------------|-------------|---------|
| 1 | CONTACT PIN | BER. COPPER | GOLD |
| 1 | INSULATOR | PTFE | NATURAL |
| 1 | BODY | BRASS | GOLD |

UNLESS OTHERWISE SPECIFIED DIMENSIONS ARE IN MILLIMETERS. DIMENSIONS IN [] ARE IN INCHES AND FOR CUSTOMER REFERENCE ONLY.
 UNLESS OTHERWISE SPECIFIED
 TOLERANCES FOR MILLIMETERS ARE:
 <0.5 ± 0.05mm
 0.5 - 6mm ± 0.10mm
 6 - 30mm ± 0.20mm
 30 - 120mm ± 0.30mm
 ANGLES ± 1°
 UNLESS OTHERWISE SPECIFIED
 TOLERANCES FOR INCHES ARE:
 <.020 ± 0.002"
 .020 - .236 = ± 0.004"
 .236 - 1.180 = ± 0.007"
 1.180 - 4.724 = ± 0.012"
 ANGLES ± 1°
 DO NOT SCALE DRAWING

| APPROVALS | DATE |
|-------------------------------|----------|
| DRAWN M.ZHANG | 07/31/13 |
| CHECKED | |
| ISSUED | |
| SHEET 1 OF 1 | |
| CAD FILE C:/CONNEX/262109.DWG | |

| | | | |
|--------------------------------|------------|-------|----|
| <h1>Amphenol Connex</h1> | | | |
| PART DESCRIPTION | | | |
| MMCX SURFACE MOUNT JACK | | | |
| PART NO. | | | |
| 262109 | | | |
| DWG. NO. | 262109.DWG | REV. | D |
| SIZE | A | SCALE | NA |