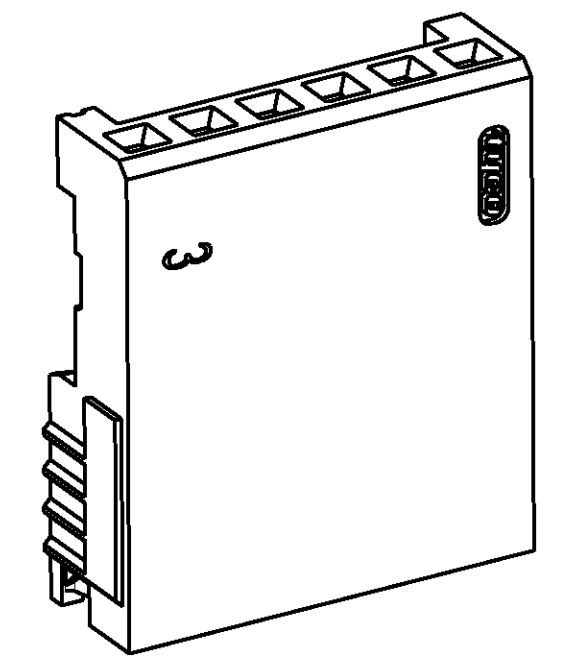
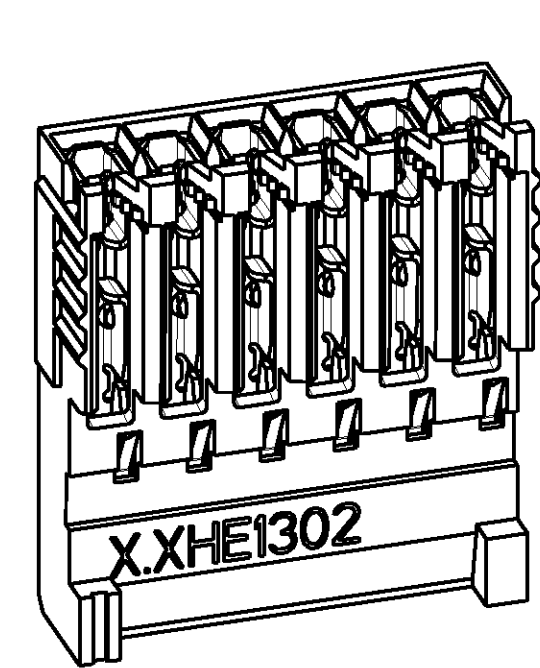
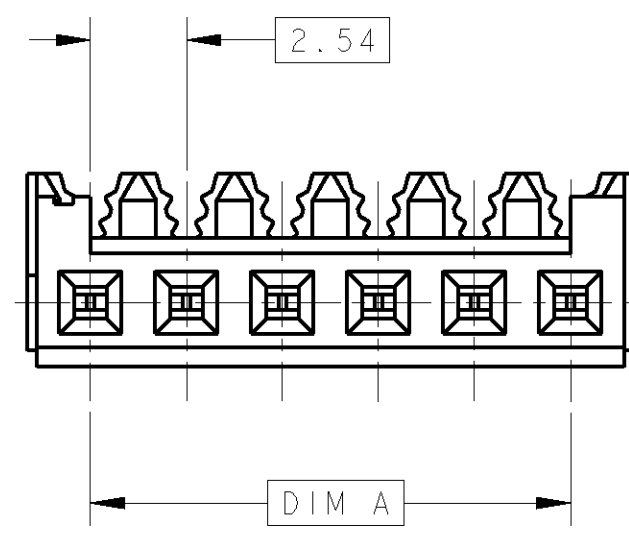


THIS DRAWING IS UNPUBLISHED. DIFFUSION RESTREINTE
 RELEASED FOR PUBLICATION LIBRE A LA DIFFUSION
 BY TYCO ELECTRONICS CORPORATION. ALL RIGHTS RESERVED. TOUS DROITS RESERVES

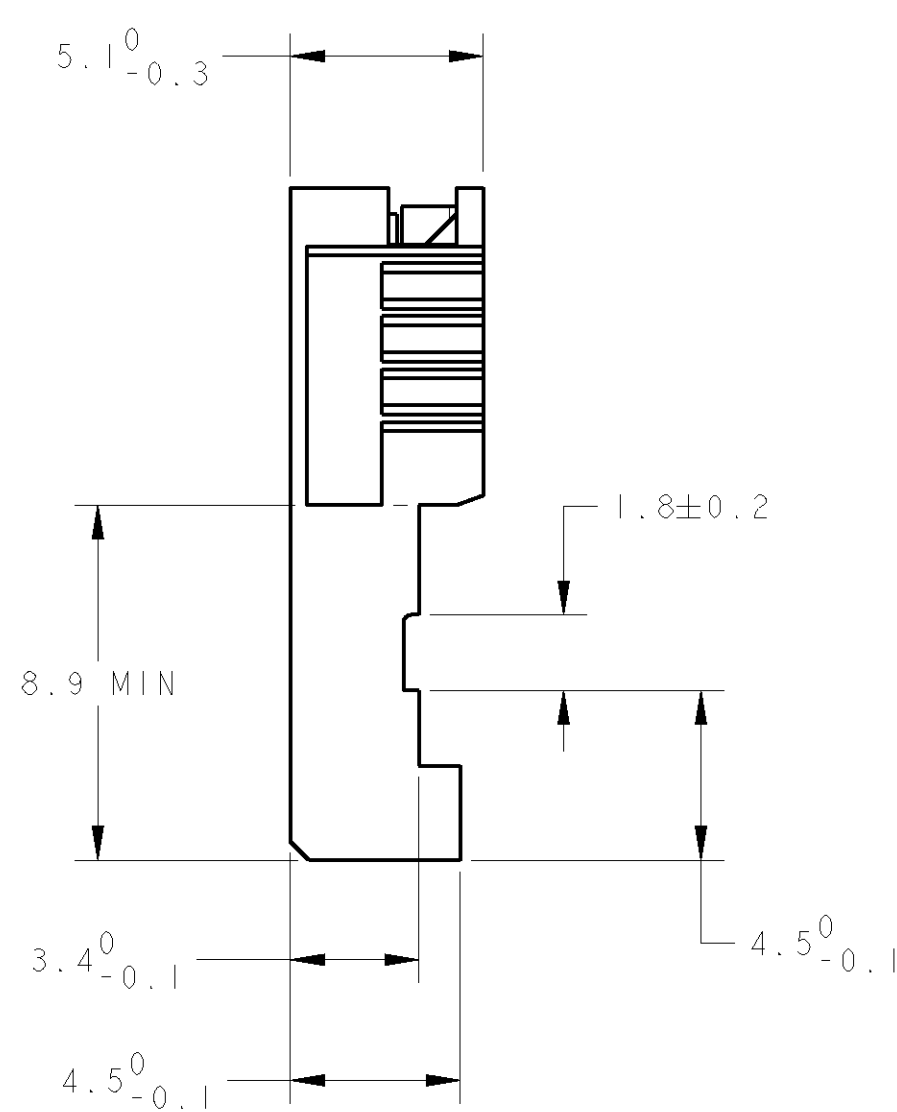
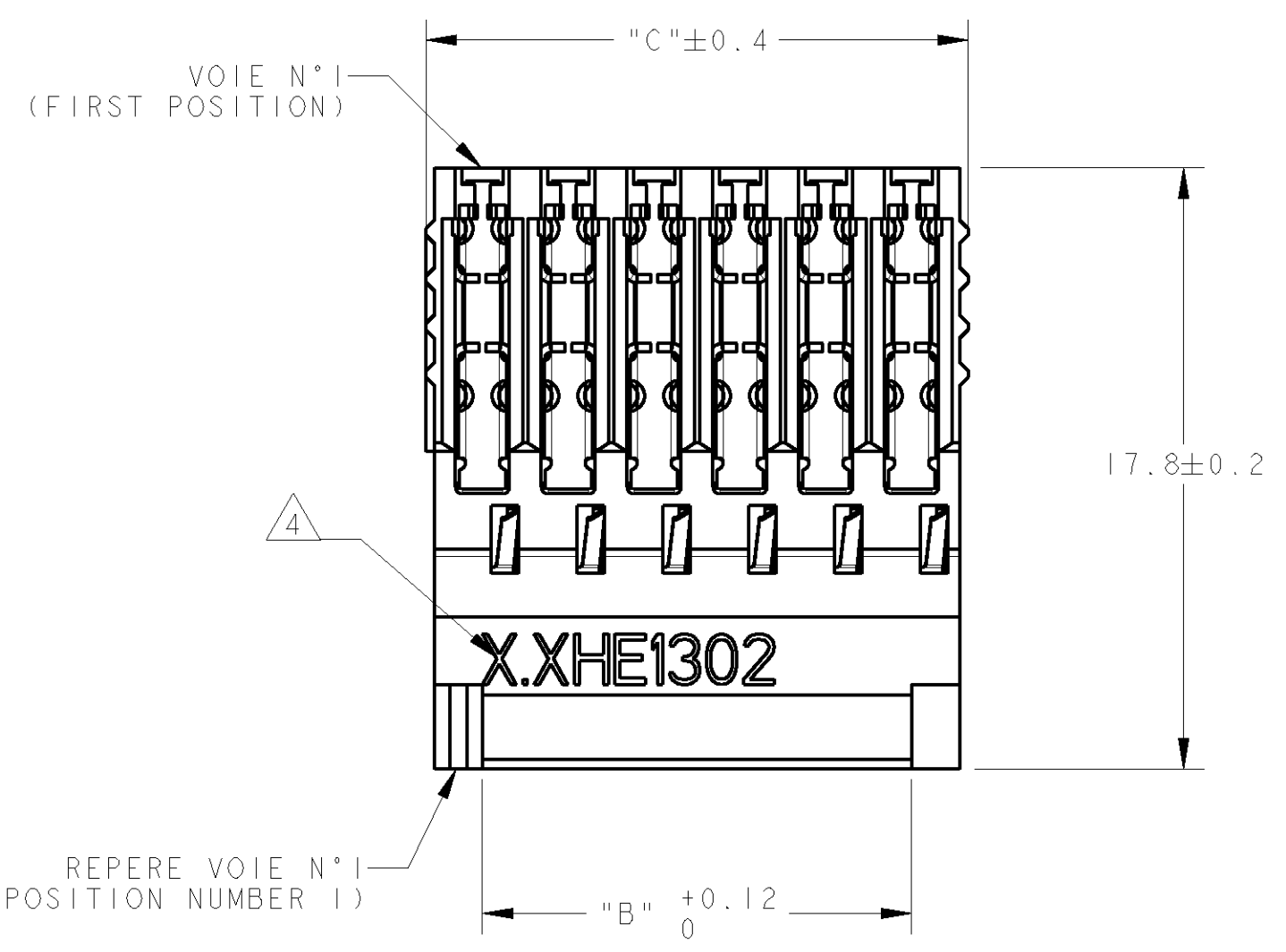
FILS ADMISSIBLES (ACCEPTABLES WIRES)	
JAUGE (AWG) SECTION / 7 BRINS (7 STRANDS)	28-26 0.08-0.12mm ²
ISOLANT: Ø MAX / MATIERE (INSUL.: Ø MAX / MAT'L)	Ø 1 / PVC

REVISONS		DATE	DWN DESS.	APVD APP.
P	LTR	DESCRIPTION MODIFICATIONS		
	A	REDESSINE	06/90	AC -
	B	REDESSINE SUR (REDRAWN ON) PRO/ENG	10SEP2002	CC YP
	C	UPDATED	28MAR2007	TC YP



SCALE 4:1

SCALE 4:1



- 1 CES CONNECTEURS SONT PREVUS POUR ETRE ACCOUPLES AVEC LES EMBASES 'HE1302' SIMPLE RANGEE (THESE CONNECTORS ARE DESIGNED TO BE MATED WITH 'HE1302' HEADERS SINGLE ROW)
- 2 LES REFERENCES SUIVIES D'UN ' * ' SONT LES VERSIONS NORMALISEES SELON LA 'CEI 603-8' (THE PART-NO FOLLOWED BY ' * ' ARE COVERED BY THE INTERNATIONAL STANDARD 'IEC603-8')
- 3 REVETEMENT DES CONTACTS: 0.38µm D'OR DANS LA ZONE DE CONTACT, ETAIN SUR LA SORTIE CAD, SOUS-COUCHE NICKEL (CONTACTS PLATING: 0.38µm GOLD ON CONTACT AREA, TIN ON I.D. BARREL AREA, NICKEL UNDERPLATING)
- 4 8.6 SIGNIFIE JAUGE 28-26 (8.6 REFERS TO 28-26 AWG)
- 5 MATIERES - BOITIER: PBT UL94V0, BLEU - CONTACTS: BRONZE PHOSPHOREUX. (MATERIAL - HOUSING : PBT UL94V0, COLOR BLUE - CONTACTS: PHOSPHOR BRONZE)

46.52	43.18	18	1-281787-8	*
38.90	35.56	15	1-281787-5	*
31.28	27.94	12	1-281787-2	*
26.20	22.86	10	1-281787-0	*
21.12	17.78	8	0-281787-8	*
16.04	12.70	6	0-281787-6	*
13.50	10.16	5	0-281787-5	*
10.96	7.62	4	0-281787-4	*
8.42	5.08	3	0-281787-3	*
5.88	2.54	2	0-281787-2	*
C	A, B	Nb DE POS	REFERENCES (PART No)	
DIMENSIONS				

THIS DRAWING IS A CONTROLLED DOCUMENT FOR TYCO ELECTRONICS CORPORATION IT IS SUBJECT TO CHANGE AND THE CONTROLLING ENGINEERING ORGANIZATION SHOULD BE CONTACTED FOR THE LATEST REVISION. CE PLAN EST UN DOCUMENT CONTROLÉ PAR AMP INCORPORATED. IL EST SUSCEPTIBLE D'ÊTRE REVISÉ, CONTACTER LE SERVICE TECHNIQUE D'AMP DE FRANCE POUR OBTENIR LA DERNIÈRE RÉVISION.		DWN/DESSINE 29NOV2000 C. COMBEDOUZON CHK/VERIFIE 29NOV2000 T. CORRIOU APVD/APPROUVE 29NOV2000 Y. PETRONIN	AMP DE FRANCE 95301 PONTOISE
DIMENSIONS: mm 	TOLERANCES UNLESS OTHERWISE SPECIFIED: (SUIV NB DE DECIMALES) 0 PLC/DEC: ± 1 PLC/DEC: ±0.3 2 PLC/DEC: ± 3 PLC/DEC: ± 4 PLC/DEC: ± ANGLES ±5°	PRODUCT SPEC 108-15053 APPLICATION SPEC 114-15031 WEIGHT MASSE APPROX. - CUSTOMER DRAWING /PLAN CLIENT	NAME TITRE HE 1302 PLUG, 180° IDC SINGLE ROW SIZE FORMAT A2 CAGE CODE 00779 DRAWING NO No PLAN C-281787 RESTRICTED TO RESERVE A - REV C
MATERIAL/MATIERE	FINISH/FINITION	UNIQUEMENT POUR REFERENCE	SCALE ECHELLE 5:1