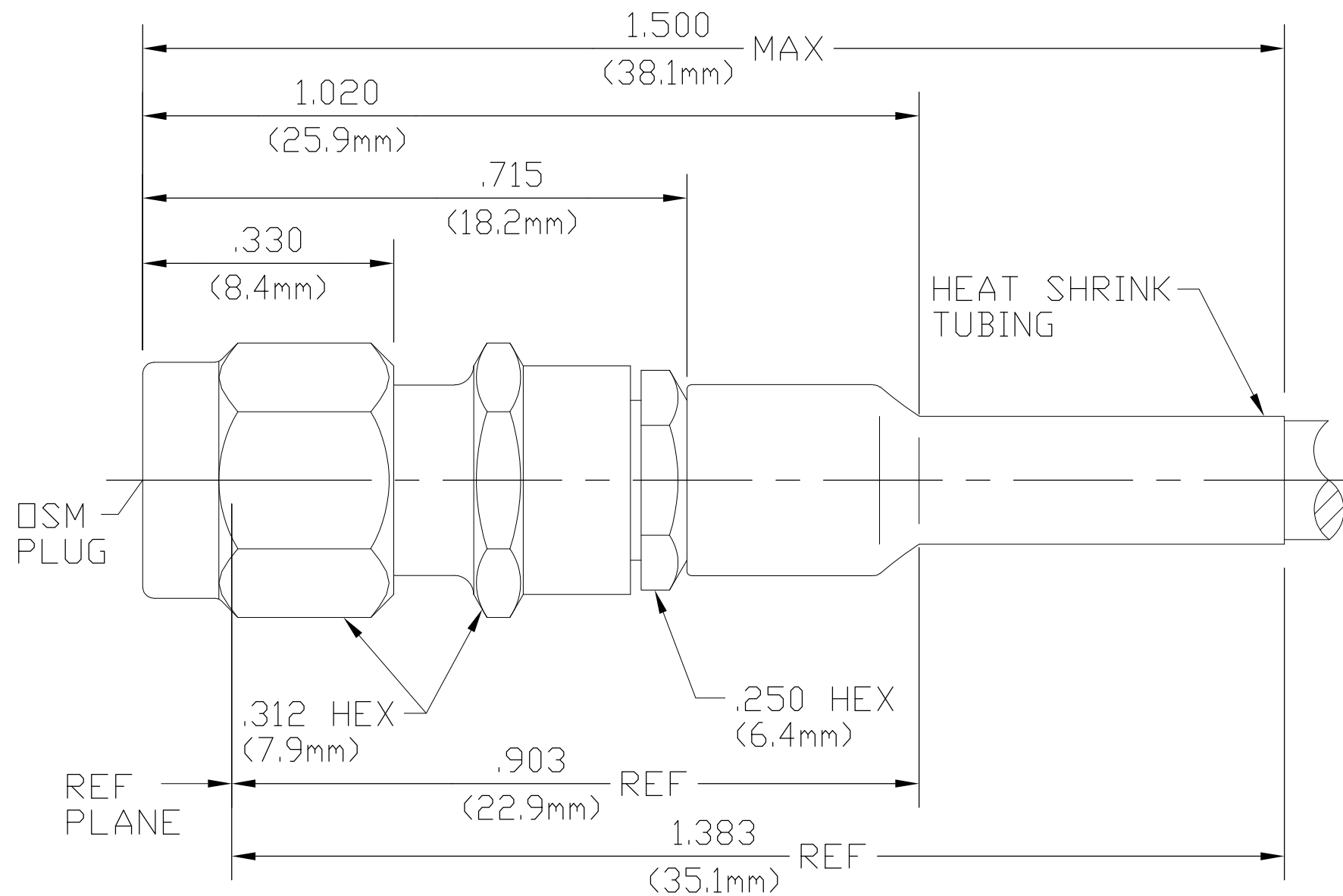


THIS DRAWING IS UNPUBLISHED. RELEASED FOR PUBLICATION
 © COPYRIGHT BY TYCO ELECTRONICS CORPORATION. ALL RIGHTS RESERVED.

CABLE ENTRY DIAMETER MINIMUM	
CONTACT	.040
SLEEVE	.119

LOC		DIST		REVISIONS					
AJ		00		P	LTR	DESCRIPTION	DATE	DWN	APVD
				B		REV PER ECO 07-004710	3/12/90	DW	KW



1051690-1
PART NUMBER

- NOTES:
 1. DESIGNED FOR USE WITH SF-142B CABLE
 2. CAPTURED CENTER CONTACT

ELECTRICAL	MECHANICAL	ENVIRONMENTAL
Nominal Impedance (Ohms) <u>50</u>	Interface Dimensions <u>MIL-STD-348</u>	TEMPERATURE RATING <u>-65°C- +165°C</u>
Frequency Range (GHz) <u>DC-12.4</u>	Recommended Mating	Vibration - MIL-STD-202, Method 204, Condition D, 20 Gs
Volt Rating (VRMS MAX) <u>335</u>	Torque <u>7-10 IN/Lbs</u>	Shock - MIL-STD-202, Method 213, Condition I, 100 Gs
VSWR <u>1.1 +.01(f)</u>	Mating Characteristics:	Temp. Cycling - MIL-STD-202, Method 107, Condition B
Insertion Loss (dB MAX) <u>.06 √f</u>	Insertion (MAX Lbs) <u>3.0</u>	EXCEPT HIGH TEMP <u>200°C</u>
RF Leakage (dB) <u>60-(f)</u>	Withdrawal (MIN Oz) <u>1.0</u>	Moisture Resistance - MIL-STD-202, Method 106
Corona, 70 Ft (VRMS MIN) <u>250</u>	Connector Engagement and Disengagement (In/Lbs MAX) <u>2.0</u>	Corrosion - MIL-STD-202, Method 101, Condition B, 5% salt spray
Dielectric Withstanding Voltage (VRMS MIN) <u>1500</u>	Center Contact Captivation:	
Contact Resistance (Milliohms MAX)	Axial <u>6 Lbs</u>	
Center Contact <u>3.0</u>	Radial <u>N/A</u>	
Outer Contact <u>2.0</u>	Cable Retention <u>45 Lbs</u>	
RF High Potential (VRMS MIN @ 5 MHz) <u>650</u>	Weight (Grams) <u>TBS</u>	
I.R. (Megohms) <u>10,000</u>		

COMPONENT	MATERIAL	FINISH
HOUSING COUPLING NUT CLAMP NUT SLEEVE	STAINLESS STEEL PER ASTM-A484 AND ASTM-A582, TYPE 303	PASSIVATE PER ASTM-A380
DIELECTRIC	TFE FLUOROCARBON PER ASTM-D-1457, MIL-P-19468, AND FED. SPEC L-P-403	N/A
CENTER CONTACT	BERYLLIUM COPPER PER QQ-C-530, ALLOY 173 OR BRASS PER ASTM-B-16	GOLD PLATE PER MIL-G-45204 OVER COPPER PLATE PER MIL-C-14550
RETAINING RING	BERYLLIUM COPPER PER QQ-C-533 CLASS 1 (KOVAR)	N/A
GASKET	SILICONE RUBBER PER ZZ-R-765	N/A
SHRINK TUBING	HEAT SHRINKABLE POLYOLEFIN COMPOUND MIL-I-23053-11	N/A
FERRULE	SOFT COPPER ALLOY	GOLD PLATE PER MIL-G-45204 OVER COPPER PLATE PER MIL-C-14550

THIS DRAWING IS A CONTROLLED DOCUMENT.		DWN E.F.HOYLE 1/15/90	Tyco Electronics Corporation Harrisburg, PA 17105-3608	
DIMENSIONS: INCHES		CHK BB 1-31-90		
TOLERANCES UNLESS OTHERWISE SPECIFIED:		APVD NGB 1-31-90	NAME STRAIGHT CABLE PLUG CRIMP ATTACHMENT	
0 PLC ± -		PRODUCT SPEC	SIZE CAGE CODE DRAWING NO RESTRICTED TO	
1 PLC ± -		APPLICATION SPEC	A2 00779 C=1051690	
2 PLC ± -		WEIGHT	SCALE 5:1 SHEET 1 of 1 REV B	
3 PLC ± .005		CUSTOMER DRAWING		
4 PLC ± -				
ANGLES ± 1°				
FINISH				