

SACB- 6/3-L-C-M8 HD GG - Sensor/actuator box header



1197606

<https://www.phoenixcontact.com/us/products/1197606>

Please be informed that the data shown in this PDF document is generated from our online catalog. Please find the complete data in the user documentation. Our general terms of use for downloads are valid.



Sensor/actuator box header, application: Standard, connection method: M8 socket Metal, number of slots: 6, number of positions: 3, coding: A, slot assignment: single, status display: Yes, pnp; master cable connection: Plug-in master cable connection, shielding: no

Your advantages

- Safety in the field, thanks to molded housing and high degree of protection
- Convenient: increased machine availability thanks to quick and easy diagnostics
- Flexible: distributor box with connector hood for on-site assembly

Commercial data

| | |
|--------------------------------------|---------------|
| Item number | 1197606 |
| Packing unit | 1 pc |
| Minimum order quantity | 1 pc |
| Sales key | BF40 |
| Product key | BF3BCD |
| GTIN | 4063151257446 |
| Weight per piece (including packing) | 119.4 g |
| Weight per piece (excluding packing) | 119.4 g |
| Customs tariff number | 85444290 |
| Country of origin | DE |

SACB- 6/3-L-C-M8 HD GG - Sensor/actuator box header



1197606

<https://www.phoenixcontact.com/us/products/1197606>

Technical data

Notes

| | |
|---------|--|
| General | NOTE: Observe the permissible bending radii when laying conductors, since the degree of protection may be put in jeopardy if the bending forces are too high. Alleviate mechanical loads upstream of the connector, e.g. by using cable ties. |
| General | Unused slots are to be sealed off prior to commissioning. Suitable sealing elements are to be found under "Accessories". |

Product properties

| | |
|---------------------|--------------------------------------|
| Product type | Header with metric measurement slots |
| Number of positions | 3 |
| Application | Standard |
| Number of slots | 6 |
| Coding | A |
| LED | yes |

System properties

Local diagnostics

| | |
|------------------------|----------------|
| Monitored function | Supply voltage |
| Optical representation | Green LED |

Electrical properties

| | |
|---|-------------------------------|
| Max. operating voltage U_{max} | 30 V DC |
| Local diagnostics | Supply voltage Green LED |
| | Status display I/O Yellow LED |
| Nominal voltage U_N | 24 V DC |
| Rated current, total | 8 A |
| Max. current carrying capacity per path | 2 A |
| Current carrying capacity per slot | 2 A |

Signaling

| | |
|------------------------|-----|
| Status display present | Yes |
|------------------------|-----|

Dimensions

| | |
|---------------------|-------|
| Dimensional drawing | |
| Width | 30 mm |

SACB- 6/3-L-C-M8 HD GG - Sensor/actuator box header



1197606

<https://www.phoenixcontact.com/us/products/1197606>

| | |
|--------|----------|
| Height | 17 mm |
| Length | 155.9 mm |

Material specifications

| | |
|--|------------|
| Material | Cu alloy |
| | PBT |
| | PUR |
| Seal material O-ring | FKM |
| Contact material | CuZn |
| Contact surface material | Ni/Au |
| Contact carrier material | PBT |
| Material of contact, master cable side | CU alloy |
| Material of the contact carrier on the master cable side | PA |
| Material of contact surface, master cable side | tin-plated |

Cable/line

| | |
|--|---------------------------------|
| Sensor/actuator connection system | M8 socket |
| Connection method | Plug-in master cable connection |
| Tightening torque, cover screw | 1 Nm |
| Tightening torque of mounting screw for fixing the housing | 0.8 Nm |

Environmental and real-life conditions

Ambient conditions

| | |
|---------------------------------|------------------|
| Degree of protection | IP67 |
| Ambient temperature (operation) | -25 °C ... 80 °C |

Standards and regulations

| | |
|--------------------------|-----------------|
| Standard designation | M8 connector |
| Standards/specifications | IEC 61076-2-104 |

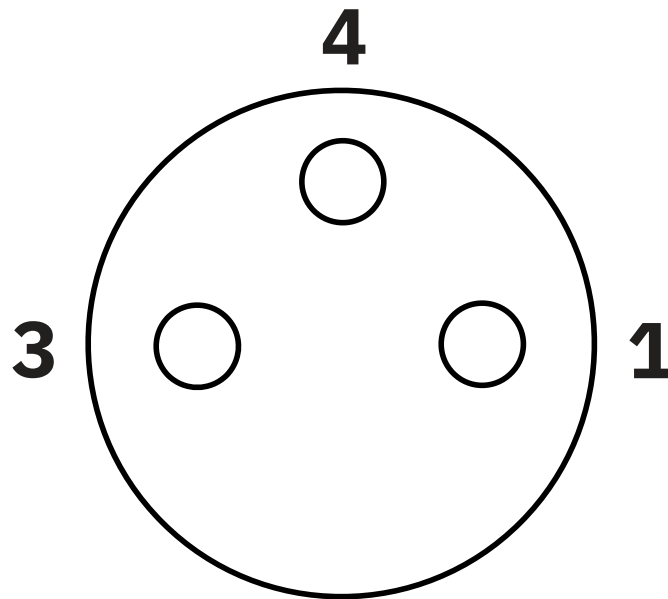
SACB- 6/3-L-C-M8 HD GG - Sensor/actuator box header

1197606

<https://www.phoenixcontact.com/us/products/1197606>

Drawings

Schematic diagram



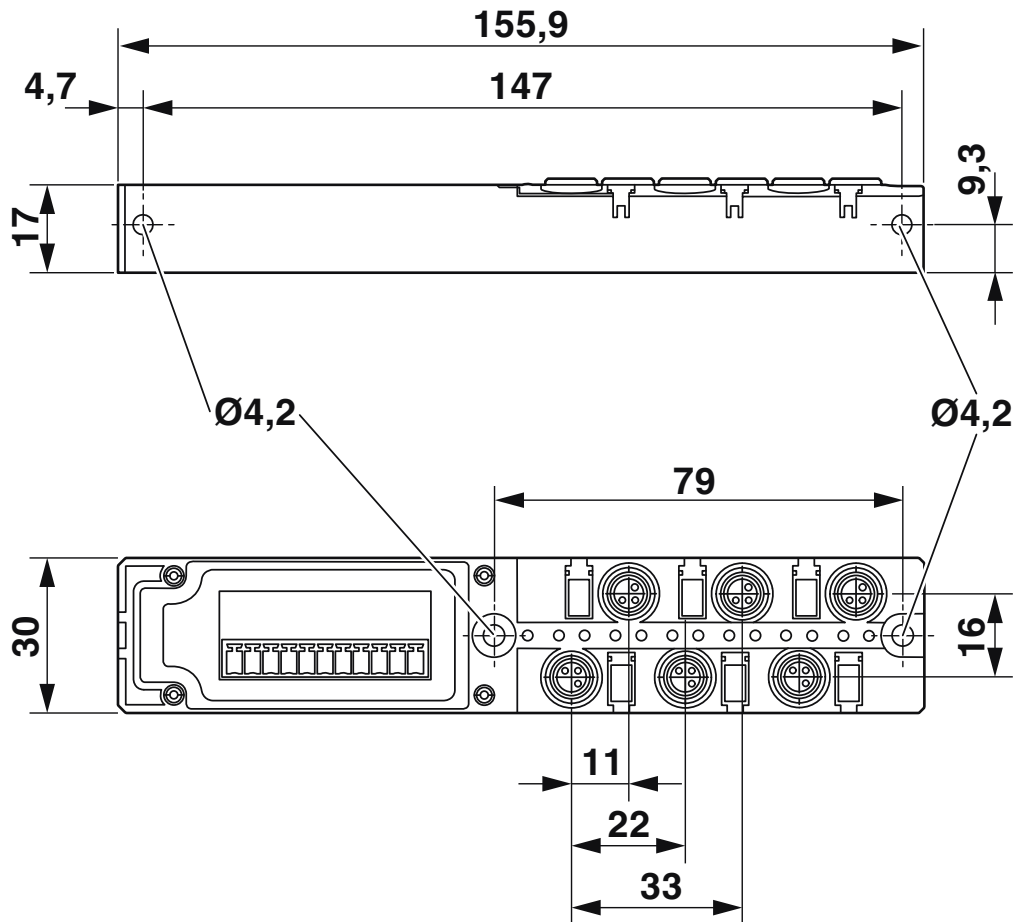
M8 slot, socket, 3-pos.

SACB- 6/3-L-C-M8 HD GG - Sensor/actuator box header

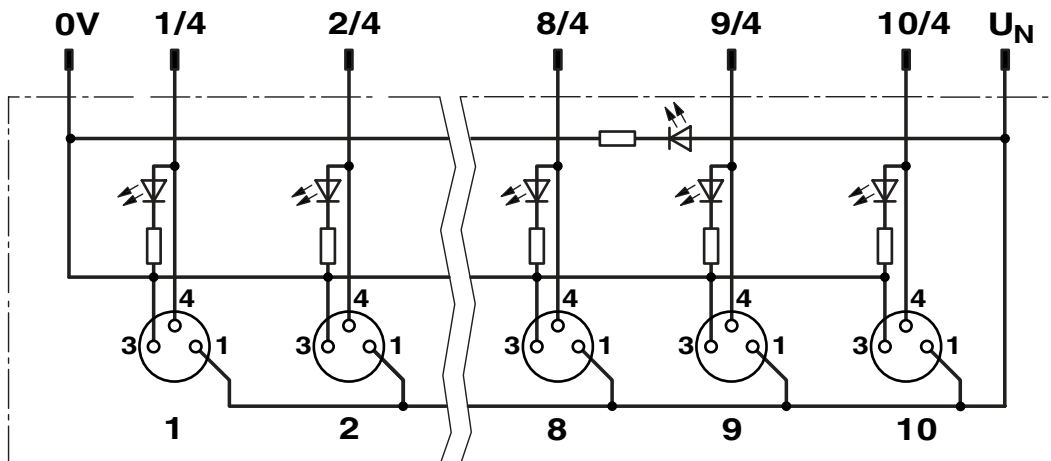
1197606

<https://www.phoenixcontact.com/us/products/1197606>

Dimensional drawing



Circuit diagram



SACB- 6/3-L-C-M8 HD GG - Sensor/actuator box header



1197606

<https://www.phoenixcontact.com/us/products/1197606>

Classifications

ECLASS

| | |
|-------------|----------|
| ECLASS-11.0 | 27440111 |
| ECLASS-12.0 | 27440111 |
| ECLASS-13.0 | 27440111 |

ETIM

| | |
|----------|----------|
| ETIM 8.0 | EC003558 |
|----------|----------|

UNSPSC

| | |
|-------------|----------|
| UNSPSC 21.0 | 31251500 |
|-------------|----------|

SACB- 6/3-L-C-M8 HD GG - Sensor/actuator box header



1197606

<https://www.phoenixcontact.com/us/products/1197606>

Environmental product compliance

| | |
|------------|--|
| REACH SVHC | Lead 7439-92-1 |
| China RoHS | Environmentally Friendly Use Period = 50 years |
| | For information on hazardous substances, refer to the manufacturer's declaration available under "Downloads" |

SACB- 6/3-L-C-M8 HD GG - Sensor/actuator box header

1197606

<https://www.phoenixcontact.com/us/products/1197606>

Mandatory accessories

SACB-PT-H180- 6/3-M8 HD - Connector hood

1197654

<https://www.phoenixcontact.com/us/products/1197654>



Connector hood, application: Standard, connection method: M8 socket Metal, number of slots: 6, number of positions: 3, slot assignment: single, status display: No, Universal; master cable connection: Plug-in push-in spring-cage connection 180°, shielding: no

SACB-C-H180- 6/3-M8 HD - Connector hood

1197641

<https://www.phoenixcontact.com/us/products/1197641>



Connector hood, application: Standard, connection method: M8 socket Metal, number of slots: 6, number of positions: 3, slot assignment: single, status display: No, Universal; master cable connection: Pluggable screw connection 180°, shielding: no

Accessories

SACB- 6/3-L-C-M8 HD GG - Sensor/actuator box header

1197606

<https://www.phoenixcontact.com/us/products/1197606>

SACB-PT-H180- 6/3-M8 HD - Connector hood

1197654

<https://www.phoenixcontact.com/us/products/1197654>



Connector hood, application: Standard, connection method: M8 socket Metal, number of slots: 6, number of positions: 3, slot assignment: single, status display: No, Universal; master cable connection: Plug-in push-in spring-cage connection 180°, shielding: no

SACB-C-H180- 6/3-M8 HD - Connector hood

1197641

<https://www.phoenixcontact.com/us/products/1197641>



Connector hood, application: Standard, connection method: M8 socket Metal, number of slots: 6, number of positions: 3, slot assignment: single, status display: No, Universal; master cable connection: Pluggable screw connection 180°, shielding: no

SACB- 6/3-L-C-M8 HD GG - Sensor/actuator box header



1197606

<https://www.phoenixcontact.com/us/products/1197606>

SACB- 6X0,34/2X0,75-50 PUR - Master cable ring

1517589

<https://www.phoenixcontact.com/us/products/1517589>



Master cable for sensor/actuator boxes, without PE conductor, unshielded, material PUR/PVC, 8-pos., 6 x 0.34 mm² and 2 x 0.75 mm², length: 50 m

UCT-TM 6 - Marker for terminal blocks

0828736

<https://www.phoenixcontact.com/us/products/0828736>



Marker for terminal blocks, Sheet, white, unlabeled, can be labeled with: TOPMARK NEO, TOPMARK LASER, BLUEMARK ID COLOR, BLUEMARK ID, BLUEMARK CLED, THERMOMARK PRIME, THERMOMARK CARD 2.0, THERMOMARK CARD, mounting type: snapped, for terminal block width: 6.2 mm, lettering field size: 5.6 x 10.5 mm, Number of individual labels: 60

SACB- 6/3-L-C-M8 HD GG - Sensor/actuator box header



1197606

<https://www.phoenixcontact.com/us/products/1197606>

PROT-M8 - Screw plug

1682540

<https://www.phoenixcontact.com/us/products/1682540>



An M8 screw plug for the unoccupied M8 sockets of the sensor/actuator cable, boxes and flush-type connectors

TSD 02 SAC - Torque screwdriver

1208487

<https://www.phoenixcontact.com/us/products/1208487>



Torque screwdriver, with preset torque of 0.2 Nm and 4 mm hexagonal drive for M8 connectors

SACB- 6/3-L-C-M8 HD GG - Sensor/actuator box header

1197606

<https://www.phoenixcontact.com/us/products/1197606>

SAC BIT M8-D10 - Tool

1208461

<https://www.phoenixcontact.com/us/products/1208461>



Nut for assembling M8 connectors with longitudinal knurl and a knurl diameter of 10 mm, for 4 mm hexagonal drive

SACC BIT M8-D12 - Tool

1208474

<https://www.phoenixcontact.com/us/products/1208474>



Nut for assembling M8 connectors with longitudinal knurl and a knurl diameter of 12 mm, for 4 mm hexagonal drive

SACB- 6/3-L-C-M8 HD GG - Sensor/actuator box header



1197606

<https://www.phoenixcontact.com/us/products/1197606>

SZK PZ2 VDE - Screwdriver

1206463

<https://www.phoenixcontact.com/us/products/1206463>



Screwdriver, PZ crosshead, VDE insulated, size: PZ 2 x 100 mm, 2-component grip, with non-slip grip

Phoenix Contact 2023 © - all rights reserved

<https://www.phoenixcontact.com>

Phoenix Contact USA
586 Fulling Mill Road
Middletown, PA 17057, United States
(+717) 944-1300
info@phoenixcon.com