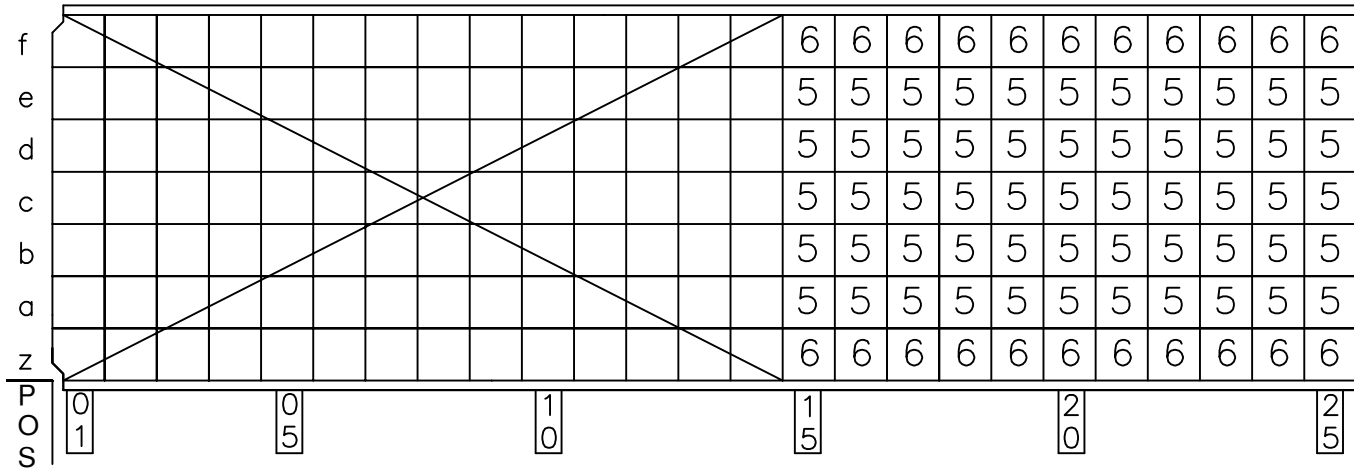
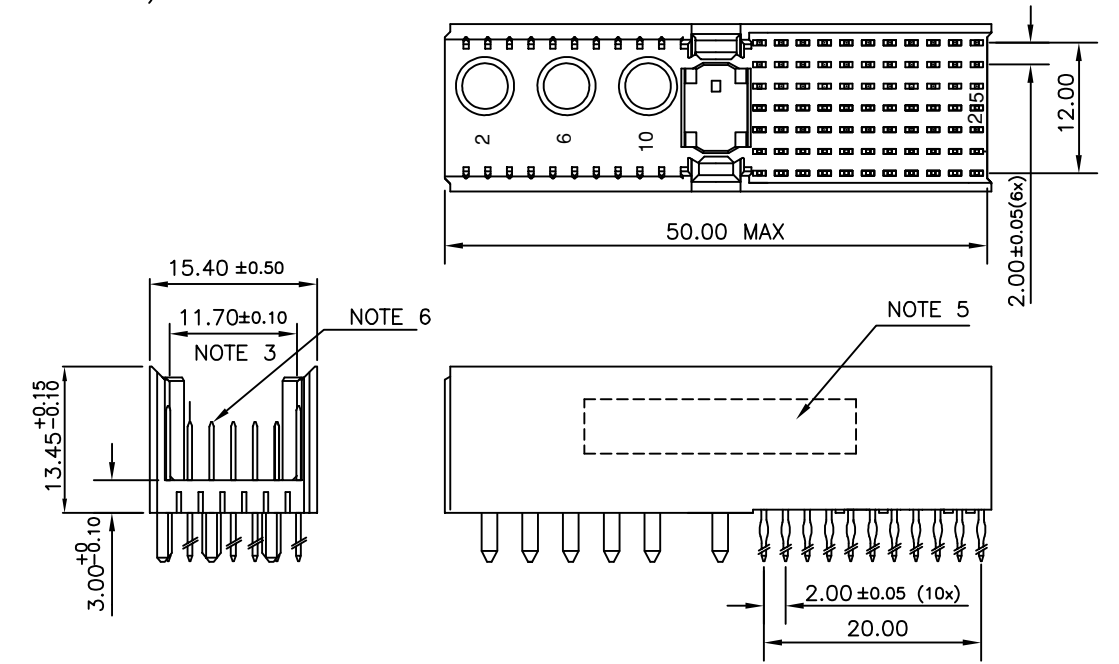


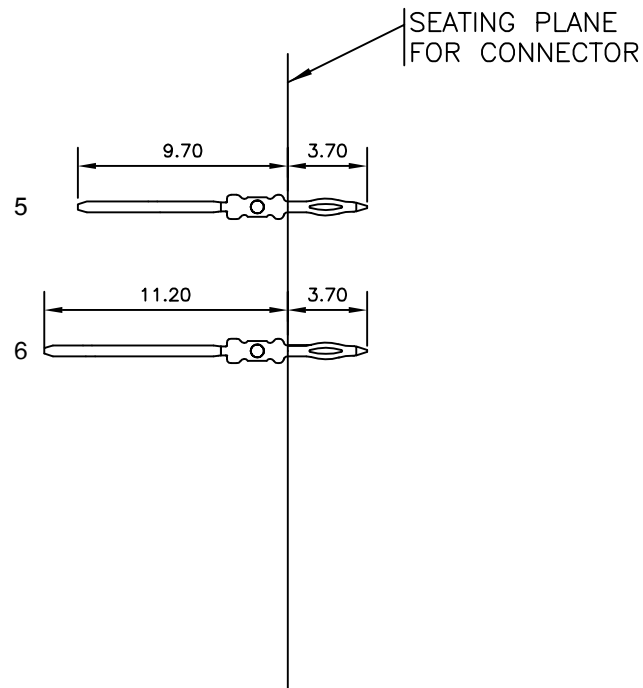
LOADING PATTERN MATING SIDE



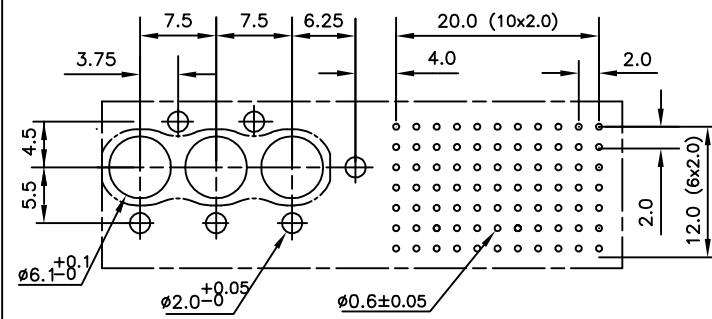
LOADED CONNECTOR ASSEMBLY (FOR EXAMPLE)



CONTACT OVERVIEW



LAY-OUT P.C.B.-HOLE



HM2P11PDE121 LEAD FREE INDICATOR : LF = LEAD FREE (DIGIT 15 & 16)
PLATING CODE (DIGIT 13 AND 14) (REF DRW NO. BS,C , 201844 , 003)

NOTES

1. THIS PRODUCT IS CSA APPROVED.
 2. THIS PRODUCT IS UL RECOGNIZED.
 3. MEASURED AT THE BOTTOM.
 4. MATERIAL CONTACT: PHOSPHORBRONZE
HOUSING: CREAM WHITE GLASS FILLED POLYESTER UL-94V0
 5. CONNECTOR PRINTED WITH P/N AND DATE CODE.
 6. FOR ACTUAL CONTACT LOADINGS, SEE LOADING PATTERN MATING SIDE.
 7. SHAPE OF CONNECTOR HOUSING CAN ALTER DEPENDING ON PRODUCTION LOCATION
 8. THE PRODUCT (LF) MEETS EUROPEAN UNION DIRECTIVES AND OTHER COUNTRY REGULATIONS AS DESCRIBED IN GS-22-008
 9. FOR RECOMMENDED PTH DIMENSIONS REFER DRAWING : BS, A , 201572 , 001
- CATALOG NO: HM2P11PDE121- ---

mat'l. code		surface		tolerance		projection		product family		
SEE NOTE 4		ISO 1302 ✓		ISO 406 ISO 1101				MILLIPACS		
ltr	ecn no	dr	date	tolerances unless otherwise specified				title		
A	I03-0058	MINI	2003/10/16	angles	linear	MM		MPACS 5+2R STR HDR PF CONN TYPE M		
B	I05-0183	MINI	2005/10/06	0°±1°		scale -				
C	I06-0077	MINI	2006/06/24							
		dr	MINI K VANDANATH	2003/10/16				dwg no		
		enr	BIJU K PAUL	2003/10/16				sheet 1 of 1		size
		chr	BIJU K PAUL	2006/06/24				BS, C ,203028, 089		A3
		appd	BIJU K PAUL	2006/06/24				type		Product Customer Drawing
sheet index	revision sheet	c								
	1									