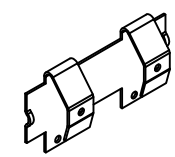
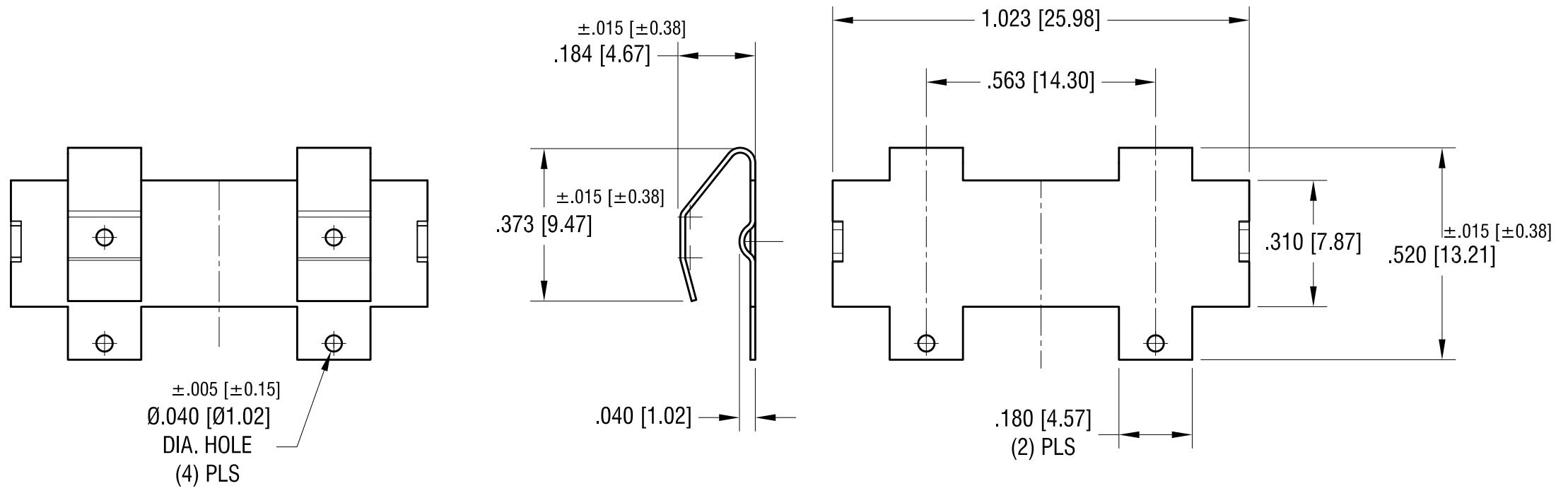


DATE	DESCRIPTION	REV.



ACTUAL SIZE

THIS DOCUMENT IS THE PROPERTY OF KEYSTONE ELECTRONICS CORP. AND SHALL NOT BE REPRODUCED, DISTRIBUTED OR USED AS A BASIS FOR MANUFACTURE WITHOUT PRIOR WRITTEN PERMISSION FROM KEYSTONE ELECTRONICS CORP.

<b>KEYSTONE ELECTRONICS CORP.</b>			
www.keyelco.com • NEW HYDE PARK, NY 11040 • Tel (516) 328-7500			
PART NAME		DUAL 'AA' BATTERY CLIP	
MATERIAL		.012 [0.30] TH'K SPRING STEEL	
FINISH	NICKEL PLATE	DRN BY	NT
		DATE	12.20.21
		APPD	RH
		SCALE	3X
TOLERANCES	INCH [MM]	CODE	DWG NO.
DECIMAL	$\pm .010$ [ $\pm 0.25$ ]	C	5232
ANGULAR	$\pm 1^\circ$		
UNLESS OTHERWISE SPECIFIED			