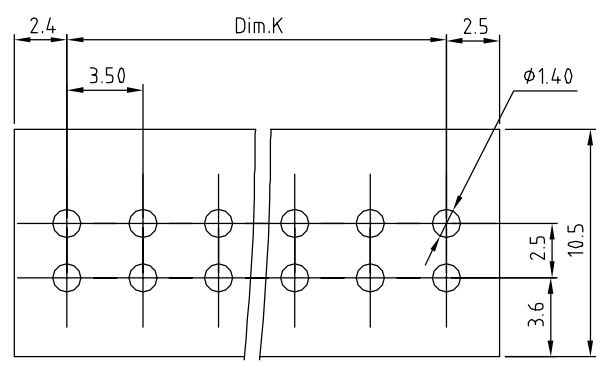
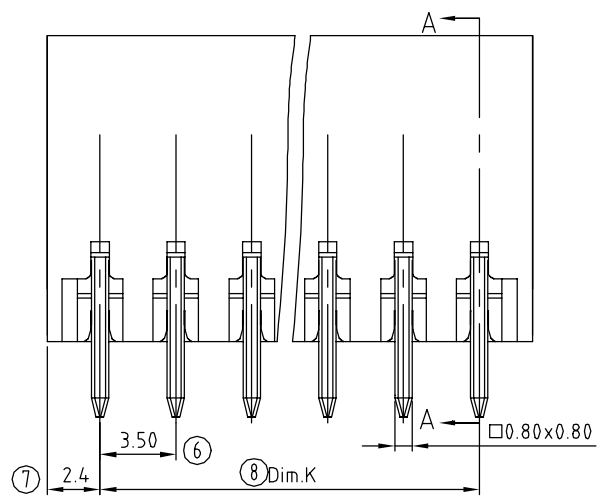
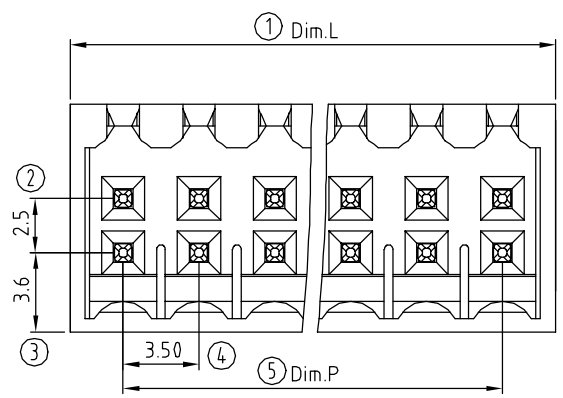
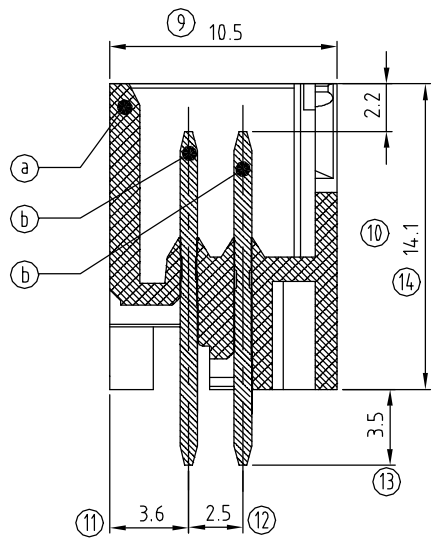


SIGN	DATE	DESCRIPTION	APPROVER
△	04/25'11	Material is changed	Chen Bo
THIS IS CAD DRAWING, DO NOT REVISE MANUALLY!!!			



P.C.B Layout



SECTION A-A

$$\begin{aligned} \text{DimL} &= (N/2 - 1) \times 3.5 + 4.9 \\ \text{DimP} &= (N/2 - 1) \times 3.5 \\ \text{DimK} &= (N/2 - 1) \times 3.5 \end{aligned}$$

N=Number of poles

POLES	Dim.	
	Tol	Dim.
2x2p-2x6p	±0.15	±0.10
2x7p-2x12p	±0.25	±0.20
2x13p-2x18p	±0.35	±0.30
2x19p-2x24p	±0.40	±0.35

Material:

- Item ② Terminal housing: PA66 (UL94V-0)
- △ ● Item ⑥ Male contact pin: Brass, Tin plated

Electrical:

- Voltage rating: 150V
- Current rating: 7A
- Withstanding Voltage: 1.3KV
- Operating temperature: -40°C to +115°C
- Soldering temperature: 250°C±10°C/5 Sec
- Safety Approval:

cULus



V X xx 1 1 x 0 xxxx G

RoHS Pb=40,000ppm

04 2x2 CONTACTS 0 Black 0000 Standard @ Logo

06 3x2 CONTACTS 3 Orange 000A Standard ANY Logo

... .. 5 Green Any special item by customer request, please contact sales department.

48 24x2 CONTACTS 6 Blue

8 Grey

ANYTEK				INSPECTION COPY			
ALL RIGHTS RESERVED. REPRODUCTION OR ISSUE TO THIRD PARTIES IN ANY FORM WHATEVER IS NOT PERMITTED WITHOUT WRITTEN AUTHORITY FROM THE PROPRIETOR. PROPERTY OF ANYTEK TECHNOLOGY CO., LTD							
TITLE		VX 3.5mm Series Close type Vertical					
PART NO.		VXxx11x0xxxxG			DWG NO.		8VX005
APPROVED		CHECKED	DESIGNED	DRAWN	CUST NO.		Tolerance
			Runner 2011.04.25	Chen Bo 2011.04.25			X. ±0.50
					SHEET: 01/01		X.X ±0.30
					UNIT: mm		X.XX ±0.10
					SCALE: NONE		X° ±1°
					REV.: C		