



Solid-state time-delayed auxiliary switch, can be snapped on at the front, time range 1.5...30s, 200 ... 240 V AC, 2 NO, star-delta (wye-delta) function, sizes S6...S12

product brand name	SIRIUS
product designation	auxiliary switch
design of the product	Star-delta (wye-delta) function
product type designation	3RT19
General technical data	
size of contactor can be combined company-specific	S0 ... S12
product component semi-conductor output	No
product extension required remote control	No
product extension optional remote control	No
insulation voltage for overvoltage category III according to IEC 60664 with degree of pollution 3 rated value	300 V
degree of pollution	3
surge voltage resistance rated value	4 000 V
shock resistance acc. to IEC 60068-2-27	11g / 15 ms
vibration resistance acc. to IEC 60068-2-6	10 ... 55 Hz: 0.35 mm
mechanical service life (switching cycles) typical	10 000 000
electrical endurance (switching cycles) at AC-15 at 230 V typical	100 000
adjustable time	1.5 ... 30 s
relative setting accuracy relating to full-scale value	15 %
recovery time	150 ms
reference code acc. to IEC 81346-2	K
relative repeat accuracy	1 %
Product Function	
product function star-delta circuit	Yes
Control circuit/ Control	
type of voltage of the control supply voltage	AC
control supply voltage 1 at AC	
• at 50 Hz	200 ... 240 V
• at 60 Hz	200 ... 240 V
control supply voltage frequency 1	50 ... 60 Hz
operating range factor control supply voltage rated value at AC at 50 Hz	
• initial value	0.85
• full-scale value	1.1
operating range factor control supply voltage rated value at AC at 60 Hz	
• initial value	0.85

<ul style="list-style-type: none"> • full-scale value 	1.1
Switching Function	
switching function <ul style="list-style-type: none"> • ON-delay • ON-delay/instantaneous contact • passing make contact • passing make contact/instantaneous contact • OFF delay 	No
switching function <ul style="list-style-type: none"> • flashing symmetrically with interval start/instantaneous • flashing symmetrically with interval start • flashing symmetrically with pulse start/instantaneous • flashing symmetrically with pulse start • flashing asymmetrically with interval start • flashing asymmetrically with pulse start 	No
switching function <ul style="list-style-type: none"> • constant clock cycle with pulse start • constant clock cycle with interval start 	No
switching function <ul style="list-style-type: none"> • variably clocked with pulse start • variably clocked with interval start 	No
switching function <ul style="list-style-type: none"> • star-delta circuit with delay time • star-delta circuit 	No Yes
switching function with control signal <ul style="list-style-type: none"> • additive ON-delay • passing break contact • passing break contact/instantaneous • OFF delay • OFF delay/instantaneous • pulse delayed • pulse delayed/instantaneous • pulse-shaping • pulse-shaping/instantaneous • additive ON-delay/instantaneous • ON-delay/OFF-delay • ON-delay/OFF-delay/instantaneous • passing make contact • passing make contact/instantaneous contact 	No
switching function of interval relay with control signal <ul style="list-style-type: none"> • retrotriggerable with deactivated control signal/instantaneous contact • retrotriggerable with switched-on control signal • retrotriggerable with switched-on control signal/instantaneous contact • retriggerable with deactivated control signal 	No
design of the control terminal non-floating	No
Short-circuit protection	
design of the fuse link for short-circuit protection of the auxiliary switch required	fuse gL/gG: 4 A
Auxiliary circuit	
number of NC contacts <ul style="list-style-type: none"> • delayed switching • instantaneous contact 	0 0
number of NO contacts <ul style="list-style-type: none"> • delayed switching • instantaneous contact 	1 1

number of CO contacts	
<ul style="list-style-type: none"> • delayed switching • instantaneous contact 	0 0
operational current of auxiliary contacts at AC-15	
<ul style="list-style-type: none"> • maximum 	3 A
operational current of auxiliary contacts as NC contact at AC-15	
<ul style="list-style-type: none"> • at 24 V • at 250 V 	3 A 3 A
operational current of auxiliary contacts as NO contact at AC-15	
<ul style="list-style-type: none"> • at 24 V • at 250 V 	3 A 3 A
operational current of auxiliary contacts at DC-13	
<ul style="list-style-type: none"> • at 24 V • at 125 V • at 250 V 	1 A 0.2 A 0.1 A
Inputs/ Outputs	
product function	
<ul style="list-style-type: none"> • at the relay outputs switchover delayed/without delay • non-volatile 	No No
Electromagnetic compatibility	
EMC immunity acc. to IEC 61812-1	EN 61000-6-2
conducted interference	
<ul style="list-style-type: none"> • due to burst acc. to IEC 61000-4-4 • due to conductor-earth surge acc. to IEC 61000-4-5 • due to conductor-conductor surge acc. to IEC 61000-4-5 	2 kV network connection / 1 kV control connection 2 kV 1 kV
field-based interference acc. to IEC 61000-4-3	10 V/m
electrostatic discharge acc. to IEC 61000-4-2	4 kV contact discharge / 8 kV air discharge
Safety related data	
touch protection against electrical shock	finger-safe
protection class IP on the front acc. to IEC 60529	IP20
type of insulation	Basic insulation
category acc. to EN 954-1	none
Connections/ Terminals	
product function removable terminal for auxiliary and control circuit	No
type of electrical connection for auxiliary and control circuit	screw-type terminals
type of connectable conductor cross-sections	
<ul style="list-style-type: none"> • solid • finely stranded with core end processing • at AWG cables solid • at AWG cables stranded 	1x (0.5 ... 4.0 mm ²), 2x (0.5 ... 2.5 mm ²) 1x (0.5 ... 2.5 mm ²), 2x (0.5 ... 1.5 mm ²) 2x (20 ... 14) 2x (20 ... 14)
<ul style="list-style-type: none"> • connectable conductor cross-section solid • connectable conductor cross-section finely stranded with core end processing 	0.5 ... 4 m ² 0.5 ... 2.5 m ²
<ul style="list-style-type: none"> • AWG number as coded connectable conductor cross section solid • AWG number as coded connectable conductor cross section stranded 	18 ... 14 18 ... 14
Installation/ mounting/ dimensions	
mounting position	any
fastening method	clip-on
height	46 mm
width	33 mm
depth	73 mm
required spacing	

- with side-by-side mounting
 - forwards 0 m
 - backwards 0 m
 - upwards 0 m
 - downwards 0 m
 - at the side 0 m
- for grounded parts
 - forwards 0 m
 - backwards 0 m
 - upwards 0 m
 - at the side 0 m
 - downwards 0 m
- for live parts
 - forwards 0 m
 - backwards 0 m
 - upwards 0 m
 - downwards 0 m
 - at the side 0 m

Ambient conditions

installation altitude at height above sea level maximum	2 000 m
<ul style="list-style-type: none"> • ambient temperature during operation • ambient temperature during storage • ambient temperature during transport 	-25 ... +60 °C -40 ... +85 °C -40 ... +85 °C
relative humidity during operation	15 ... 95 %

Certificates/ approvals

General Product Approval	EMC	Declaration of Conformity
--------------------------	-----	---------------------------



Declaration of Conformity

Test Certificates

Marine / Shipping

[Miscellaneous](#)

[Miscellaneous](#)

[Special Test Certificate](#)



Marine / Shipping

other

Railway



[Confirmation](#)

[Miscellaneous](#)

[Special Test Certificate](#)

Further information

Information- and Downloadcenter (Catalogs, Brochures,...)

<https://www.siemens.com/ic10>

Industry Mall (Online ordering system)

<https://mall.industry.siemens.com/mall/en/en/Catalog/product?mlfb=3RT1926-2GD51>

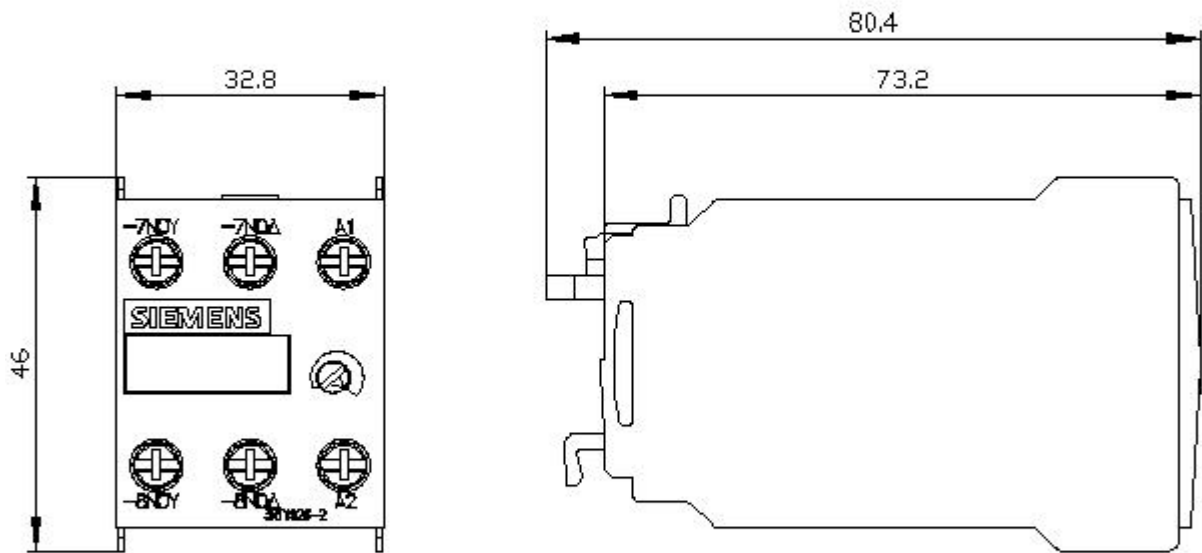
Cax online generator

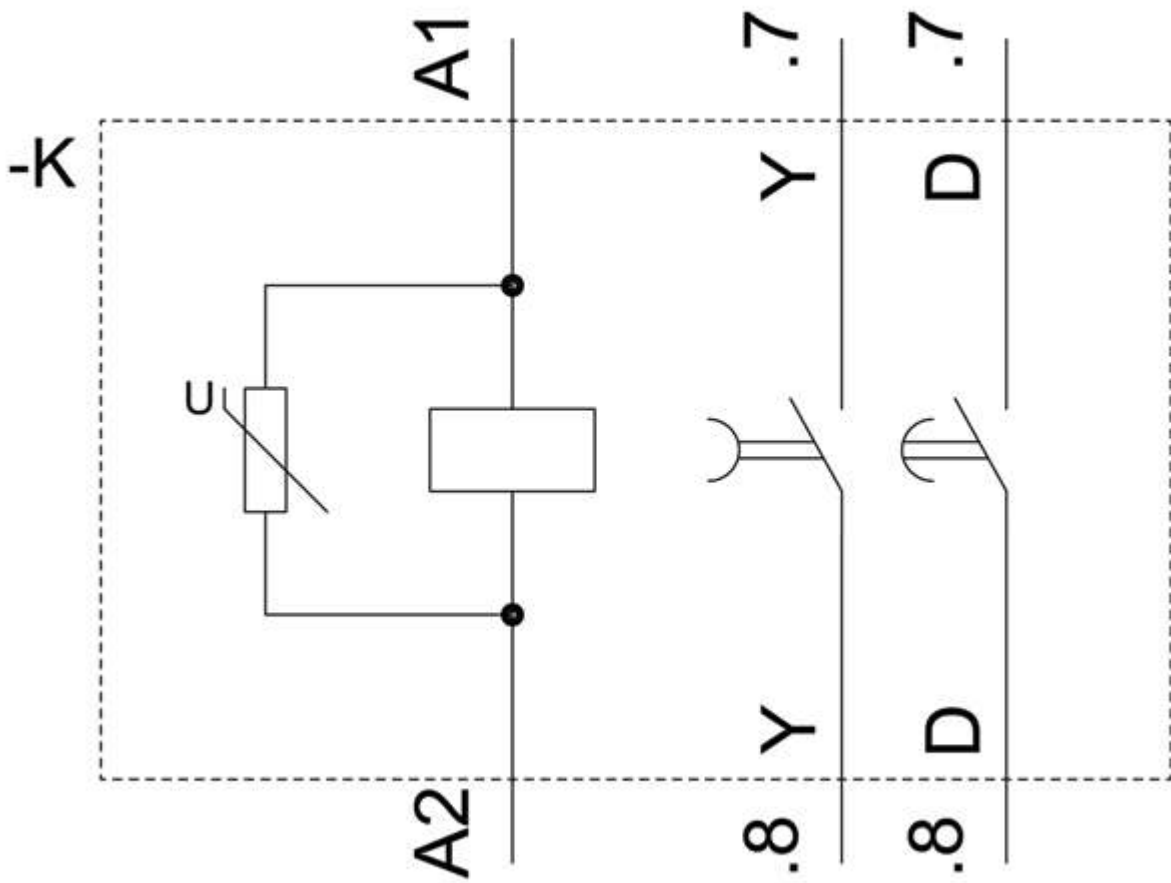
<http://support.automation.siemens.com/WW/CAXorder/default.aspx?lang=en&mlfb=3RT1926-2GD51>

Service&Support (Manuals, Certificates, Characteristics, FAQs,...)

<https://support.industry.siemens.com/cs/ww/en/ps/3RT1926-2GD51>

Image database (product images, 2D dimension drawings, 3D models, device circuit diagrams, EPLAN macros, ...)





last modified:

11/23/2020 [↗](#)