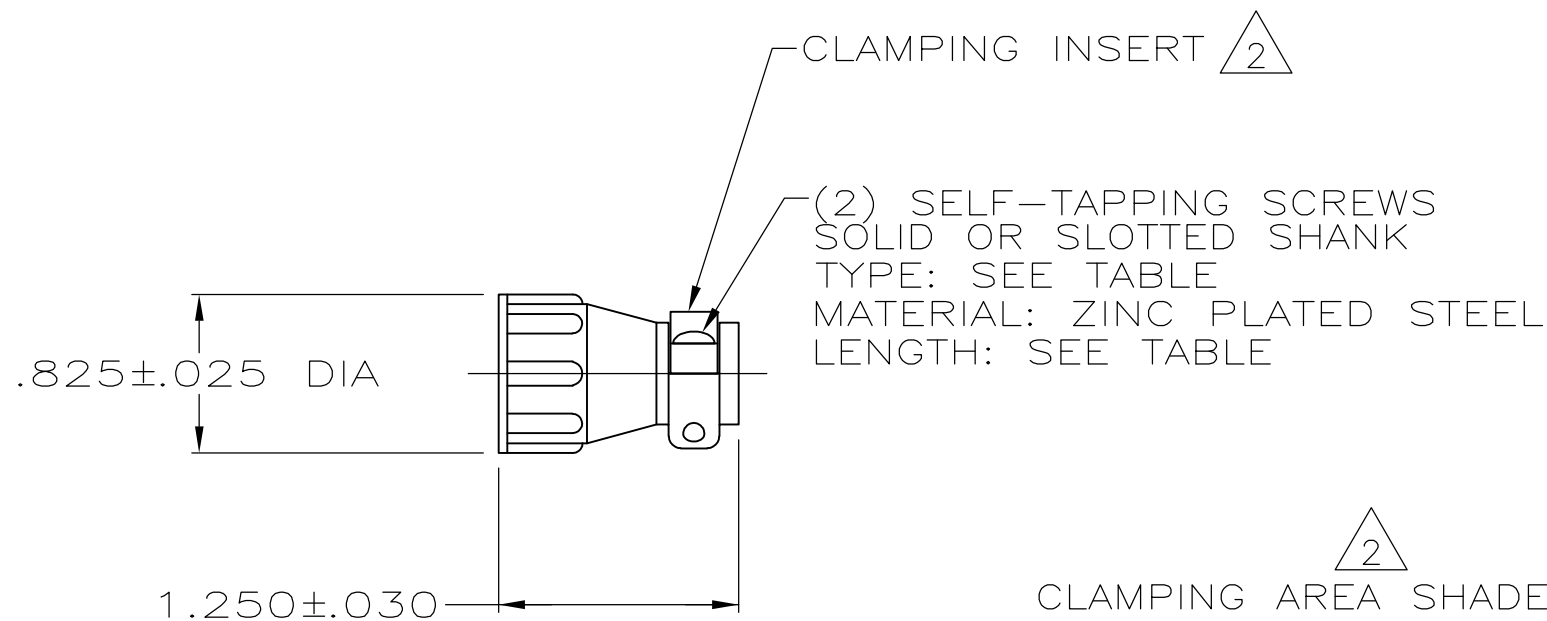


THIS DRAWING IS UNPUBLISHED. RELEASED FOR PUBLICATION  
 © COPYRIGHT BY TYCO ELECTRONICS CORPORATION. ALL INTERNATIONAL RIGHTS RESERVED.

LOC	DIST	REVISIONS				
P	LTR	DESCRIPTION	DATE	DWN	APVD	
		U3	REVISED PER ECO-10-012730	20SEP10	HMR	MG



- 1 PARTS PACKAGED UNASSEMBLED.
- 2 CABLE CLAMPING AREA ADJUSTABLE FROM .004 TO .055 SQ IN BY REVERSING CLAMPING INSERTS.
- 3 .329 MAXIMUM CABLE OUTSIDE DIAMETER.
- 4 BULK PACKAGED KITS TO BE ORDERED IN MULTIPLES OF 400 ONLY.
- 5 OBSOLETE PART NUMBER.
- 6 STAINLESS STEEL (NON MAGNATIC).
- 7 CABLE CLAMP WITH NON-MAGNETIC STAINLESS STEEL SCREWS.
- 8 ZINC PLATED STEEL, NON-HEXAVALENT CHROMATE.
- 9 OBSOLETE PARTS: OBSOLETE CIS STREAMLINING PER D.RENAUD/D.SINISI

PACKAGING	SCREW FINISH	SCREW LENGTH	SCREW TYPE	PART NUMBER
$\triangle 4$ BULK	$\triangle 6$	.50 $\pm$ .05	#5-20	1-206062-7
INDIVIDUAL	$\triangle 8$	.38 $\pm$ .05	#5-20	1-206062-6
$\triangle 4$ BULK	$\triangle 8$	.38 $\pm$ .05	#5-20	1-206062-5
INDIVIDUAL	$\triangle 8$	.50 $\pm$ .05	#5-20	1-206062-4
INDIVIDUAL	$\triangle 8$	.62 $\pm$ .05	#5-20	1-206062-3
INDIVIDUAL $\triangle 7$	$\triangle 6$	.50 $\pm$ .05	#5-20	1-206062-2
SUPERSEDED BY 1-206062-3	$\triangle 8$	.62 $\pm$ .05	#5-20	1-206062-1
$\triangle 9$ OBSOLETE	$\triangle 8$	.38 $\pm$ .05	#5-20	1-206062-0
AMP BRAZIL USE ONLY		12mm $\pm$ .8	3mm-20	$\triangle 5$ 206062-9
AMP BRAZIL USE ONLY		10mm $\pm$ .8	3mm-20	$\triangle 5$ 206062-8
SUPERSEDED BY 1-206062-7	$\triangle 4$ BULK	.50 $\pm$ .05	#5-20	206062-4
SUPERSEDED BY 1-206062-4	INDIVIDUAL	.50 $\pm$ .05	#5-20	206062-3
SUPERSEDED BY 1-206062-5	$\triangle 4$ BULK	.38 $\pm$ .05	#5-20	206062-2
SUPERSEDED BY 1-206062-6	INDIVIDUAL	.38 $\pm$ .05	#5-20	206062-1

THIS DRAWING IS A CONTROLLED DOCUMENT.		DWN A GRAFF 4/29/91	Tyco Electronics Corporation Harrisburg, PA 17105-3608	
DIMENSIONS: INCHES		CHK W.G.LENKER 7-22-92		
TOLERANCES UNLESS OTHERWISE SPECIFIED:		APVD	NAME	
0 PLC $\pm$ -		PRODUCT SPEC	CABLE CLAMP KIT, STANDARD, SHELL SIZE 11, CPC	
1 PLC $\pm$ -		APPLICATION SPEC	-	
2 PLC $\pm$ -		WEIGHT	SIZE	CAGE CODE
3 PLC $\pm$ -			A3	00779
4 PLC $\pm$ -			DRAWING NO	RESTRICTED TO
ANGLES $\pm$ -			C-206062	-
FINISH			SCALE	SHEET
THERMOPLASTIC			NTS	1 OF 1
		CUSTOMER DRAWING	REV	U3