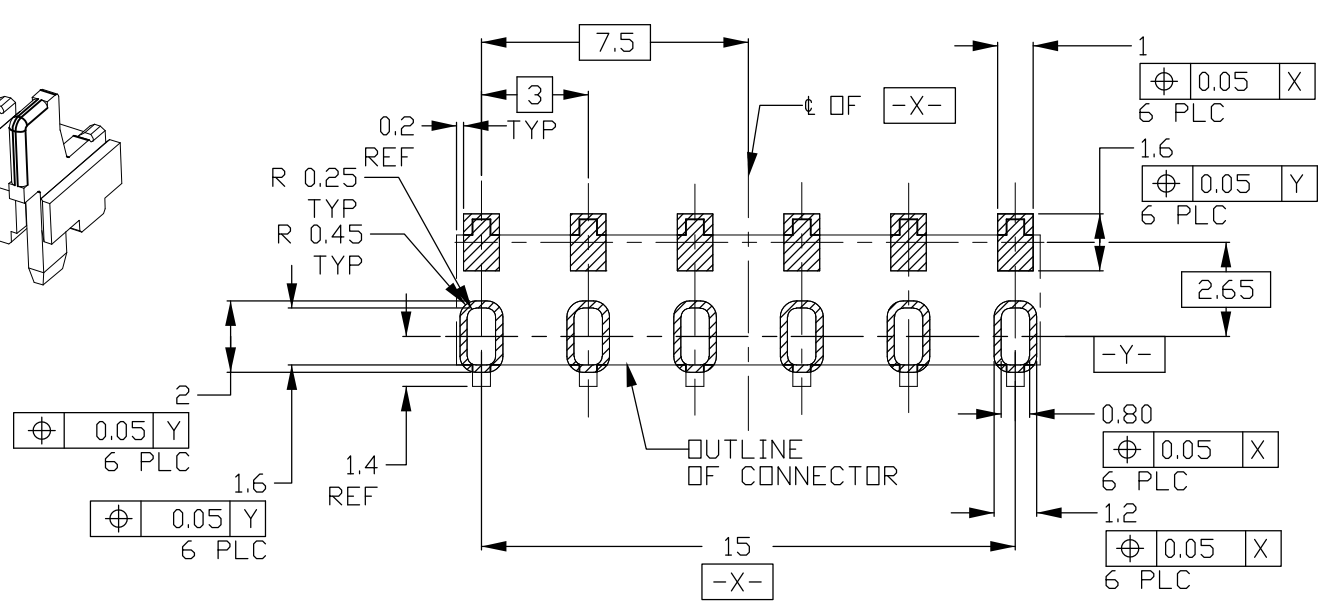
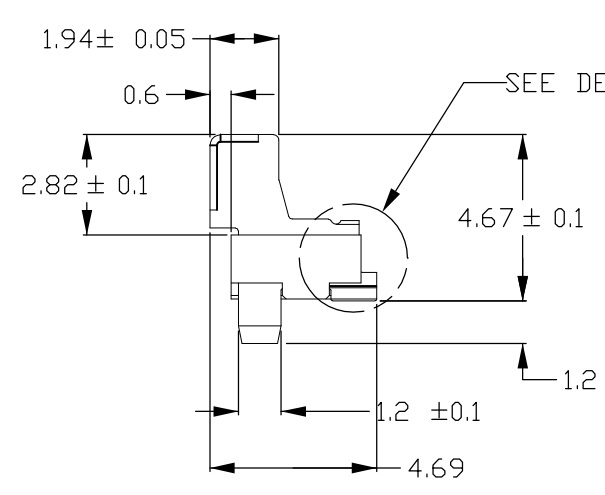
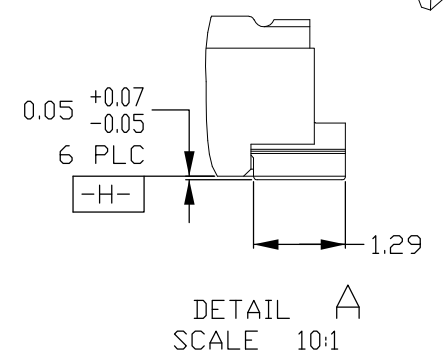
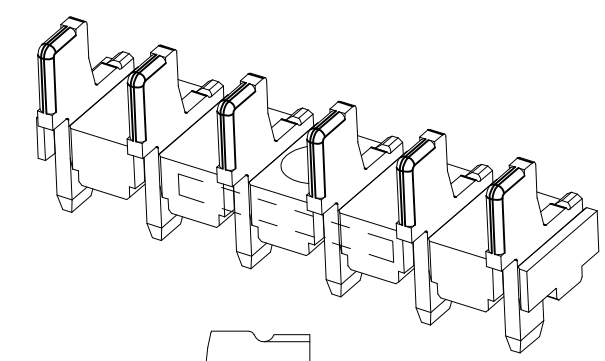
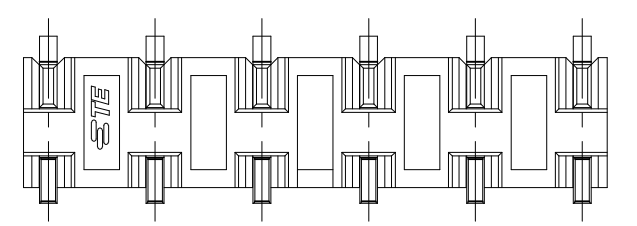
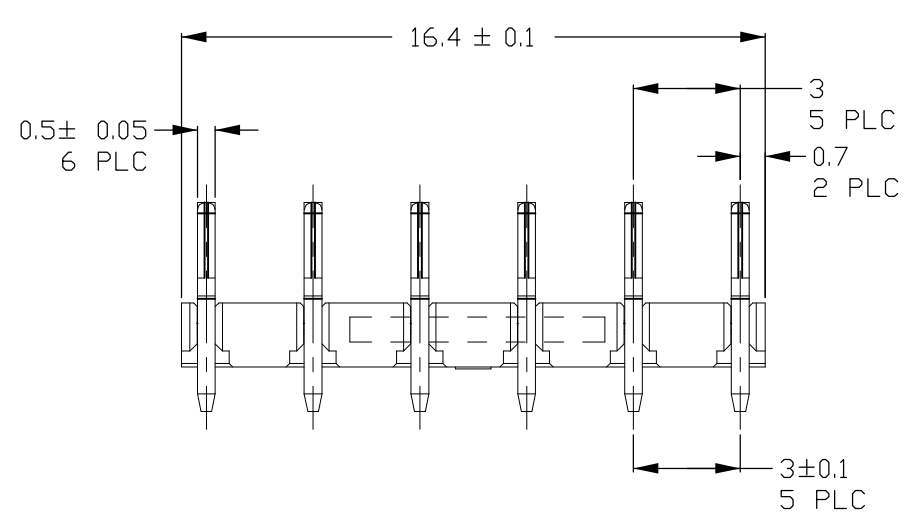
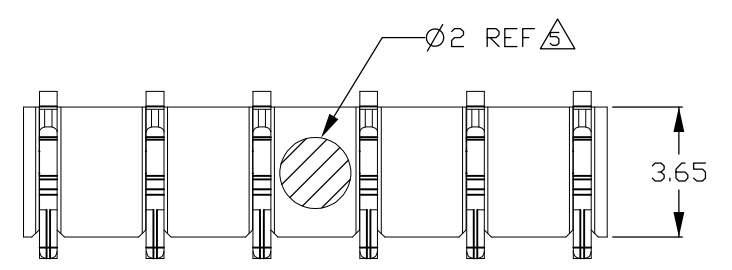
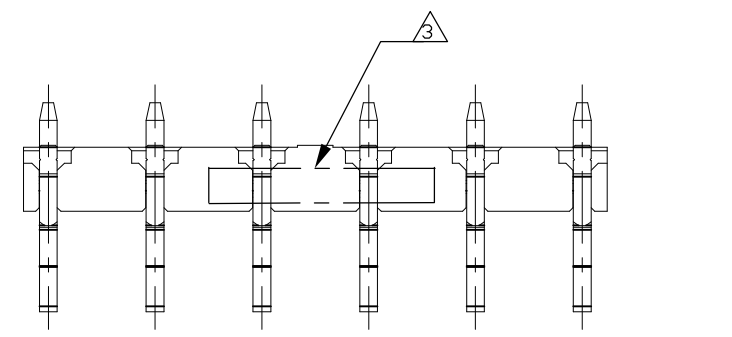


THIS DRAWING IS UNPUBLISHED. RELEASED FOR PUBLICATION
 © COPYRIGHT - By - ALL RIGHTS RESERVED.

REVISIONS				
P	LTR	DESCRIPTION	DATE	DWN APVD
	A	NEW RELEASE	16DEC2016	A.Z H.L



REFERENCE P.C. BOARD LAYOUT
 (GENERAL TOLERANCE: ±0.05, SCALE 5:1)

- 1 MATERIAL
CONTACT: COPPER ALLOY
HOUSING: LCP UL94V-0, BLACK
- 2 FINISH
CONTACT: NICKEL ALL OVER UNDER PLATING 2.54um MIN.
GOLD PLATING (REF ASTM B488, TYPE 2, GRADE C (130-200 knoop))
1.27um MIN. AT CONTACT AREA
GOLD FLASH PLATING AT LEAD AREA, 0.05-0.13um
- 3 DATE CODE: 5 DIGITS.
- 4 COPLANARITY: 0.08MAX.
- 5 PICKING AREA

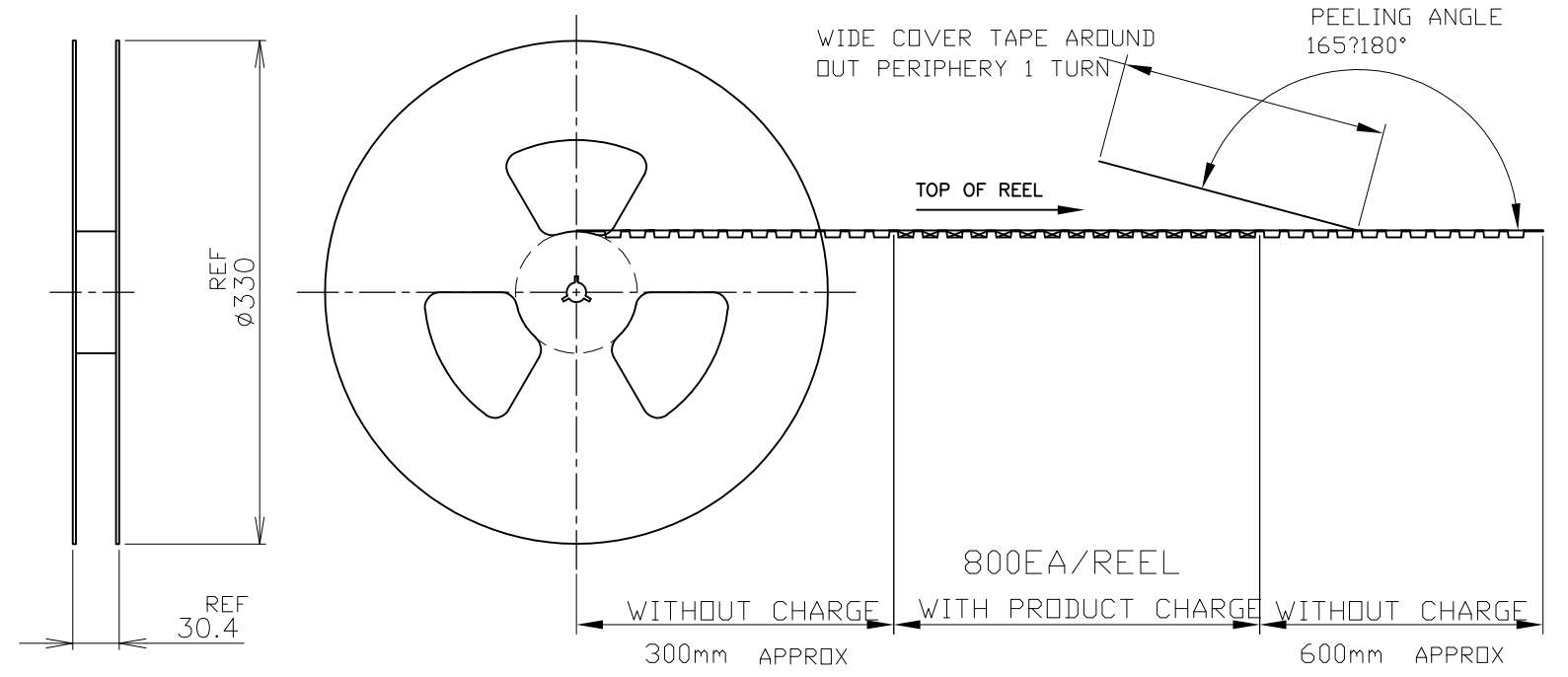
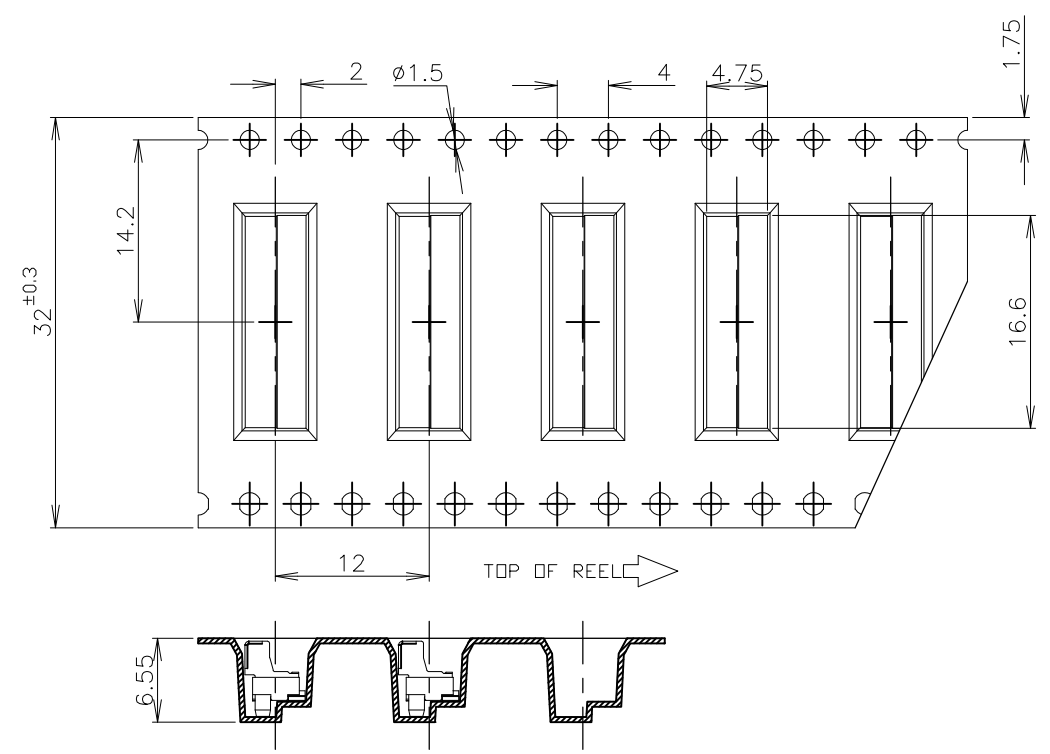
1932870-2
FINISH PART NUMBER


1932870-2:AS SHOWN

THIS DRAWING IS A CONTROLLED DOCUMENT.		DWN Tony Zhang 7JULY2011	TE Connectivity	
DIMENSIONS: mm		CHK Xiang Xu 7JULY2011		
TOLERANCES UNLESS OTHERWISE SPECIFIED: ±0.15		APVD Steven Yao 7JULY2011	NAME FBIS-II	
0-PLC ± 1-PLC ± 2-PLC ± 3-PLC ± 4-PLC ± ANGLES ±3°		PRODUCT SPEC	PLUG ASSEMBLY 6 POS V TYPE	
MATERIAL		APPLICATION SPEC	SIZE A3	CAGE CODE 00779
FINISH		WEIGHT -	DRAWING NO C-1932870	RESTRICTED TO
CUSTOMER DRAWING			SCALE 5:1	SHEET 1 OF 2
			REV A	

THIS DRAWING IS UNPUBLISHED. RELEASED FOR PUBLICATION
 © COPYRIGHT - By - ALL RIGHTS RESERVED.

REVISIONS					
P	LTR	DESCRIPTION	DATE	DWN	APVD
-	-	SEE SHEET 1	-	-	-



THIS DRAWING IS A CONTROLLED DOCUMENT.		DWN Tony Zhang 7JULY2011	 TE Connectivity		
DIMENSIONS: mm		CHK Xiang Xu 7JULY2011			
TOLERANCES UNLESS OTHERWISE SPECIFIED:		APVD Steven Yao 7JULY2011	PLUG ASSEMBLY 6 POS V TYPE		
0 PLC ± - 1 PLC ± - 2 PLC ± - 3 PLC ± - 4 PLC ± - ANGLES ± - FINISH		PRODUCT SPEC	RESTRICTED TO		
MATERIAL		APPLICATION SPEC	SIZE A3	CAGE CODE 00779	DRAWING NO C-1932870
		WEIGHT 0	SCALE 2:1		SHEET 2 OF 2
		CUSTOMER DRAWING	REV A		