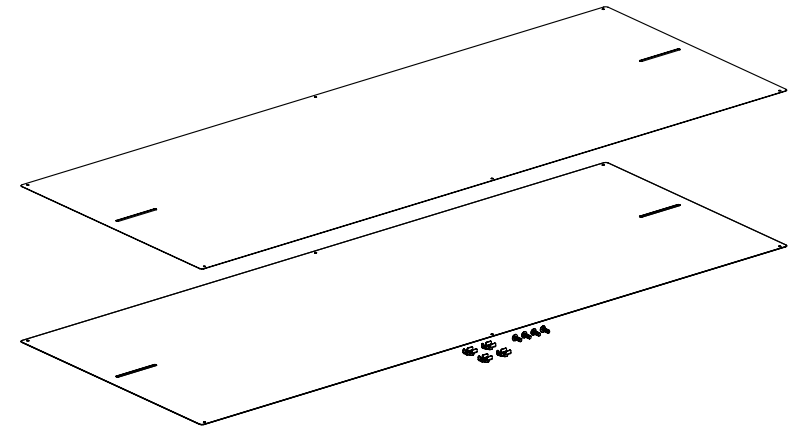
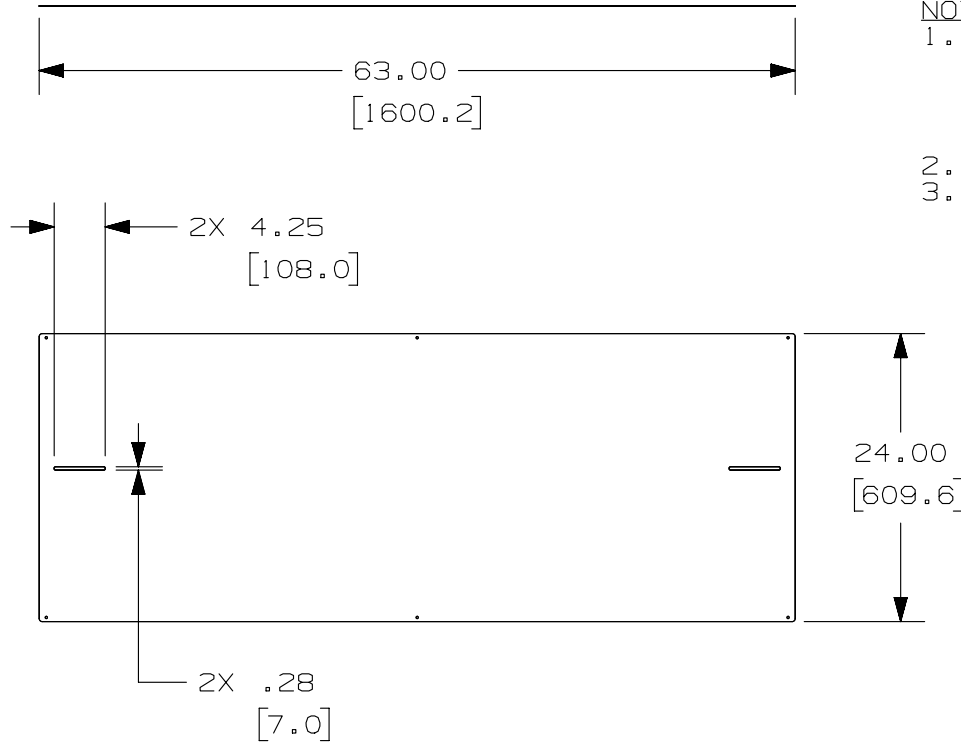


THIS COPY IS PROVIDED ON A RESTRICTED BASIS AND IS NOT TO BE USED IN ANY WAY DETRIMENTAL TO THE INTERESTS OF PANDUIT CORP.

PANDUIT PART NUMBER	WEIGHT
WGTL24**	24 LBS (10886.0 g)

**NOTES:**

- PANDUIT PART NUMBER WGTL24\*\* INCLUDES:
  - TWO [2] 24" WYR-GRID TRAY LINERS
  - FOUR [4] WYR-GRID TRUSS BOLT ASSEMBLIES
  - FOUR [4] 1/4-20 X 3/4" LONG PHILLIPS TRUSS HEAD SCREWS
- DIMENSIONS IN PARENTHESES ARE METRIC.
- SEE CATALOG FOR ADDITIONAL PART SUFFIXES TO INDICATE PART FINISH AND/OR PACKAGE QUANTITY.



REV	DATE	BY	CHK	APR	DESCRIPTION	ECN
R	09-10-13	SSP	DWR	RN	RELEASED TO PRODUCTION	12D347BE-DC

TITLE <b>24" WYR-GRID TRAY LINER (WGTL24**)</b>		CUSTOMER DRAWING	
ITEM REVISION NAME 12D347BE/00		<b>PANDUIT</b>	
DATASET FILE NAME 12D347BE_DC/00A WGTL24**			
UNLESS OTHERWISE SPECIFIED, DIMENSIONAL TOLERANCES ARE: IN (mm)		MATERIAL: <b>STEEL</b>	
.X ±	.XXX ±	DRAWING NUMBER: 12D347BE-DC	
.XX ± .05 [1.3]	ANGLES ± 5 °		
THIRD ANGLE PROJECTION		SCALE	
DRAWN BY SSP	DATE 09-10-13	CHK DWR	SCALE NONE
SHT 1 OF 1		SIZE A	