

## CONCEALED HINGE - SPRING LOADED

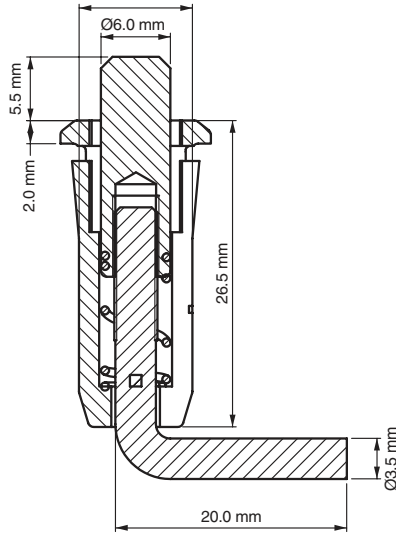


### Specifications

- Material:  
Body: Polyamide DIN-EN ISO1043-1 PA6 GFR 30  
Pin: Steel

### Features

- For internally mounted doors
- Spring-loaded hinge for easy door removal
- Clip installation for easy assembly
- Available as spring-loaded, up-and-down pair; or spring-loaded up hinge and fixed bottom hinge

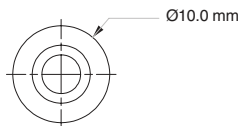
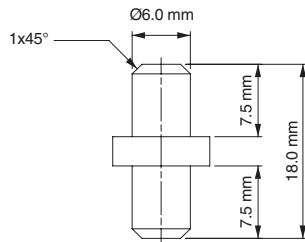


### Hinge Rotation Angle



Item Number	Hinge Rotation	Material	Color
389	110°	Nylon	Black

## BOTTOM PIVOT PIN



Item Number
32003192