

MODEL: PJ-050BH | **DESCRIPTION:** DC POWER JACK

FEATURES

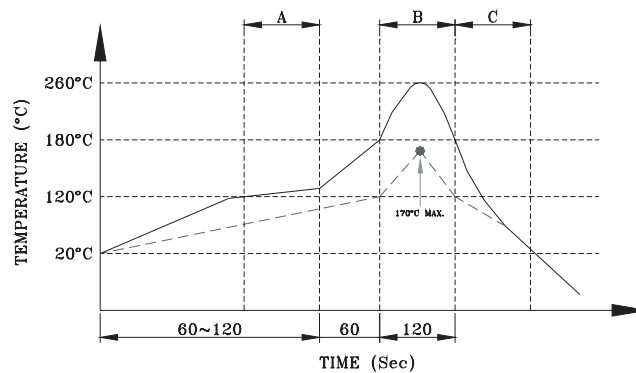
- 2.5 mm center pin
- 5.0 A rating
- right-angle orientation
- through hole
- pick-n-place top


SPECIFICATIONS

parameter	conditions/description	min	typ	max	units
rated input voltage			24		Vdc
rated input current				5	A
contact resistance	between terminal and mating plug between terminal in a closed circuit			100 30	mΩ mΩ
insulation resistance	at 500 Vdc	100			MΩ
voltage withstand	for 1 minute			500	Vac
insertion/withdrawal force		0.3		3	kg
operating temperature		-25		85	°C
life			5,000		cycles
flammability rating	UL94V-0				
RoHS	yes				

SOLDERABILITY

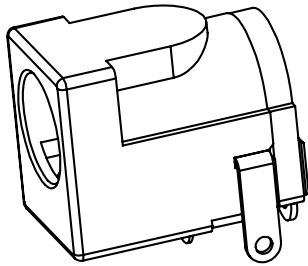
parameter	conditions/description	min	typ	max	units
wave soldering	for max 5 seconds	255	260	265	°C



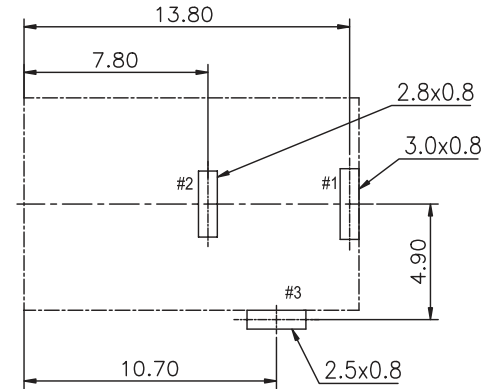
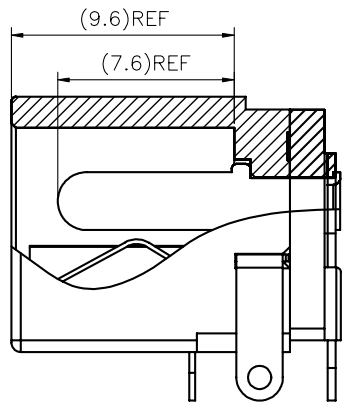
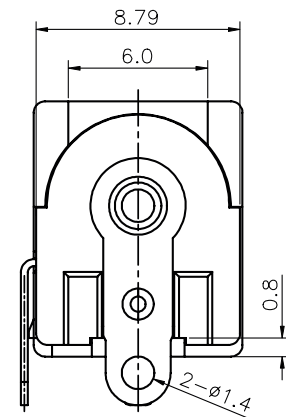
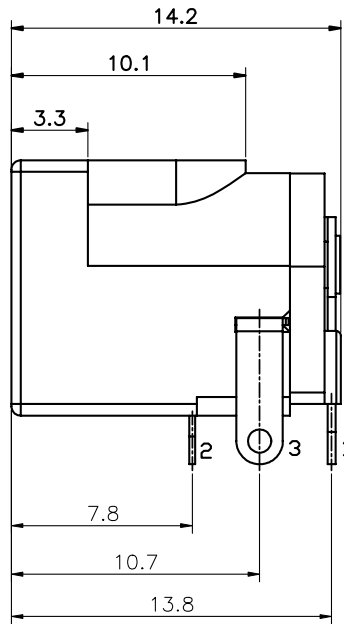
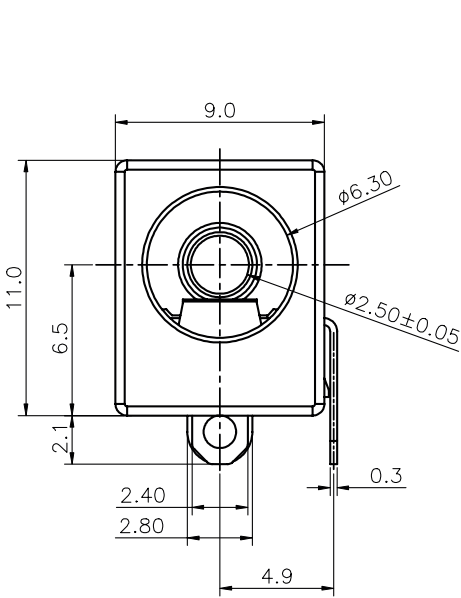
- A. Preheating
 B. Soldering
 C. Cooling
- Pin Temperature
 - - - Component Temperature

MECHANICAL DRAWING

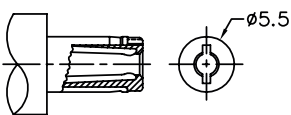
units: mm
 tolerance:
 X.X ±0.20 mm
 X.XX ±0.15 mm
 X.XXX ±0.10 mm
 PCB: ±0.05 mm
 unless otherwise specified



DESCRIPTION	MATERIAL	PLATING/COLOR
center pin	copper alloy (H65)	nickel
terminal 1	C2680 t=0.35	nickel-silver
terminal 2	C5210 t=0.25	nickel-silver
terminal 3	C2680 t=0.30	nickel-silver
cover	PA9T (UL94V-0)	black
housing	PA9T (UL94V-0)	black



Recommended PCB Layout
Top View



MATING PLUG
Jack Insertion Depth: 9.6 mm

SCHEMATIC	
Model	PJ-050BH
Center Pin	Ø2.5 mm

REVISION HISTORY

rev.	description	date
1.0	initial release	07/30/2007
1.01	applied new spec template	09/27/2013
1.02	increased voltage rating	04/26/2016
1.03	brand update	11/05/2019
1.04	logo, datasheet style update	08/05/2022
1.05	product reengineered for improved manufacturability and production yield, see PCN for details	03/06/2023

The revision history provided is for informational purposes only and is believed to be accurate.



CUI Devices offers a one (1) year limited warranty. Complete warranty information is listed on our website.

CUI Devices reserves the right to make changes to the product at any time without notice. Information provided by CUI Devices is believed to be accurate and reliable. However, no responsibility is assumed by CUI Devices for its use, nor for any infringements of patents or other rights of third parties which may result from its use.

CUI Devices products are not authorized or warranted for use as critical components in equipment that requires an extremely high level of reliability. A critical component is any component of a life support device or system whose failure to perform can be reasonably expected to cause the failure of the life support device or system, or to affect its safety or effectiveness.

cuidevices.com