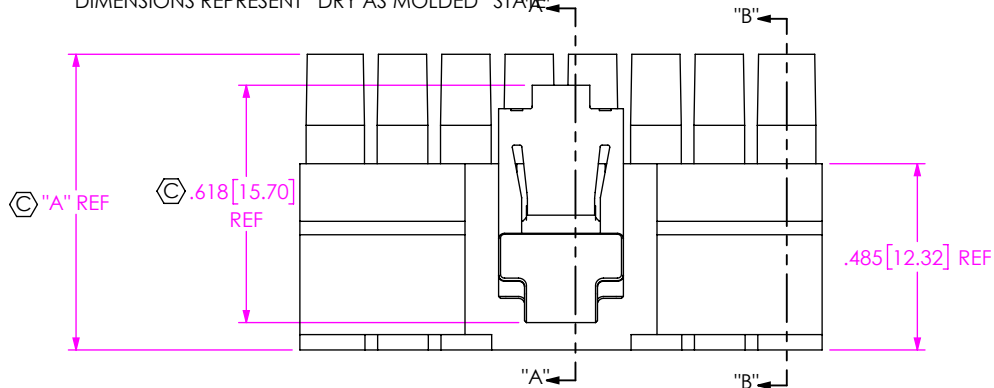


NOTES:

1. Ⓢ REPRESENTS A CRITICAL DIMENSION.
2. MAXIMUM BURR ALLOWANCE: .0015[0.038]
3. LATCH RETENTION FORCE: 1.000LB[4.45N]
4. POSITIONS 2 THRU 5 TO BE BULK PACKAGED, ALL OTHER POSITIONS TO BE TUBED.
5. NYLON MATERIALS ARE HYGROSCOPIC. PRODUCT MAY EXPAND UP TO 0.5% DEPENDING ON CONDITIONS OF THE SURROUNDING ENVIRONMENT. ALL PRINT DIMENSIONS REPRESENT "DRY AS MOLDED" STATE.



\*\*No OF POSITIONS  
-02 THRU -15 (PER ROW)

LATCH OPTION  
-M: METAL LATCH (SEE FIG 1)  
(LEAVE BLANK FOR PLASTIC LATCH,  
SEE FIG 4, SHT 2)

ROW SPECIFICATION

-S: SINGLE  
-D: DOUBLE

OPTION

\*-K: KEYED POLARIZATION  
(SEE FIG 3, SHT 2)

\*(LEAVE BLANK FOR NO POLARIZATION.  
SAMTEC WILL ONLY SUPPORT EXISTING  
BUSINESS AS OF REV C)

(\*\* = -11 THRU -15 POSITIONS  
AVAILABLE ON -D ONLY)

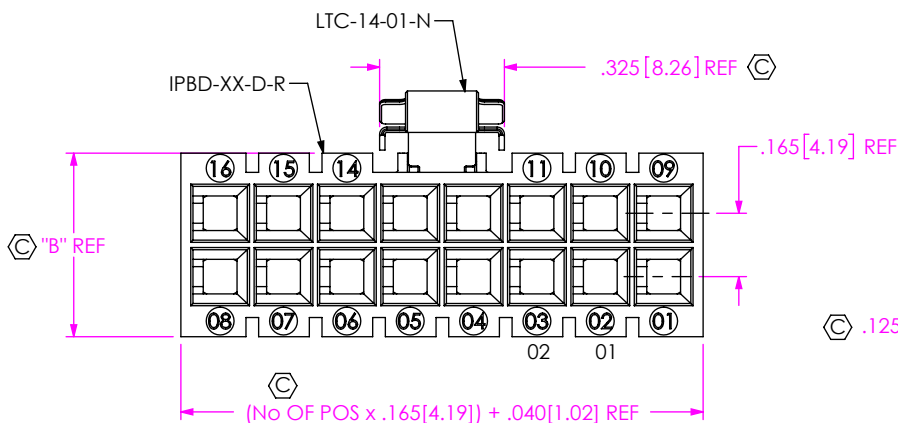
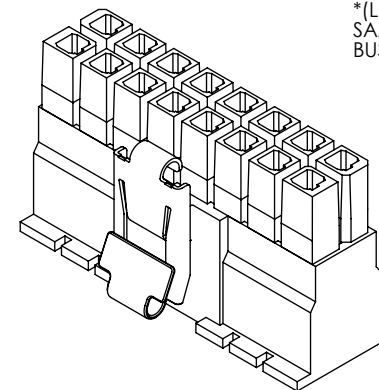
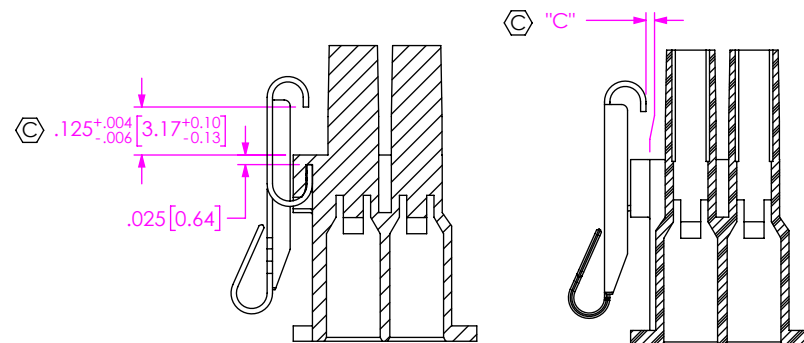


FIG 1  
(IPBD-08-D-M SHOWN)



SECTION "A"-"A"

SECTION "B"-"B"

TABLE 1

ROW SPECS	"A"	"B"	"C"	"D"	"E"
-S	.770 [19.56]	.313 [7.95]	.010 <sup>+0.012</sup> <sub>-.008</sub> [0.25 <sup>+0.30</sup> <sub>-.020</sub> ]	.223 [5.66]	.413 [10.49]
-D	.770 [19.56]	.478 [12.14]	.010±.008 [0.25±.020]	.362 [9.19]	.578 [14.68]

UNLESS OTHERWISE SPECIFIED,  
DIMENSIONS ARE IN INCHES.

TOLERANCES ARE:

DECIMALS ANGLES  
.XX: ±.01 [0.3] 2°  
.XXX: ±.005 [0.13]  
.XXXX: ±.0020 [0.051]

PROPRIETARY NOTE  
THIS DOCUMENT CONTAINS CONFIDENTIAL AND  
PROPRIETARY INFORMATION AND ALL DESIGN,  
MANUFACTURING, REPRODUCTION, USE, PATENT RIGHTS  
AND SALES RIGHTS ARE EXPRESSLY RESERVED BY SAMTEC,  
INC. THIS DOCUMENT SHALL NOT BE DISCLOSED, IN WHOLE  
OR PART, TO ANY UNAUTHORIZED PERSON OR ENTITY NOR  
REPRODUCED, TRANSFERRED OR INCORPORATED IN ANY  
OTHER PROJECT IN ANY MANNER WITHOUT THE EXPRESS  
WRITTEN CONSENT OF SAMTEC, INC.

MATERIAL: DO NOT SCALE DRAWING  
INSULATOR: NYLON UL 94 V0  
LATCH: NICKEL-PLATED BeCu

SHEET SCALE: 2:1

DESCRIPTION:  
.165[4.19] DISCRETE WIRE INSULATOR & LATCH ASM

DWG. NO. IPBD-XX-X-X-X

BY: T NEWTON 03/20/2008 SHEET 1 OF 2



520 PARK EAST BLVD, NEW ALBANY, IN 47150  
PHONE: 812-944-6733 FAX: 812-948-5047  
e-Mail: info@SAMTEC.com code: 55322

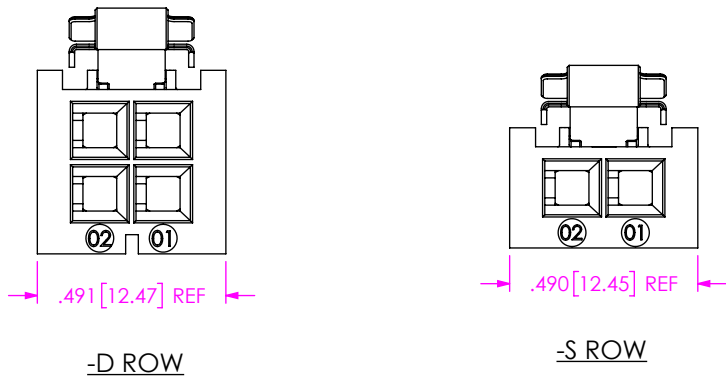


FIG 2  
(IPBD-02-X-M SHOWN)  
(SAME AS FIG 1, DIFFERENT AS SHOWN)

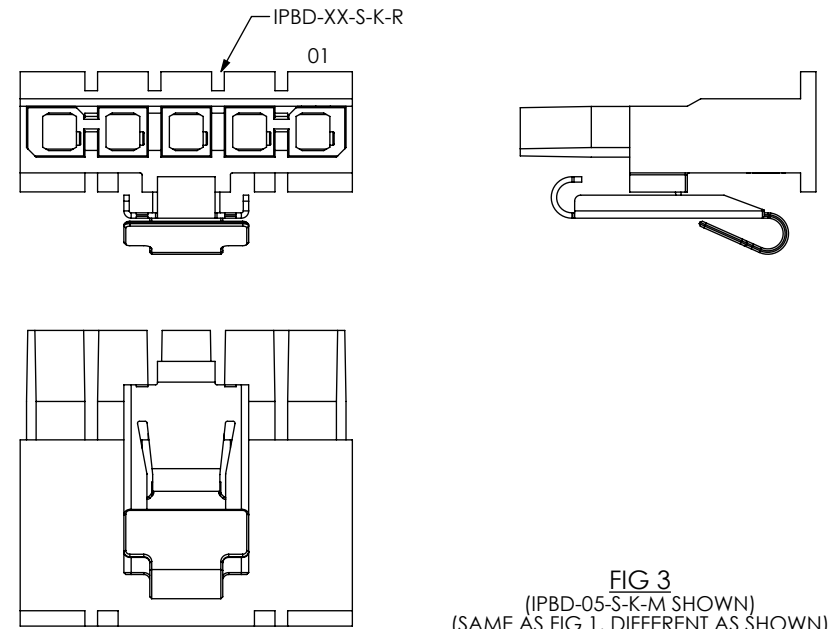


FIG 3  
(IPBD-05-S-K-M SHOWN)  
(SAME AS FIG 1, DIFFERENT AS SHOWN)

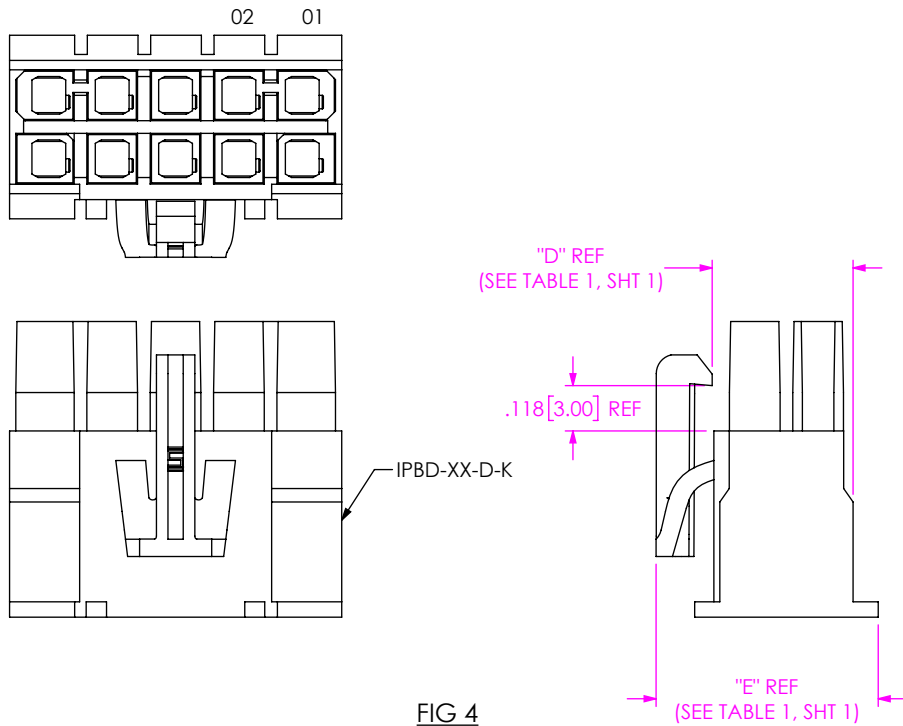
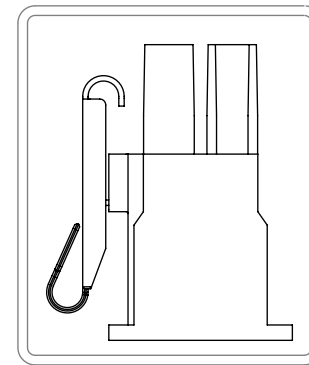
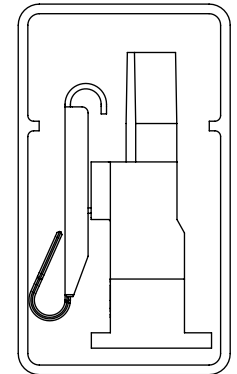


FIG 4  
(IPBD-05-D-K SHOWN)  
(SAME AS FIG 1, DIFFERENT AS SHOWN)



-D ROW  
TUBE: PT-1-24-03-56  
PLUG: TP-04



-S ROW  
TUBE: PT-1-24-02-74  
PLUG: TP-25

PACKAGING VIEW  
(SEE NOTE 4)

**PROPRIETARY NOTE**  
THIS DOCUMENT CONTAINS CONFIDENTIAL AND PROPRIETARY INFORMATION AND ALL DESIGN, MANUFACTURING, REPRODUCTION, USE, PATENT RIGHTS AND SALES RIGHTS ARE EXPRESSLY RESERVED BY SAMTEC, INC. THIS DOCUMENT SHALL NOT BE DISCLOSED, IN WHOLE OR PART, TO ANY UNAUTHORIZED PERSON OR ENTITY NOR REPRODUCED, TRANSFERRED OR INCORPORATED IN ANY OTHER PROJECT IN ANY MANNER WITHOUT THE EXPRESS WRITTEN CONSENT OF SAMTEC, INC.

DO NOT SCALE DRAWING

SHEET SCALE: 2:1

**samtec**

520 PARK EAST BLVD, NEW ALBANY, IN 47150  
PHONE: 812-944-6733 FAX: 812-948-5047  
e-Mail: info@SAMTEC.com code: 55322

DESCRIPTION:  
.165[4.19] DISCRETE WIRE INSULATOR & LATCH ASM

DWG. NO.

IPBD-XX-X-X-X

BY: T NEWTON 03/20/2008 SHEET 2 OF 2