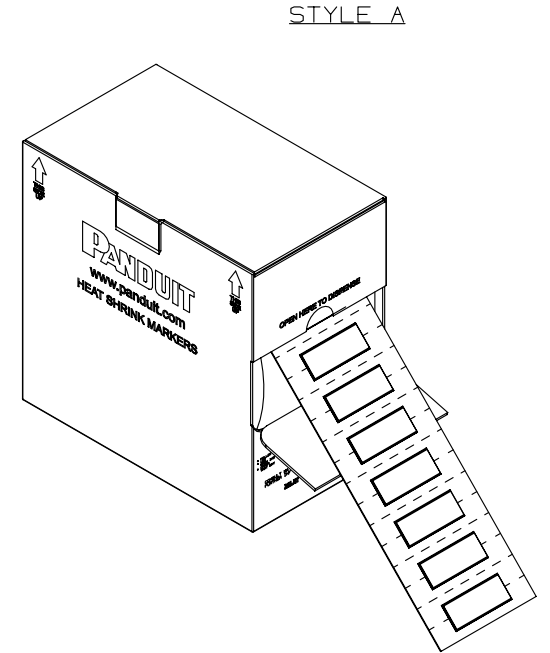
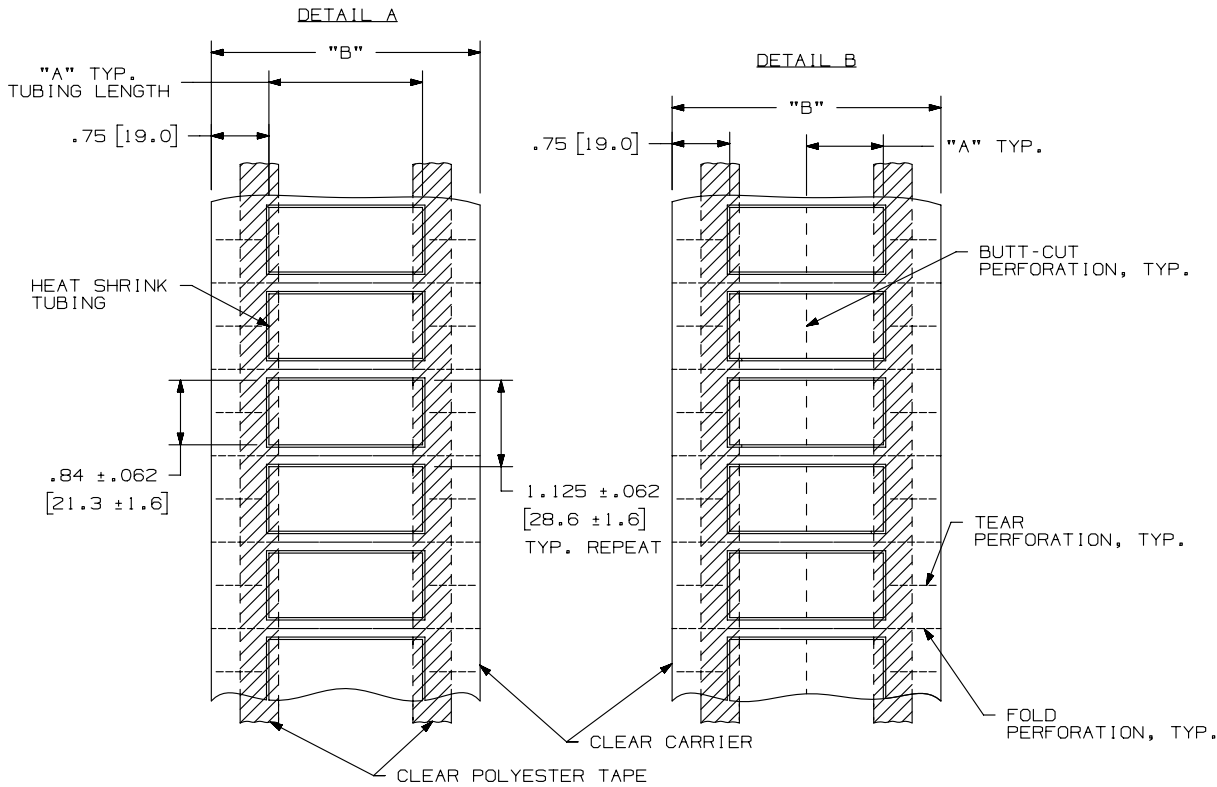


THIS COPY IS PROVIDED ON A RESTRICTED BASIS AND IS NOT TO BE USED IN ANY WAY DETRIMENTAL TO THE INTERESTS OF PANDUIT CORP.

NOTE:  
1. MILLIMETER ARE IN [ ].

PART NUMBER	SEE DETAIL	MATERIAL	"A" +/- .062	"B" +/- .062	INSIDE NOMINAL DIA.	MARKER ACROSS	TUBING COLOR	PKG. QTY.	SEE STYLE
H200X084HFT-2	A	GMUHF	2.00 [ 50.8 ]	3.50 [ 88.9 ]	1/2 in. [ 12.7 mm ]	1	WHITE	500	A
H200X084HGT-2	A		2.00 [ 50.8 ]				YELLOW		
H100X084HFT-2	B		1.00 [ 25.4 ]	2		WHITE	1000		
H100X084HGT-2	B		1.00 [ 25.4 ]			YELLOW			



REV	DATE	BY	CHK	APR	DESCRIPTION	ECN
2	2/4/13	RVU	DAPE	SEWH	REMOVE 100X84HFT-2-B, H200X084HFT-2-B, 100X84HGT-2-B, AND H200X084HGT-2-B.	GAECN00576
1	8/23/11	RVU	DAPE		*Change marker height tolerance from .032" to .062" to match other HST drawings tolerances. Update on view. REMOVE STYLE B.	6481
0	6/2/11	RVU	DAPE		DRAWING RELEASE.	6412

TITLE		<b>H***X084H*T-2 TWO-SIDED HEAT SHRINK LABEL, HALOGEN FREE</b>	
CUSTOMER DRAWING			
ITEM REVISION NAME		100472XN/02	
DATASET FILE NAME		100472XN-DC-C10930/02C	
UNLESS OTHERWISE SPECIFIED, DIMENSIONAL TOLERANCES ARE: IN [ mm ]		<b>PANDUIT</b> <sup>TM</sup>	
.x ± .12 [ 3.05 ]    .xxx ± .015 [ .381 ] .xx ± .062 [ 1.57 ]    ANGLES ±			
DRAWING NUMBER:		C10930	
DRAWN BY	DATE	CHK	SCALE
RVU	6/2/11	MSAD	NTS
SHT 1 OF 1		SIZE A	

D10100DA/12