

UNI-REG™

Manual

All Mikroelektronika's development systems feature a large number of peripheral modules expanding microcontroller's range of application and making the process of program testing easier. In addition to these modules, it is also possible to use numerous additional modules linked to the development system through the I/O port connectors. Some of these additional modules can operate as stand-alone devices without being connected to the microcontroller.

Additional board

 **MikroElektronika**

SOFTWARE AND HARDWARE SOLUTIONS FOR EMBEDDED WORLD ...making it simple

UNI-REG

The UNI-REG additional board is used to reduce and stabilize input voltage to the values selected by jumpers.

Key features:

- 7-23V AC or 9-32V DC input voltage;
- 1.8, 2.7, 3.3, 4, 5 or 12V output voltage;
- Up to 3A output current;

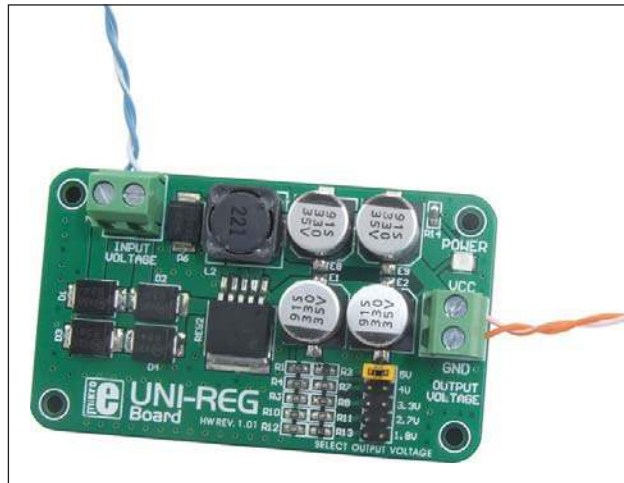


Figure 1: UNI-REG additional board

How to connect the board?

The UNI-REG additional board is connected to the power supply source via a screw connector CN1. The regulated voltage is delivered via a screw connector CN2. Voltage value to be supplied to the CN2 connector is selected by jumpers J1-J5, Figure 2. Next to each jumper, there is a designation indicating the voltage to be selected by using these jumpers. When jumpers are not placed, the output voltage is 12V, provided that the output voltage is higher than 12V, Figure 2F.

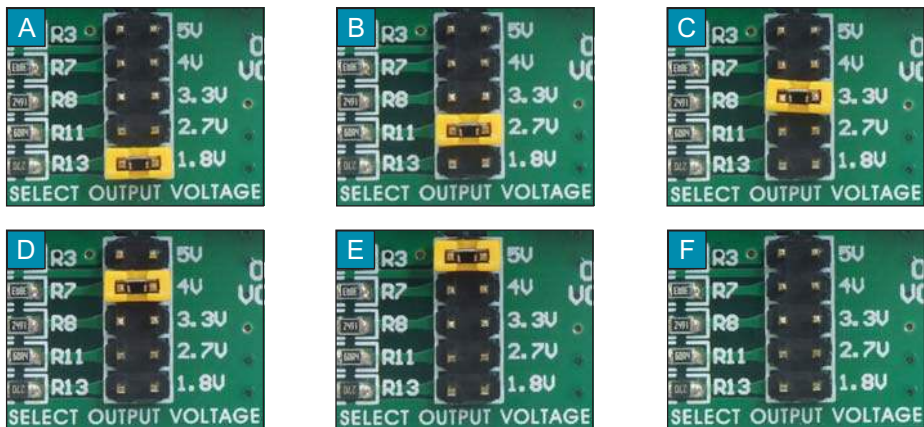


Figure 2: Jumpers

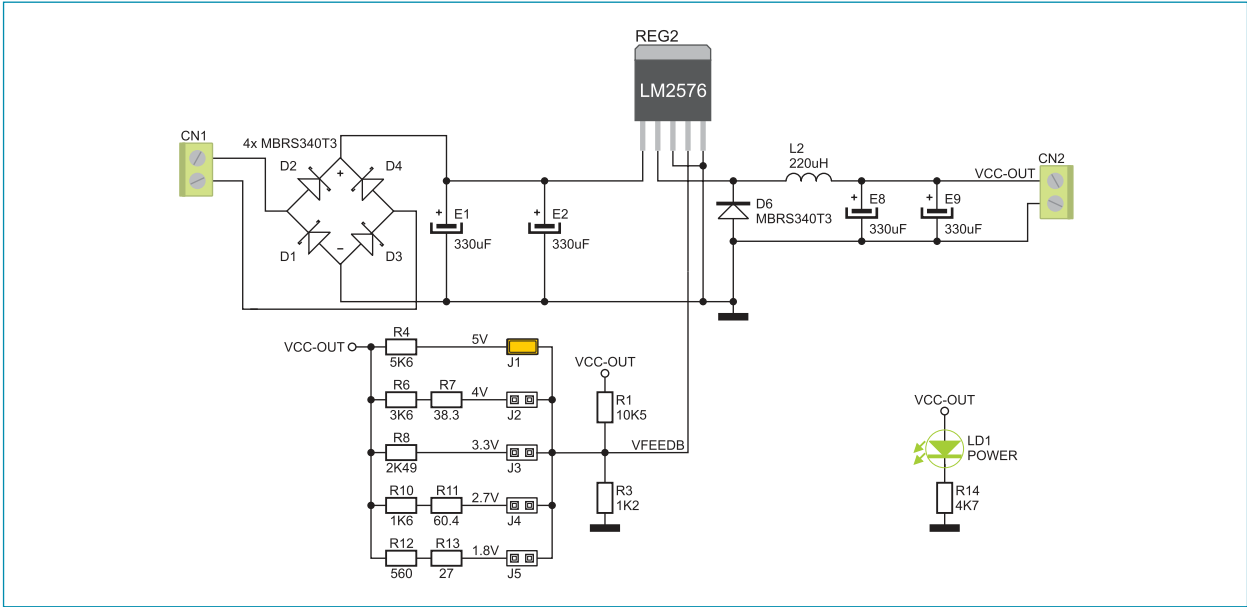


Figure 3: UNI-REG additional board connection schematic

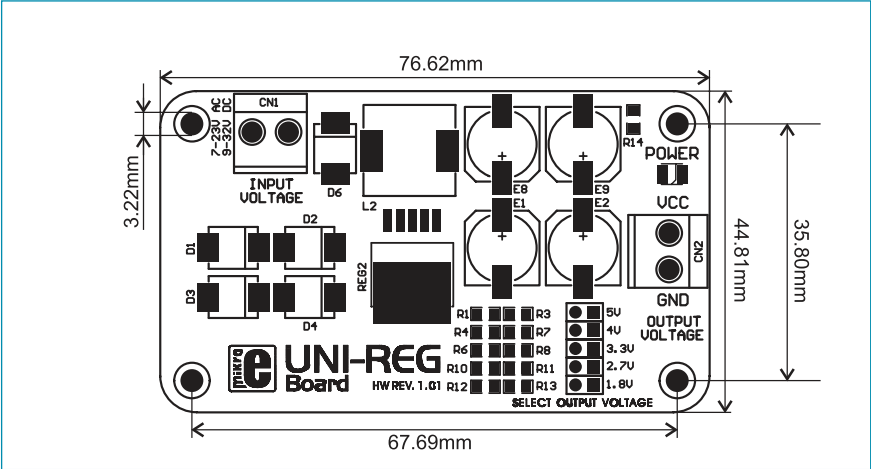


Figure 4: Dimensions of the UNI-REG additional board



MikroElektronika
SOFTWARE AND HARDWARE SOLUTIONS FOR EMBEDDED WORLD ...making it simple

If you want to learn more about our products, please visit our website at www.mikroe.com

If you are experiencing some problems with any of our products or just need additional information, please place your ticket at www.mikroe.com/en/support

If you have any questions, comments or business proposals, do not hesitate to contact us at office@mikroe.com