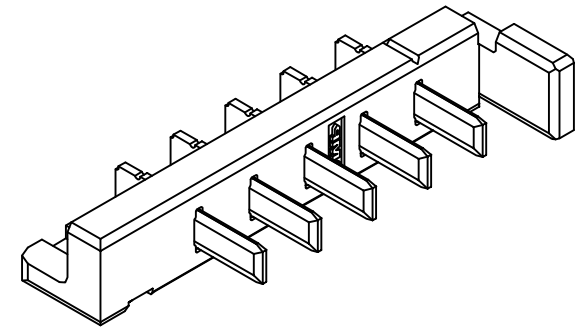
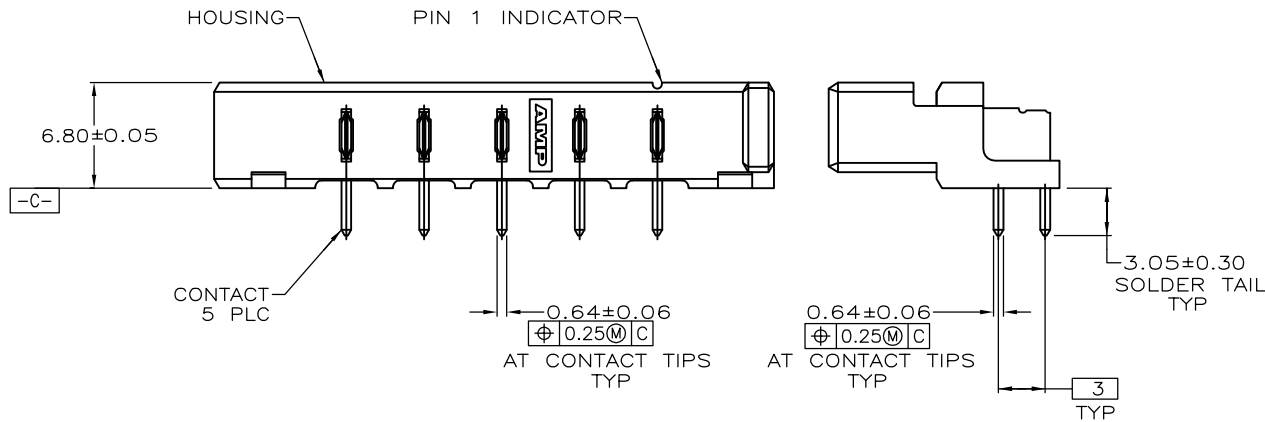
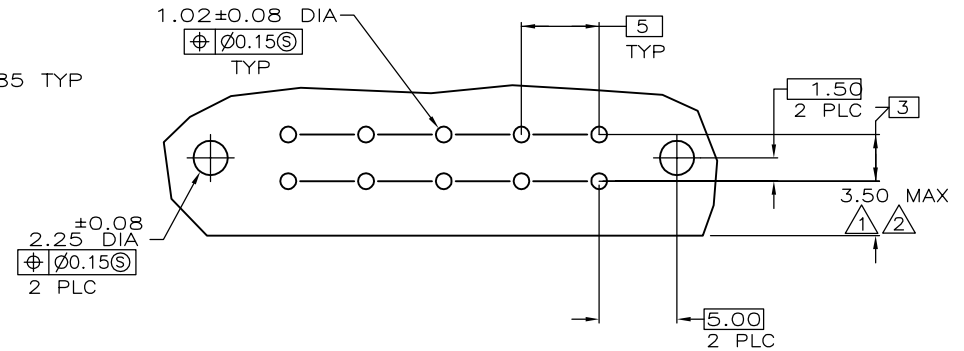
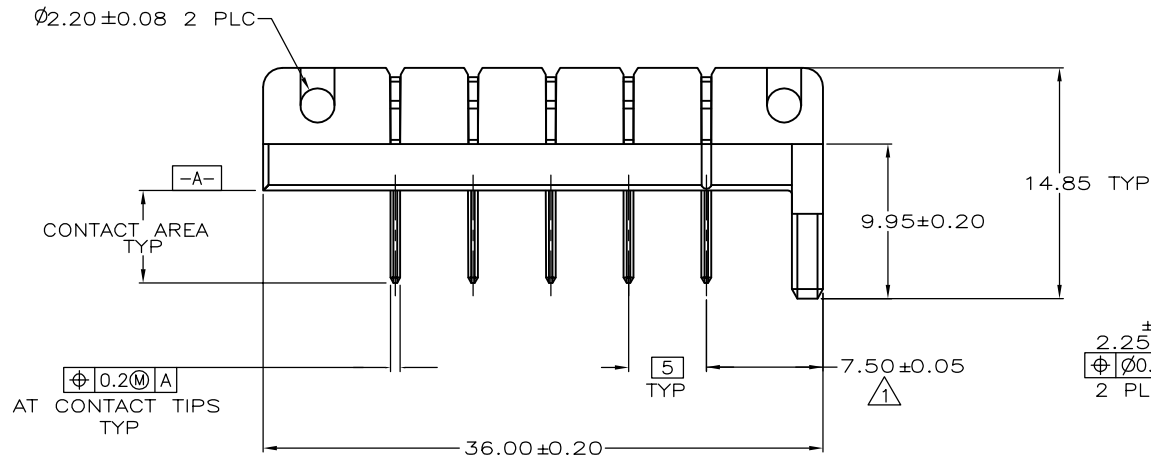


LOC	DIST	REVISIONS					
ES	00	P	LTR	DESCRIPTION	DATE	DWN	APVD
		0		RELEASED ECR-05-001438	29MAR05	J.Z	I.E



P/N: 5787366-1

- ⚠ COORDINATE DIMENSION APPLIES FROM CENTER OF ACTUAL FEATURE.
- ⚠ DIMENSION CAN BE EXCEEDED FOR APPLICATIONS WHERE FINAL MATED POSITION OF PACK IS ABOVE TOP SURFACE OF PCB.
- ⚠ HOUSING: LCP, COLOR BLACK; CONTACTS: BRASS
- ⚠ CONTACTS: 2.54um MIN TIN ON SOLDER TAIL OVER 1.90um MIN NICKEL ALL OVER.

THIS DRAWING IS A CONTROLLED DOCUMENT.		DWN	1-5-95		Tyco Electronics Corporation Shanghai PRC			
DIMENSIONS:		CHK	1-9-95		NAME			
mm		APVD	1-9-95		R.S. KLINE			
TOLERANCES UNLESS OTHERWISE SPECIFIED:		PRODUCT SPEC		HEADER ASSEMBLY, RIGHT ANGLE, RIGHT VOLTAGE KEY, 12V, BATTERY INTERCONNECTS				
0 PLC ± -		APPLICATION SPEC		SIZE	CAGE CODE	DRAWING NO	RESTRICTED TO	
1 PLC ± -		WEIGHT		A3	00779	C-5787366	-	
2 PLC ± 0.10		CUSTOMER DRAWING		SCALE	3:1	SHEET	1 OF 1	
3 PLC ± -							REV	
4 PLC ± -							0	
ANGLES ± -								
MATERIAL								
FINISH								