

# MICRO SWITCH

FREERPORT ILLINOIS, U.S.A  
A DIVISION OF HONEYWELL  
FED. MFG. CODE 91929

# SWITCH - BASIC

CATALOG LISTING  
**YZ-R296-A2**

YZ-R296-A2

**M**

DRAWING NUMBER

4

ISSUE

REPLACES X77807-YZ

RELEASE NO. PR-12892

CHECK

**REVISIONS**

A	CO-73287-J	J A H	22 NOV 93
B	CO-77588	K D R	29 MAR 94
C	0000713	J A H	30 JUN 03

CHECK

11 APRIL 84

CHECK

11 APRIL 84

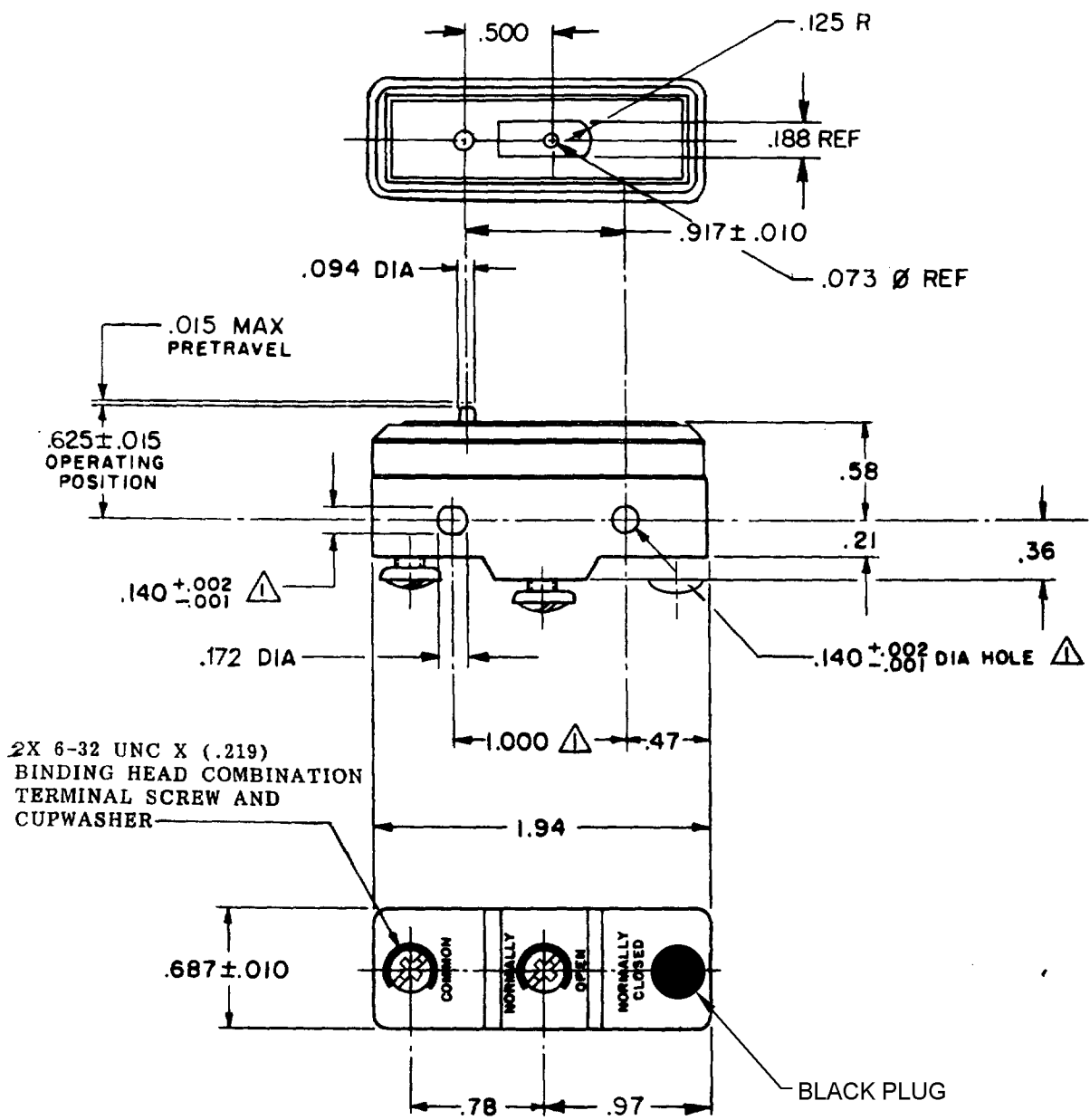
CHECK

11 APRIL 84

RASTER

DRAWN

J A S



**NOTE**  
MOUNTING HOLES WILL ACCEPT PINS OR SCREWS OF .139 MAX DIA ON 1.000 ± .002 CENTERS

THIS DRAWING COVERS A PROPRIETARY ITEM AND IS THE PROPERTY OF MICRO SWITCH, A DIVISION OF HONEYWELL. THIS DRAWING IS NOT TO BE COPIED OR USED WITHOUT THE APPROVAL OF MICRO SWITCH.

THIRD ANGLE PROJECTION

**CHARACTERISTICS**

OPERATING FORCE ----- 7-9 OZ  
RELEASE FORCE ----- 4 OZ MIN  
DIFFERENTIAL TRAVEL ----- .0005 MAX  
OVERTRAVEL ----- .005 MIN

**ELECTRICAL DATA**

CONTACT ARRANGEMENT  
S P N O

CODE L103 15A-125, 250 OR 480 VAC  
1/8HP-125 VAC; 1/4HP-250 VAC



SCALE FULL

DO NOT SCALE PRINT

TOLERANCES  
APPLY TO DESIGN UNITS. CONVERSIONS ARE ONLY FOR REFERENCE. UNLESS NOTED, TOLERANCES ARE ±

	DES.	TOL.	DES.	TOL.
	mm	mm/in	in	mm/in
NO PLACES	X	1/.04		
ONE PLACE	X,X	0.4/.016	X,X	3.8/.03
TWO PLACES	X,X,X	0.15/.006	X,X,X	0.38/.018
THREE PLACES	X,X,X,X		X,X,X,X	0.13/.006

DESIGN UNITS  SI METRIC  US CUSTOMARY

WEIGHT