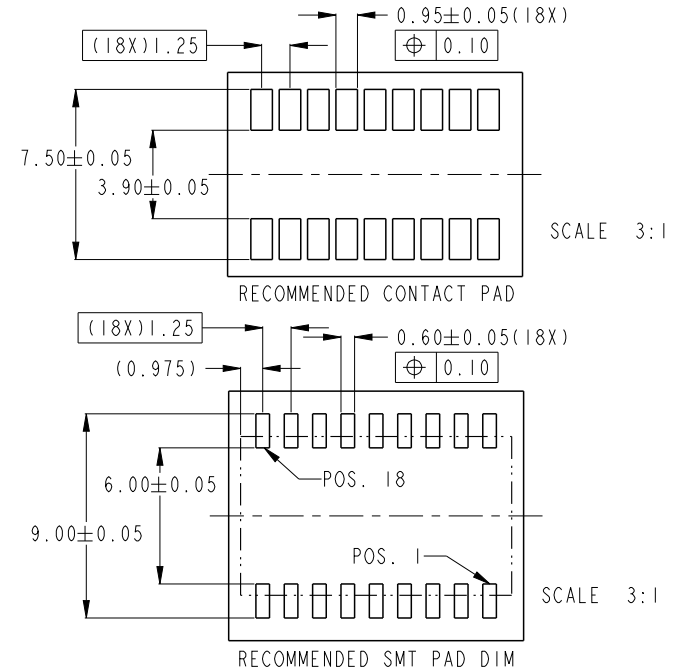
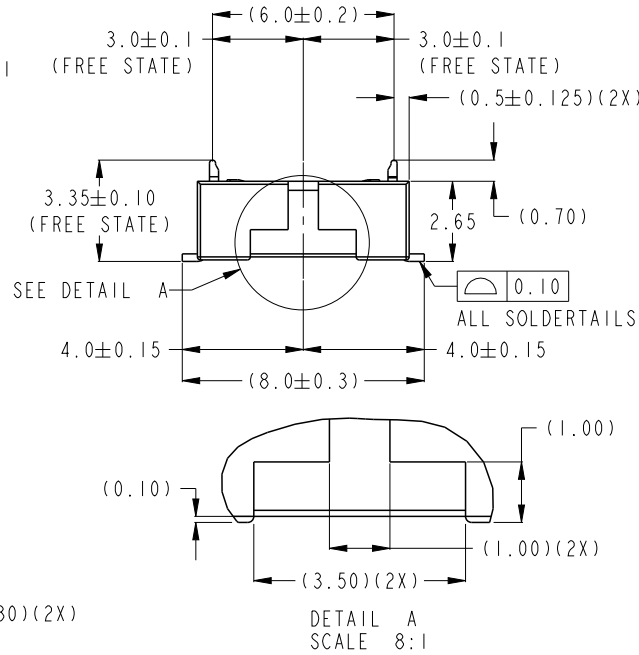
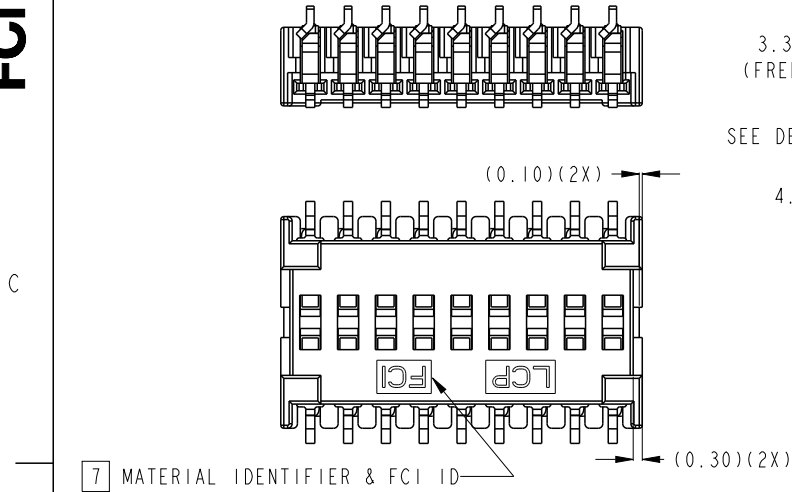
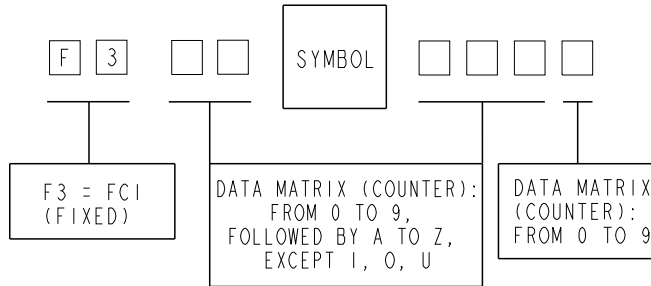
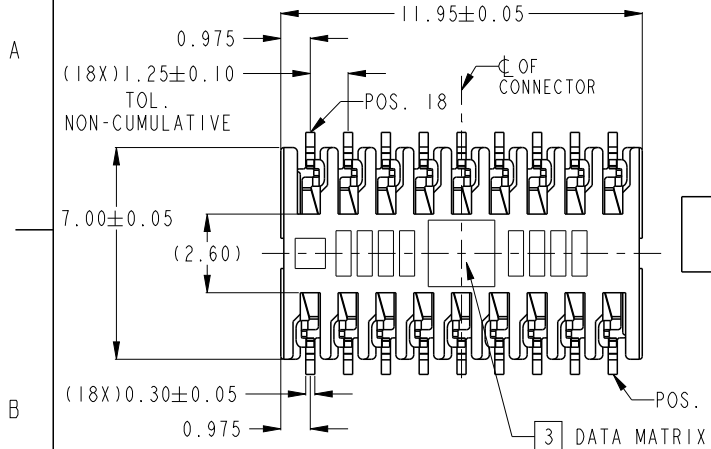
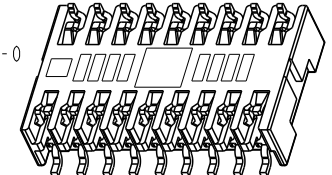


PRODUCT No.
10103958-001LF

VERICODE IDENTIFICATION:
(SERIAL NUMBER ID)

NOTES:

- MATERIAL:
HOUSING: LCP, BLACK, UL94 V-0
CONTACT: COPPER ALLOY
- FINISH:
0.76um MIN, MATTE TIN OVER
0.76um, NICKEL PLATING
- DATA MATRIX CODING
OF 8 DIGITS (8 DIGITS, HUMAN READABLE) SCALE 3:1
USING ALPHANUMERIC, EXCEPT I, O, U FOR 3rd-7th DIGIT,
USING NUMBER ONLY FOR 8th DIGIT (REFER DIAGRAM)
- PACKAGING TAPE AND REEL
- THE HOUSING WILL WITHSTAND EXPOSURE TO 260° PEAK
TEMPERATURE FOR 10 SECONDS IN A CONVECTION, INFRA-RED
OR VAPOR PHASE REFLOW OVEN.
- THIS PRODUCT MEETS EUROPEAN UNION DIRECTIVES AND
OTHER COUNTRY REGULATIONS AS DESCRIBED ON GS-22-008.
- APPROXIMATED LOCATION FOR MATERIAL IDENTIFIER & FCI ID.
- WORKING HEIGHT: 2.90±0.135mm



spec ref	-	dr	Koon-Poh Tay	2011/08/18	projection 	MM ←→	size	A4	scale	4:1
tolerance std	ASME Y14.5	eng	Dennis Goh	2023/07/17			ecn no	ELX-S-48786-1		
TOLERANCES UNLESS OTHERWISE SPECIFIED		chr	-	-			rel level	Released		
surface	ASME Y14.5	appr	Koon-Poh Tay	2023/07/24	product family	-	dwg no	10103958	rev	D
	linear				Amphenol FCI	COMPRESSION CONNECTOR				
					www.fci.com	1.25mm PITCH				
	angular				cat. no.	-	Product - Customer Drw	sheet 1 of 1		