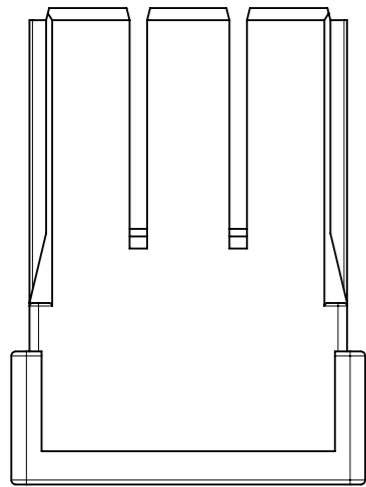
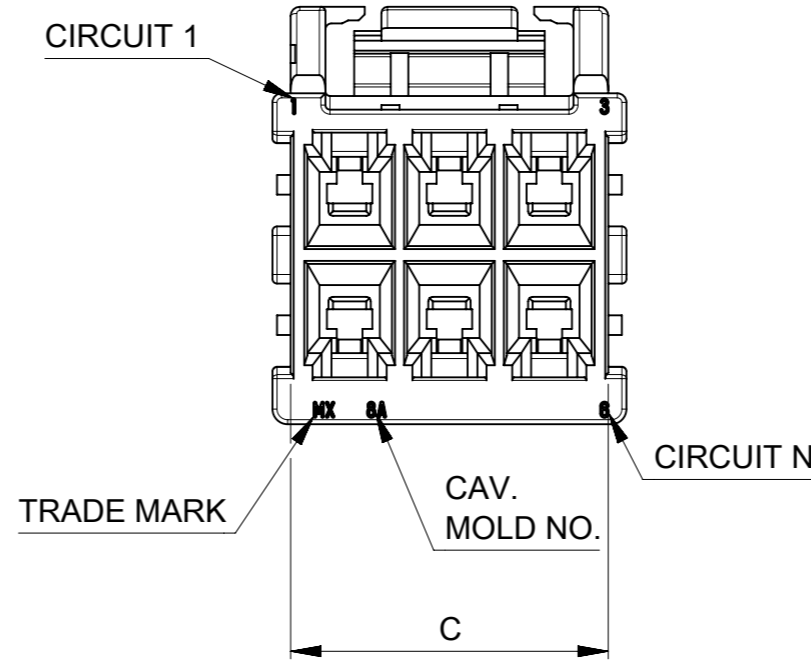
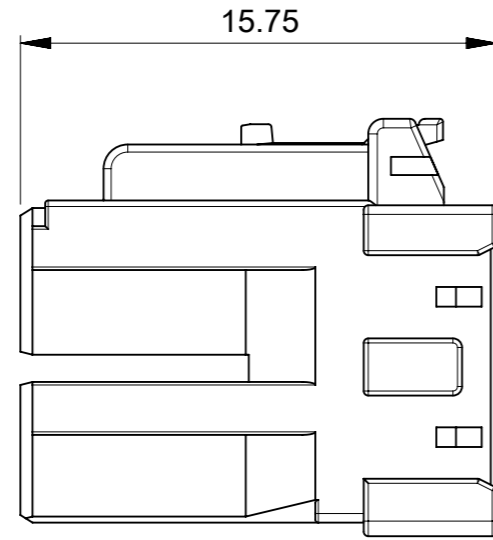
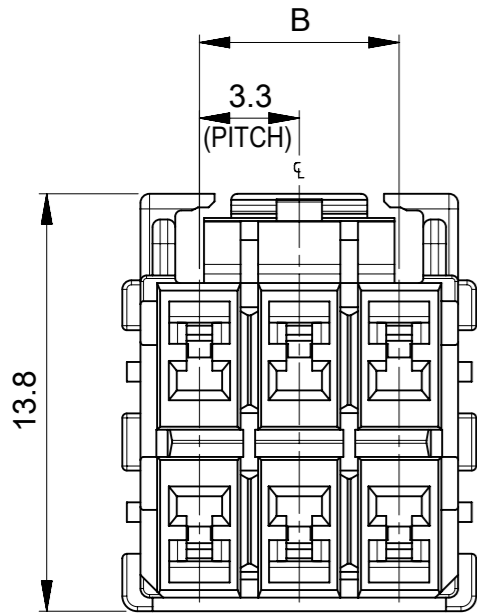


ターミナル及びリテーナー装着状態図  
TERMINAL AND RETAINER ASSEMBLY DRAWING



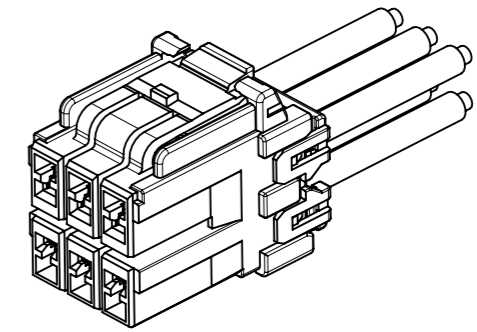
NOTES

- △1 材料：TABLE1参照  
MATERIAL:SEE TABLE 1
- △2 製品仕様書、アプリケーション仕様書、適合嵌合相手、適合ターミナル、適合リテーナーはSHEET2を御参照下さい  
PLEASE REFER TO SHEET 2 FOR PRODUCT SPECIFICATION, APPLICATION SPECIFICATION, APPLY MATE PARTNER, APPLY TERMINAL, APPLY RETAINER
- 3. 本製品のプラスチック部に黒点・白点等が確認される場合や色合いが異なる場合がありますが、製品性能に影響はありません。  
THERE IS NO INFLUENCE IN THE PRODUCT PERFORMANCE THOUGH THE BLACK AND WHITE SPOT ETC. MIGHT BE CONFIRMED TO THE PLASTIC PART OF THIS PRODUCT AND THE SHADE MIGHT BE DIFFERENT.
- △4 発注番号：SHEET 2 参照  
ORDER No. : PLEASE REFER TO SHEET 2 FOR PRODUCT LIST.

212209 - 2\*\*\*

ハウジングカラー HOUSING COLOR
0 : NATURAL(BEIGE)
1 : BLACK
2 : RED
3 : YELLOW

極数  
CIRCUIT SIZE



10.5	6.6	11.7	6
7.2	3.3	8.4	4
4.7	-	6.3	2
C	B	A	極数 CIRCUIT SIZE

△1 TABLE

部品 PART	材質 MATERIAL
ハウジング HOUSING	ポリアミド(PA), UL94 V-0, ガラス含有, 色, SEE CHART POLYAMIDE(PA), UL94 V-0, GLASS FIELD, COLOR, SEE CHART
DOCUMENT STATUS	P1   RELEASE DATE   2020/11/25 10:07:02

THIS DRAWING CONTAINS INFORMATION THAT IS PROPRIETARY TO MOLEX ELECTRONIC TECHNOLOGIES, LLC AND SHOULD NOT BE USED WITHOUT WRITTEN PERMISSION		CURRENT REV DESC:		<b>molex</b>	
DIMENSION UNITS	SCALE				
mm	NTS			CP-3.3 W/B RECEPTACLE HOUSING DUAL ROW	
GENERAL TOLERANCES (UNLESS SPECIFIED)				PRODUCT CUSTOMER DRAWING	
ANGULAR TOL	± 3.0 °			DOCUMENT NUMBER	
4 PLACES	± 0.2	EC NO: 649906		2122090000-SD	
3 PLACES	± 0.2	DRWN: HKOBAYASHI		DOC TYPE	
2 PLACES	± 0.2	CHK'D: AIDA		PSD	
1 PLACE	± 0.2	APPR: KOMURAKAMI		DOC PART	
0 PLACES	± 0.2	INITIAL REVISION:		000	
		DRWN: HKOBAYASHI		A	
		APPR: KOMURAKAMI			
DRAFT WHERE APPLICABLE MUST REMAIN WITHIN DIMENSIONS		THIRD ANGLE PROJECTION	DRAWING	SERIES	MATERIAL NUMBER
			A3-SIZE	212209	SEE CHART
					CUSTOMER
					GENERAL
					SHEET NUMBER
					1 OF 2

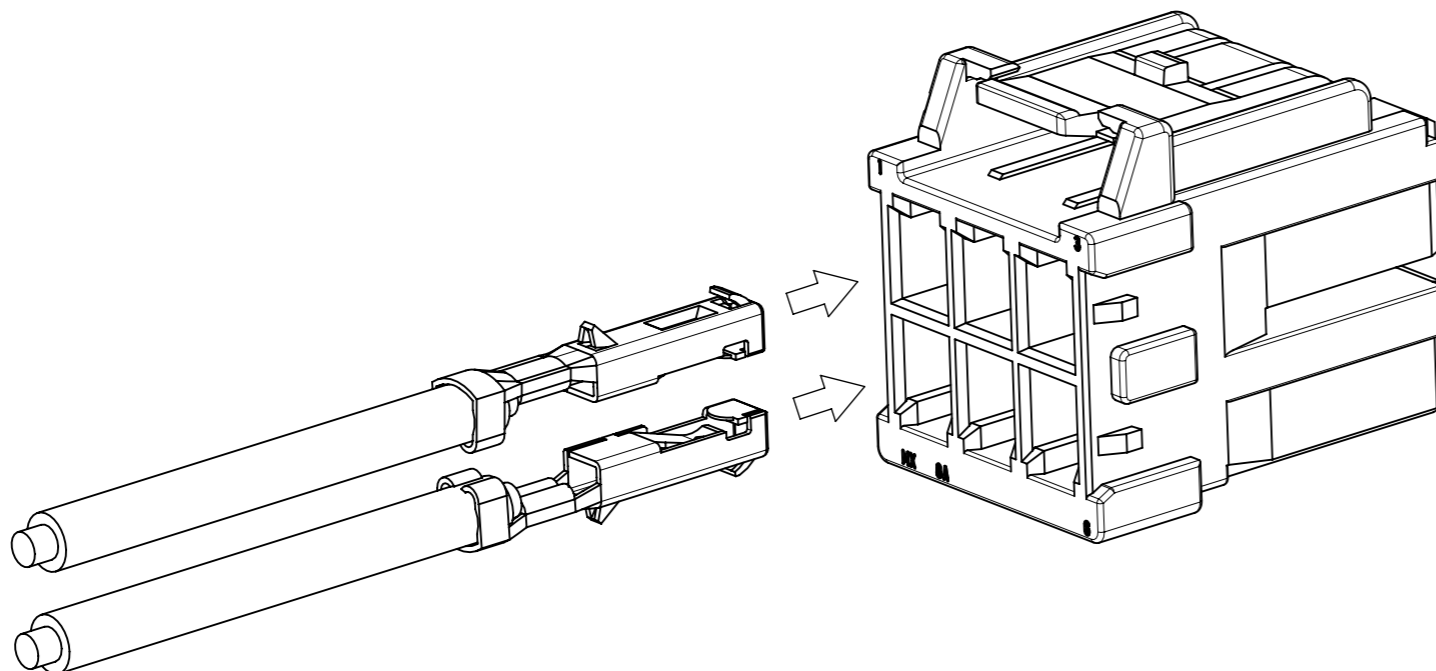
△ 2 適応製品及び各種仕様書  
 APPLICABLE PRODUCTS AND VARIOUS SPECIFICATIONS

梱包仕様書 PACKING SPECIFICATION	PART NUMBER	SPECIFICATION NUMBER
	2122092***	2122099200-SPK 200

適合端子 APPLY TERMINAL	PART NUMBER	PLATING TYPE	WIRE SIZE(AWG)
	5056070*01	TIN PLATING	#18-#20
	503978*01		#22-#24
503978*02	#26-#28		

適合リテーナー APPLICABLE RETAINER	212213
シリーズ番号 SERIES No.	
嵌合相手 APPLY MATE	THROUGH HOLE
	VERTICAL
シリーズ番号 SERIES NUMBER	212210
製品仕様書 PRODUCT SPECIFICATION	2122090000-PS 000
アプリケーション仕様書 APPLICATION SPECIFICATION	2166940000-AS 000

製品嵌合図は各嵌合相手図参照のこと  
 MATING VIEW : REFER TO EACH "MATE WITH " PART DRAWING.



△ 4 製品一覧  
 PRODUCTS LIST

HOUSING COLOR				
YELLOW	RED	BLACK	NATURAL (BEIGE)	
2122092063	2122092062	2122092061	2122092060	6
2122092043	2122092042	2122092041	2122092040	4
2122092023	2122092022	2122092021	2122092020	2
発注番号 : ORDER NO.				極数 CIRCUIT NO.

梱包形態 : ポリ袋  
 PACKAGE: POLY BAG

THIS DRAWING CONTAINS INFORMATION THAT IS PROPRIETARY TO MOLEX ELECTRONIC TECHNOLOGIES, LLC AND SHOULD NOT BE USED WITHOUT WRITTEN PERMISSION										
DIMENSION UNITS	SCALE	CURRENT REV DESC:			<b>molex</b>					
mm	NTS									
GENERAL TOLERANCES (UNLESS SPECIFIED)		EC NO: 649906			CP-3.3 W/B RECEPTACLE HOUSING DUAL ROW					
ANGULAR TOL	± 3.0 °	DRWN: HKOBAYASHI 2020/07/02			PRODUCT CUSTOMER DRAWING					
4 PLACES	± 0.2	CHK'D: AIDA 2020/11/25			DOCUMENT NUMBER					
3 PLACES	± 0.2	APPR: KOMURAKAMI 2020/11/25			2122090000-SD			DOC TYPE	DOC PART	REVISION
2 PLACES	± 0.2	INITIAL REVISION:			2020/07/02			PSD	000	A
1 PLACE	± 0.2	DRWN: HKOBAYASHI 2020/07/02			2020/11/25					
0 PLACES	± 0.2	APPR: KOMURAKAMI								
DRAFT WHERE APPLICABLE MUST REMAIN WITHIN DIMENSIONS		THIRD ANGLE PROJECTION	DRAWING	SERIES	MATERIAL NUMBER	CUSTOMER	SHEET NUMBER			
			A3-SIZE	212209	SEE CHART	GENERAL	2 OF 2			