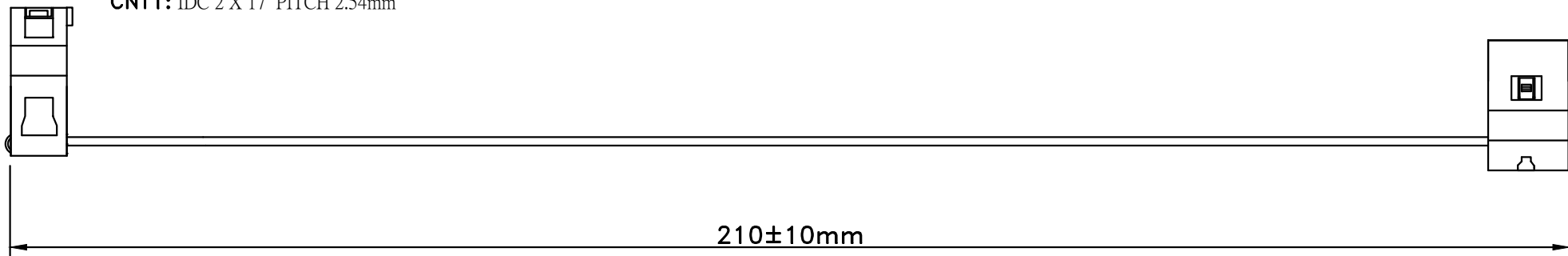


CNT2: IDC PIN 2 x 17 PITCH 2.54mm

CNT1: IDC 2 X 17 PITCH 2.54mm



ELECTRICAL PROPERTIES:

1. 100% OPEN SHORT MIS-WIRE TEST
2. Contact Resistance: 2 ohm max
3. Insulation resistance: 10Mega ohm MIN
4. Hi-Pot: 300V DC/10ms

| | | |
|--------|------|--------|
| CNT 1: | | CNT 2: |
| 1 | RED | 1 |
| 2 | GRAY | 2 |
| | ↓ | |
| 33 | GRAY | 33 |
| 34 | GRAY | 34 |

| | | | |
|--|--------------------------|--|--|
| Tolerance: X. ± .X ± .XX ± .XXX ± X' ± .X' ± | Approved by: | SMOOTH CORD & CONNECTOR CO., LTD. SMOOTH | |
| | Checked by: | | customer p/n: IDC 34P / IDC PIN 34P |
| | Drawn by: | | Smooth p/n: |
| | Date: 2015.10.22 | | Description: |
| | Scale: Unit: None m/m | | DWG NO: |
| Specification Use Only | | SHEET: 1/1 REV: B | |

| NO. | DESCRIPTION | QTY | UNITS |
|-----|------------------------------------|-----|-------|
| 3 | CNT 2: IDC PIN 2 x 17 PITCH 2.54mm | 1 | PCS |
| 2 | CNT 1: IDC 2 X 17 PITCH 2.54mm | 1 | PCS |
| 1 | UL2561 28AWG PITCH 1.27mm 34C | 1 | PCS |