

PART NUMBER	ENGINEERING NUMBER	FINISH LENGTH
1300060217	103000A01F030	3.00 FT [0.9M]
1300060221	103000A01F060	6.00 FT [1.8M]
1300060229	103000A01F090	9.00 FT [2.7M]
1300060232	103000A01F120	12.00 FT [3.7M]
1300060237	103000A01F150	15.00 FT [4.6M]
1300060241	103000A01F200	20.00 FT [6.1M]
1300060246	103000A01F250	25.00 FT [7.6M]
1300060250	103000A01F300	30.00 FT [9.1M]
1300060253	103000A01F350	35.00 FT [10.7M]
1300060254	103000A01F400	40.00 FT [12.2M]

PART NUMBER	ENGINEERING NUMBER	FINISH LENGTH
1300060268	103000A01M050	5M [16 FT 5 IN]
1300060270	103000A01M300	30M [98 FT 5 IN]

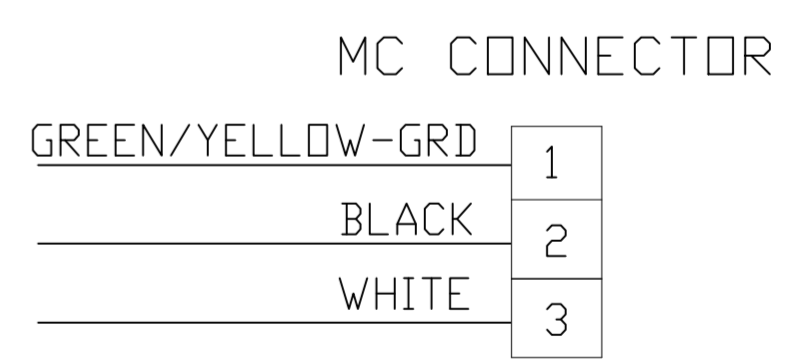
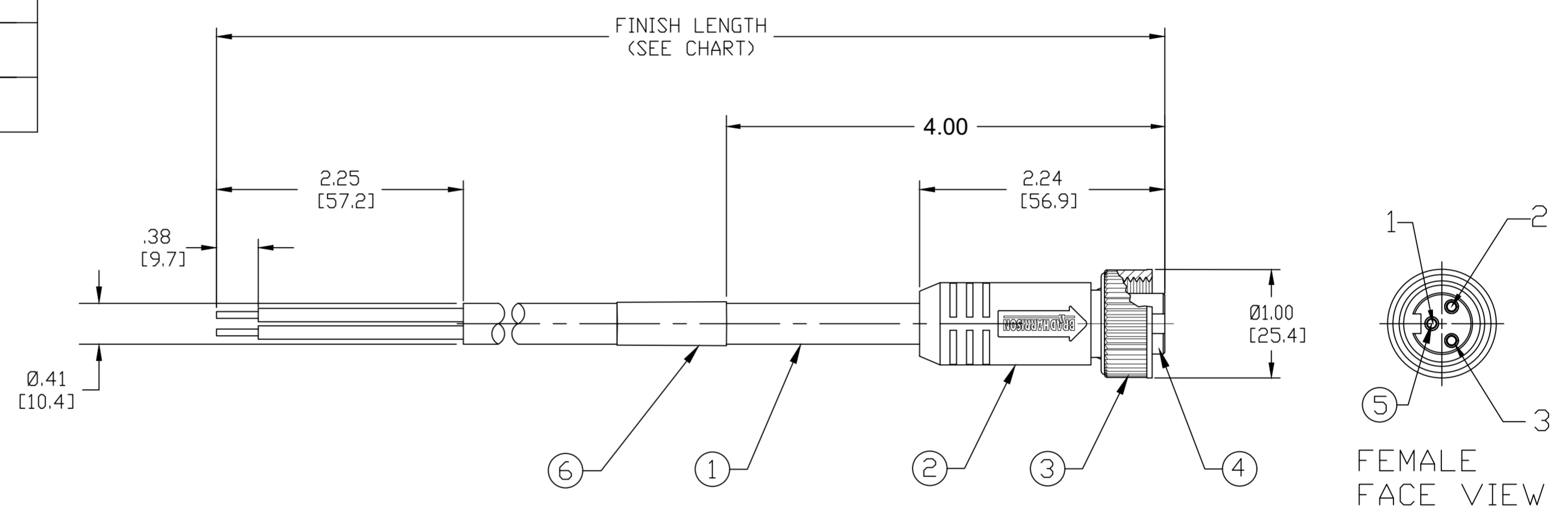
PART NUMBER LEGEND

103000A01F030

FINISHED LENGTH:
 F020= 2 FEET
 M005= 0.5 METER
 M010= 1.0 METER
 M100= 10.0 METERS

CABLE LENGTH TOLERANCES	
>.3M [1FT]:	+19mm-0 [+1.75in-0]
.3 - .9M [1 - 3FT]:	+44.5mm-0 [+1.75in-0]
.9 - 1.8M [3 - 6FT]:	+55.6mm-0 [+2.19in-0]
1.8 - 3.7M [6 - 12FT]:	+88.9mm-0 [+3.50in-0]
3.7 - 7.3M [12 - 24FT]:	+165.1mm-0 [+6.50in-0]
7.3-14.6M [24 - 48FT]:	+317.5mm-0 [+12.50in-0]
14.6 - 30.5M [48-100FT]:	+622.3mm-0 [+24.50in-0]
OVER 30M [100FT]	+2% OF FINISHED LENGTH

- NOTES:**
- MATERIAL: AS NOTED
 - FINISH: AS NOTED
 - ELECTRICAL:
 VOLTAGE: 500V PER IEC 60664 ©
 600V PER UL 2238 ©
 CURRENT: 13A
 - TEMP RATING: -20°C TO +105°C
 - PROTECTION: IP67 (WHEN MATED)
 - COUPLING THREAD: 7/8-16 UN
 - UL RECOGNIZED FILE: E152210
 CSA CERTIFIED FILE: LR6837
 - ALL DIMS ARE FOR REFERENCE UNLESS TOLERANCED OR NOTED OTHERWISE ©



WIRING DIAGRAM

ITEM	QTY.	DESCRIPTION	MATERIAL	FINISH
6	1	LABEL	VINYL	BLACK/YELLOW
5	3	CONTACT SOCKET	COPPER ALLOY	GOLD PLATED
4	1	INSERT	TPE ©	YELLOW
3	1	COUPLING NUT	ZINC DIE CAST	BLACK
2	1	OVERMOLD	TPE ©	YELLOW
1	1	CABLE, 16AWG-3 TYPE ST00W	PVC	YELLOW

FUNCTIONAL SYMBOLS FA=0 FC=0 FP=0	THIS DRAWING CONTAINS INFORMATION THAT IS PROPRIETARY TO MOLEX ELECTRONIC TECHNOLOGIES, LLC AND SHOULD NOT BE USED WITHOUT WRITTEN PERMISSION		CURRENT REV DESC: INSERT AND O-MOLD WAS PVC, UPDATED NOTES FOR IEC AND REF. DIMS	
	DIMENSION UNITS INCH/MM	SCALE 1:1	EC NO: 639458	
	GENERAL TOLERANCES (UNLESS SPECIFIED)		DRWN: RSTONE	2020/06/11
	4 PLACES ±--- ±---		CHK'D: MZIELINSKI	2020/06/12
DIVISIONAL SYMBOLS	3 PLACES ±--- ±---		APPR: BWOODMAN	2020/06/15
	2 PLACES ±--- ±---		INITIAL REVISION:	
	1 PLACE ±--- ±---		DRWN: TWOLDEGE	2009/07/10
	0 PLACES ±--- ±---		APPR: JFMURPHY	2009/08/10
ANGULAR TOL ± --- °		THIRD ANGLE PROJECTION	DRAWING	SERIES
DRAFT WHERE APPLICABLE MUST REMAIN WITHIN DIMENSIONS			C-SIZE	130006
DOCUMENT STATUS		P1	RELEASE DATE	2020/06/15 22:26:14

molex

MINI CHANGE ASSEMBLY
 3-POLE FEMALE ST 16/3AWG PVC

PRODUCT CUSTOMER DRAWING

DOCUMENT NUMBER	DOC TYPE/DOC PART	REVISION
SD-130006-008	PSD	001 C
MATERIAL NUMBER	CUSTOMER	SHEET NUMBER
	GENERAL MARKET	1 OF 1