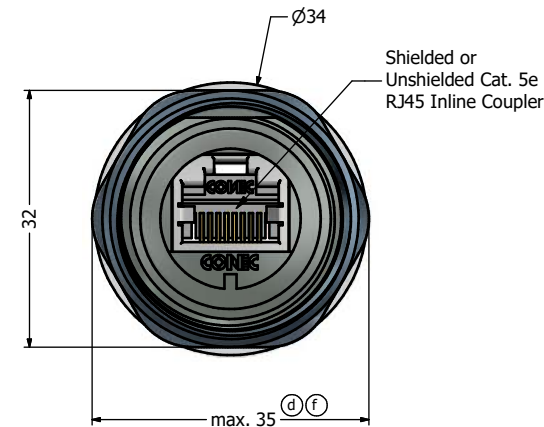
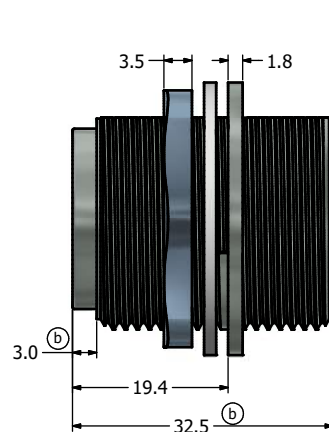
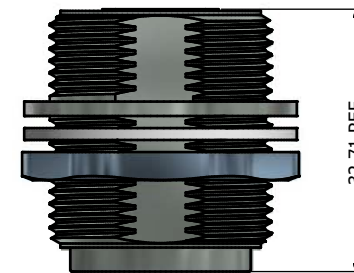


Recommended Panel Cutout (d)



Notes:

- Electrical Specifications:
 - Meets EIA/TIA-568-B.2 Cat.5e Specification
 - Contact Resistance: 20mOhm max.
 - Insulation Resistance: 500MOhm min. @ 100 VDC
 - Current Rating: 1.2A max. at 25° C
 - Working Voltage: 100 VDC
 - DWV: 1000 VDC/60s Contact to Contact, 1500 VDC/60s Contact to Metal Shell
 - Operating Temperature: -40° C to +85° C
- Material and Finish:
 - Ⓢ- Receptacle Housing: Zinc Die-Cast, Nickel Plated
 - Panel Nut: Brass, Nickel Plated
 - Panel Gasket: Silicone, Color: White
 - RJ45 Jack Metal Shell: Copper Alloy, Nickel Plated
 - RJ45 Jack Plastic Housing: Glass filled PBT UL94 V-0, Color: Black
 - RJ45 Jack Contacts: Phosphor Bronze, Finish: 50u" Gold min. over Nickel
- Connector can be front or rear mounted to a maximum panel thickness of 3.2mm.
- IP67 rated when fully mated with appropriate mating connector

(c)	Description	Part Number
	Metal Version with Shielded RJ45 Inline Coupler	17-100934
	Metal Version with Unshielded RJ45 Inline Coupler	17-101494

RoHS compliant

THIS DRAWING MAY NOT BE COPIED OR REPRODUCED IN ANY MANNER WITHOUT THE WRITTEN PERMISSION OF CONEC CORPORATION. OWNERSHIP AND COPYRIGHT OF CONEC CORPORATION.	Customer:				Tolerance Unless otherwise specified			Scale: 1.5:1	Dim. in mm
	Name	Title	Approval Date		0 PLC ±0.50	1 PLC ±0.38		Material: See Notes	
	1 x f	A21-04.26	25.10.2021	Bub	2 PLC ±0.25	3 PLC ±0.10	Title: Receptacle Assembly Kit with Cat. 5e RJ45 Inline Coupler Full Metal Version		
	e	1	Jan/12/2012	Vincent Ke	ANGLES ±3°	2008	Date	Name	
	d	2	Mar/08/2011	Vincent ke		Draw.	Oct. 06	Vincent Ke	
c	1	Jun/01/2009	Vincent Ke		Appd.	Oct. 06	J. Chaudry		
b	2	Oct/31/2008	Vincent Ke		Norm				
a	original				D-old				
Rev	Changes	Date	Name			Drawing No.: 17K1A109		DIN A3	
						Part No.: SEE P/N TABLE		Sheet 1/1	