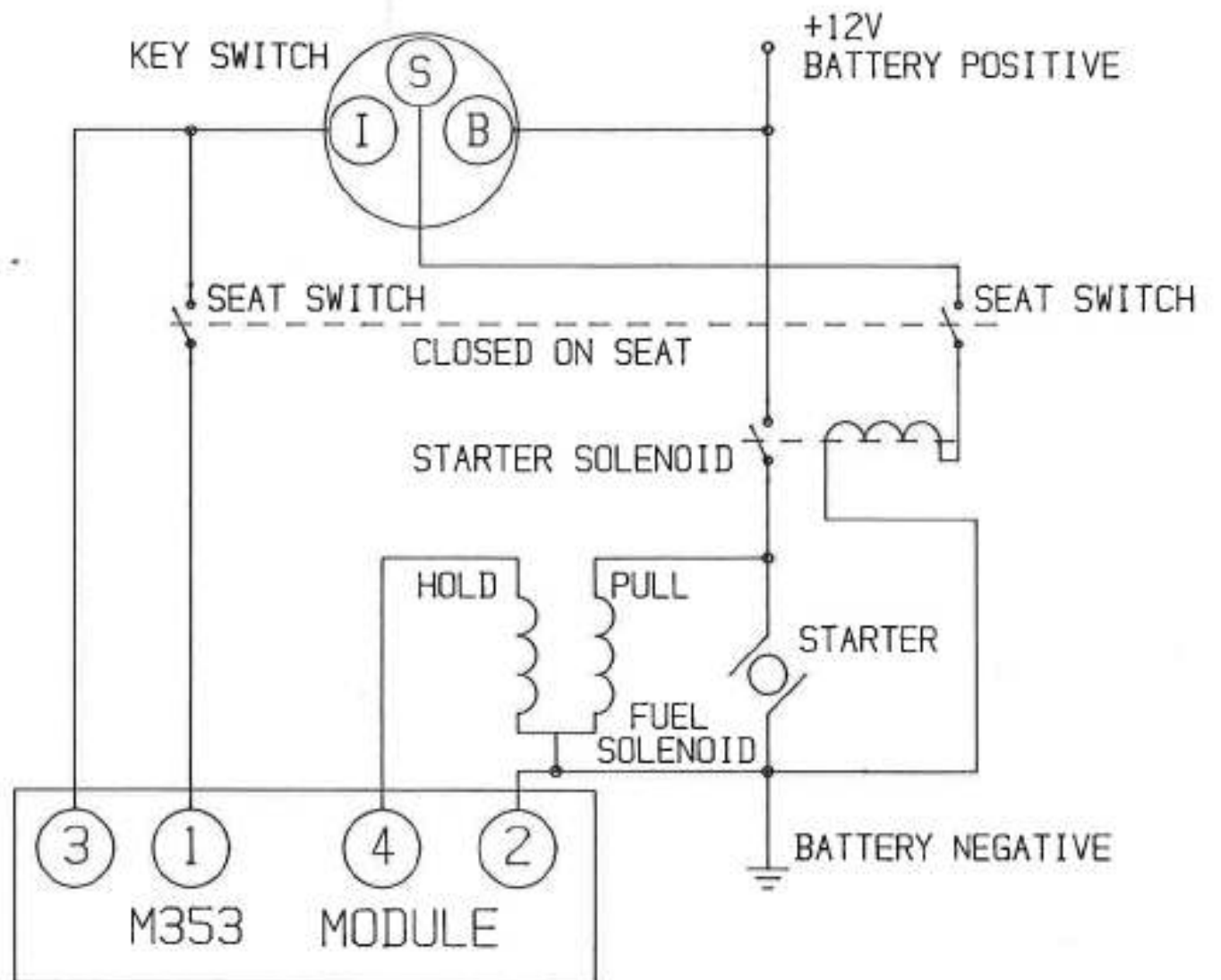
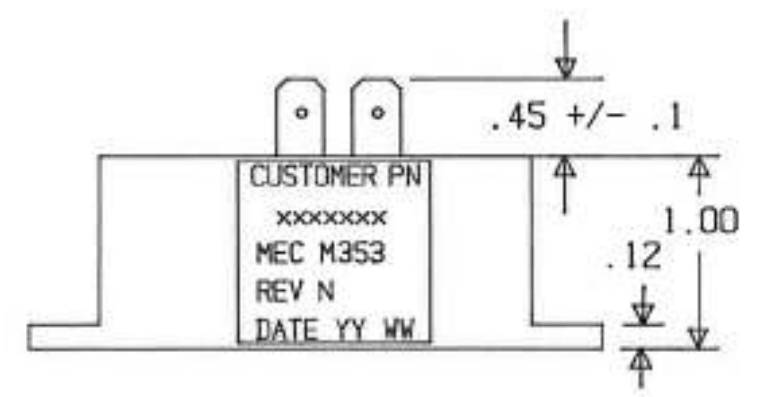
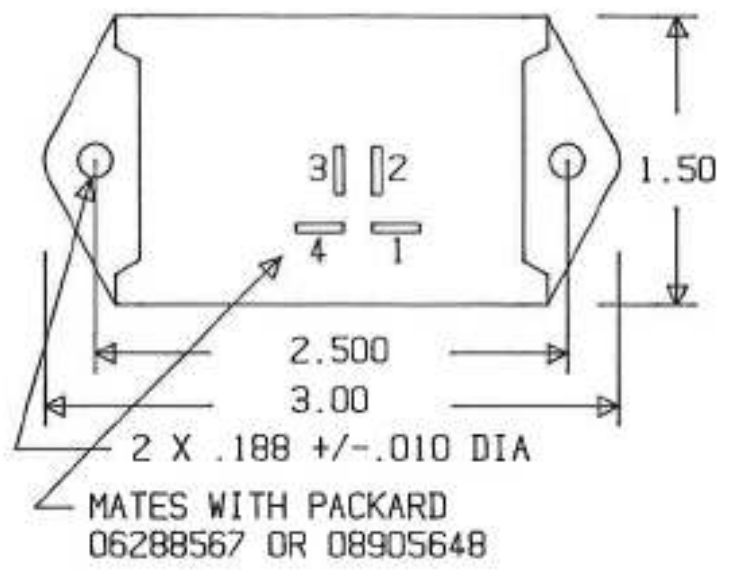


REVISIONS			
REV	DATE	ECN	DESCRIPTION
B	12-06-93	A1628E	REDRAWN, ADDED LABEL.
C	6-26-97	2509E	LABEL REV N WAS REV M.



- OPERATION:
- +12Vdc APPLIED TO 1, IMMEDIATELY APPLIES +12Vdc TO 4.
 - +12Vdc REMOVED FROM 1, +12Vdc REMOVED FROM 4 AFTER .75 SECOND DELAY.

- NOTE:
- FOR 3 WIRE FUEL CUT-OFF SOLENOID.
 - TIME DELAY .75 SECOND +/- .25.
 - MAXIMUM LOAD CURRENT 3.00 AMPERE.

REV = BOM REVISION
 LABEL DATE CODE:
 YY = YEAR OF MANUFACTURE
 WW = WEEK OF MANUFACTURE

UNLESS OTHERWISE SPECIFIED
 TOLERANCES ARE
 TWO PLACE DECIMAL THREE PLACE DECIMAL ANGLES
 +/- .05 +/- .020 +/-
 DO NOT SCALE DRAWING
 CHECKED J.SIMON DATE 12-20-93
 APPROVED J C W DATE 12-20-93

MARLIN ELECTRIC

TITLE OUTLINE, M353
 TIME DELAY MODULE

SIZE	DRAWING NUMBER	TYPE	REV
B	000395	0	C

DRAWN J PRIGAN DATE 12-06-93 SHEET 1 OF 1

UNCONTROLLED DOCUMENT