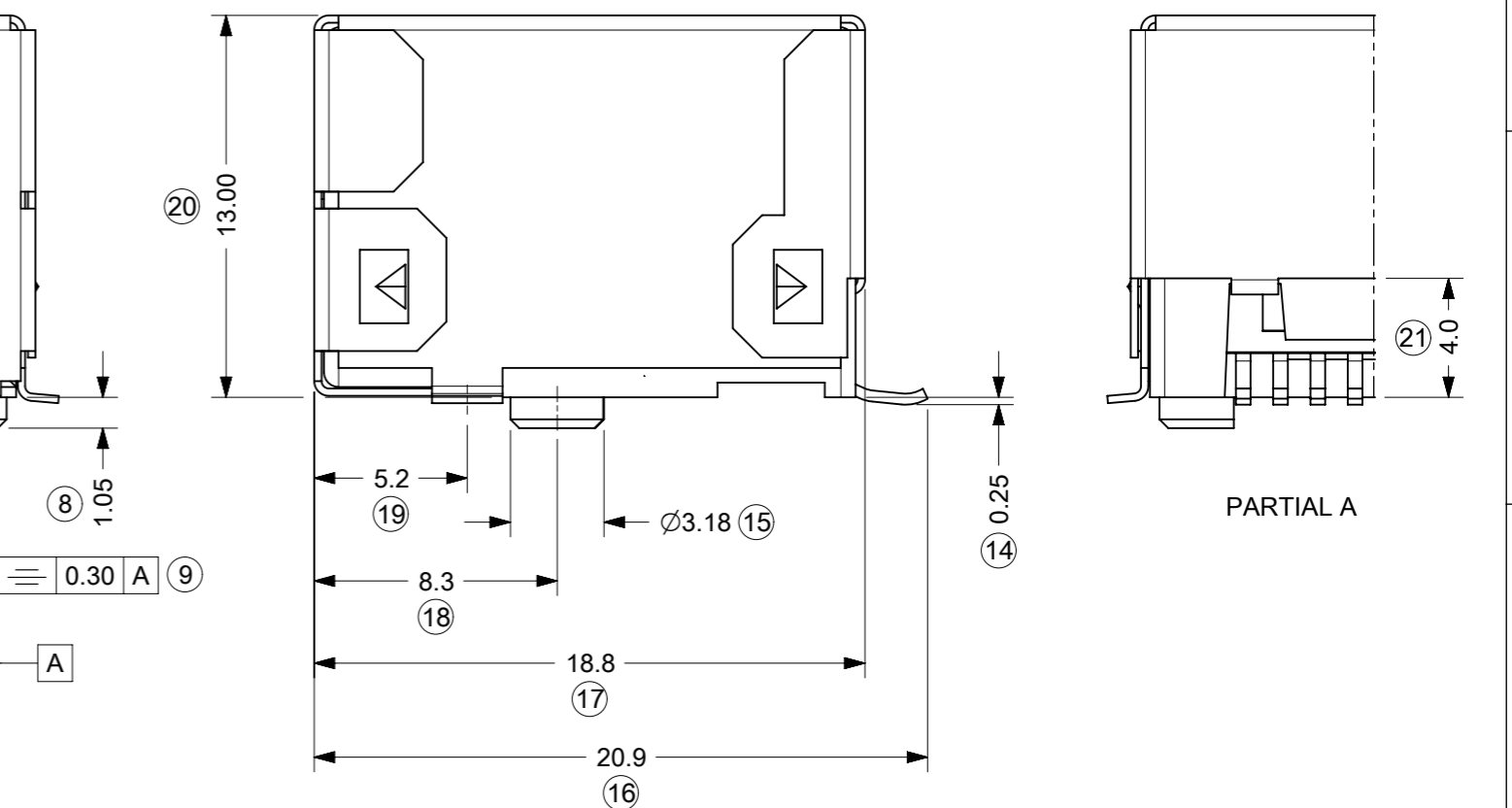
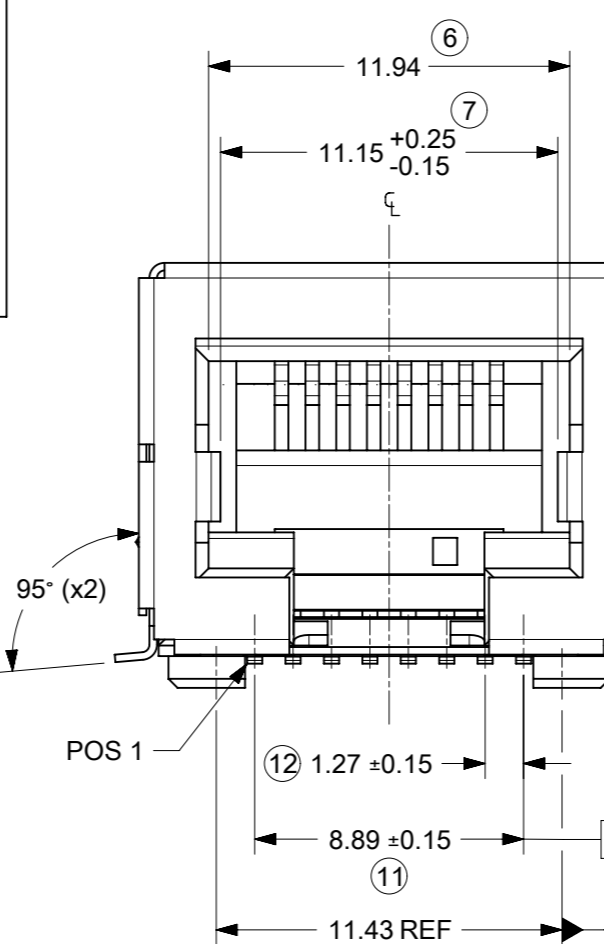


- NOTES:**
- JACK FOR MATING WITH SHIELDED PLUG (MOLEX 95043 AND 85568 SERIES)
 - PRODUCT SPECIFICATION: PS-95622-001
 - PACKAGING SPECIFICATION: PK-95122-002 (TAPE AND REEL).
 - COPLANARITY OF SIGNAL LEADS: 0.10MAX
 - RECOMMENED PCB THICKNESS 1.57

LAST INSPECTION NUMBER: 22
REMOVED INSPECTION NO: 10

TECHNICAL SPECIFICATIONS:
MATERIAL:
HOUSING: LCP GLASS FILLED UL 94-V0
COLOUR BLACK.
TERMINAL: COPPER ALLOY PLATED WITH:
BASE FINISH: NICKEL
CONTACT SURFACE FINISH:
GOLD,
OR
GOLD FLASH OVER PALLADIUM NICKEL.
EXCEEDS PRODUCT REQUIREMENTS BASED ON PS-95622-001

SHIELD: COPPER ALLOY PLATED WITH TIN.



FUNCTIONAL SYMBOLS	THIS DRAWING CONTAINS INFORMATION THAT IS PROPRIETARY TO MOLEX ELECTRONIC TECHNOLOGIES, LLC AND SHOULD NOT BE USED WITHOUT WRITTEN PERMISSION	CURRENT REV DESC: ADDED PANEL CUTOUT		molex	
	GENERAL TOLERANCES (UNLESS SPECIFIED)	EC NO: 735778 DRWN: ASWINA CHK'D: KLANG APPR: KLANG			
DIVISIONAL SYMBOLS	ANGULAR TOL ± 2.0°	4 PLACES ±	3 PLACES ±	PRODUCT CUSTOMER DRAWING	
	2 PLACES ± 0.25	1 PLACE ± 0.35	0 PLACES ±	DOCUMENT NUMBER DOC TYPE DOC PART REVISION	
DRAFT WHERE APPLICABLE MUST REMAIN WITHIN DIMENSIONS			THIRD ANGLE PROJECTION	DRAWING SERIES MATERIAL NUMBER CUSTOMER SHEET NUMBER	
			A3-SIZE	95622	SEE CHART GENERAL MARKET 1 OF 1