



## Part Number: D4I4012YMG

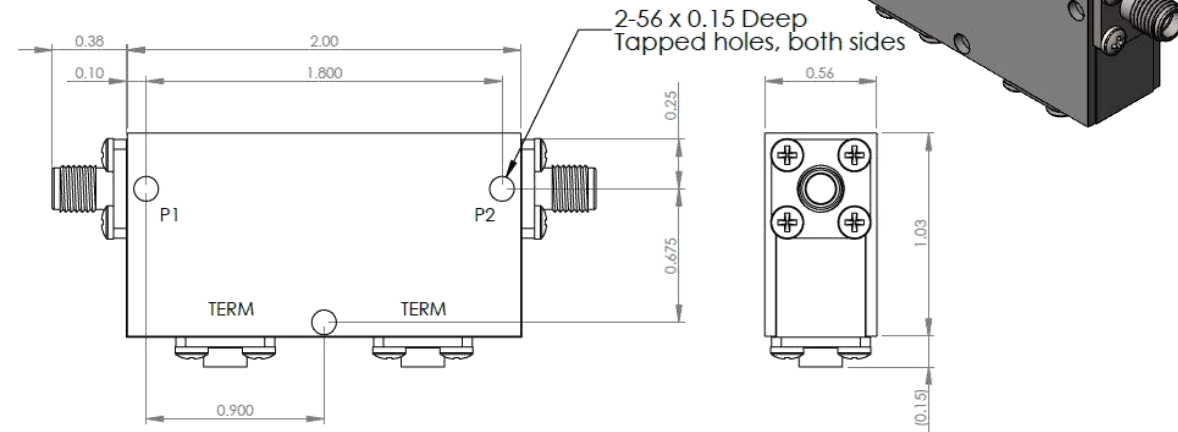
### Electrical Specifications

|                        |                 |
|------------------------|-----------------|
| Frequency Range (GHz): | 4.0 – 12.0      |
| Isolation (dB):        | 24 MIN          |
| Insertion Loss (dB):   | 2.0 MAX         |
| Return Loss (dB):      | 12 MIN          |
| Forward Power (W):     | 20 AVG<br>30 PK |
| Reflective Power (W):  | 2 AVG           |

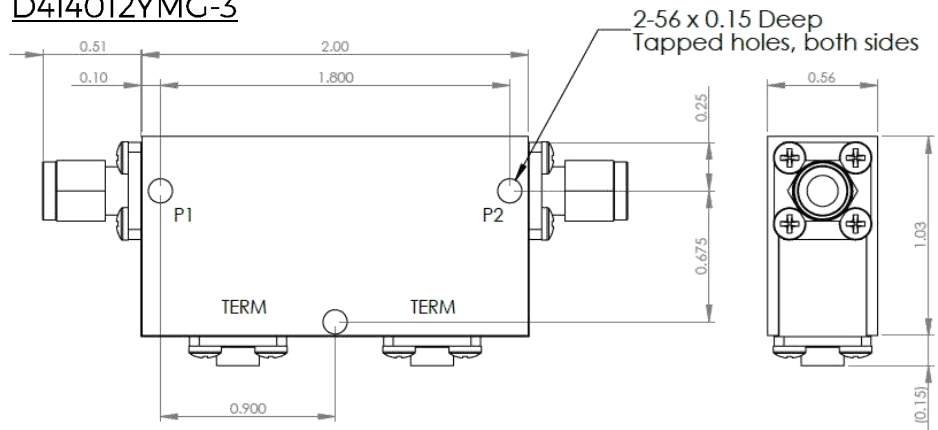
### Mechanical/Environmental Specifications

|                        |                            |
|------------------------|----------------------------|
| Connector Type:        | SMA                        |
| Connector Body:        | Passivated stainless steel |
| Connector Pin:         | Gold plated copper         |
| Load Body:             | Brass                      |
| Magnetic Shunt:        | Nickel plated CRS          |
| Magnetically Shielded: | Yes                        |
| Operational Temp:      | < 77K                      |
| Weight (oz)            | 4.0 MAX                    |

D4I4012YMG



D4I4012YMG-3



Dimensions are in inches  
Tolerance

XX ±0.03  
XXX ±0.010

| Type of Device                                      | PN Suffix | Connector Configuration<br>Input / Output | PN Example   |
|-----------------------------------------------------|-----------|-------------------------------------------|--------------|
| Single and Dual Junction<br>Isolator, 2-Port Device | N/A       | Female / Female                           | D4I4012YMG   |
|                                                     | -1        | Male / Female                             | D4I4012YMG-1 |
|                                                     | -2        | Female / Male                             | D4I4012YMG-2 |
|                                                     | -3        | Male / Male                               | D4I4012YMG-3 |



# MEASURED DATA

Part Number: D4I4012YMG, Measured at 77K

