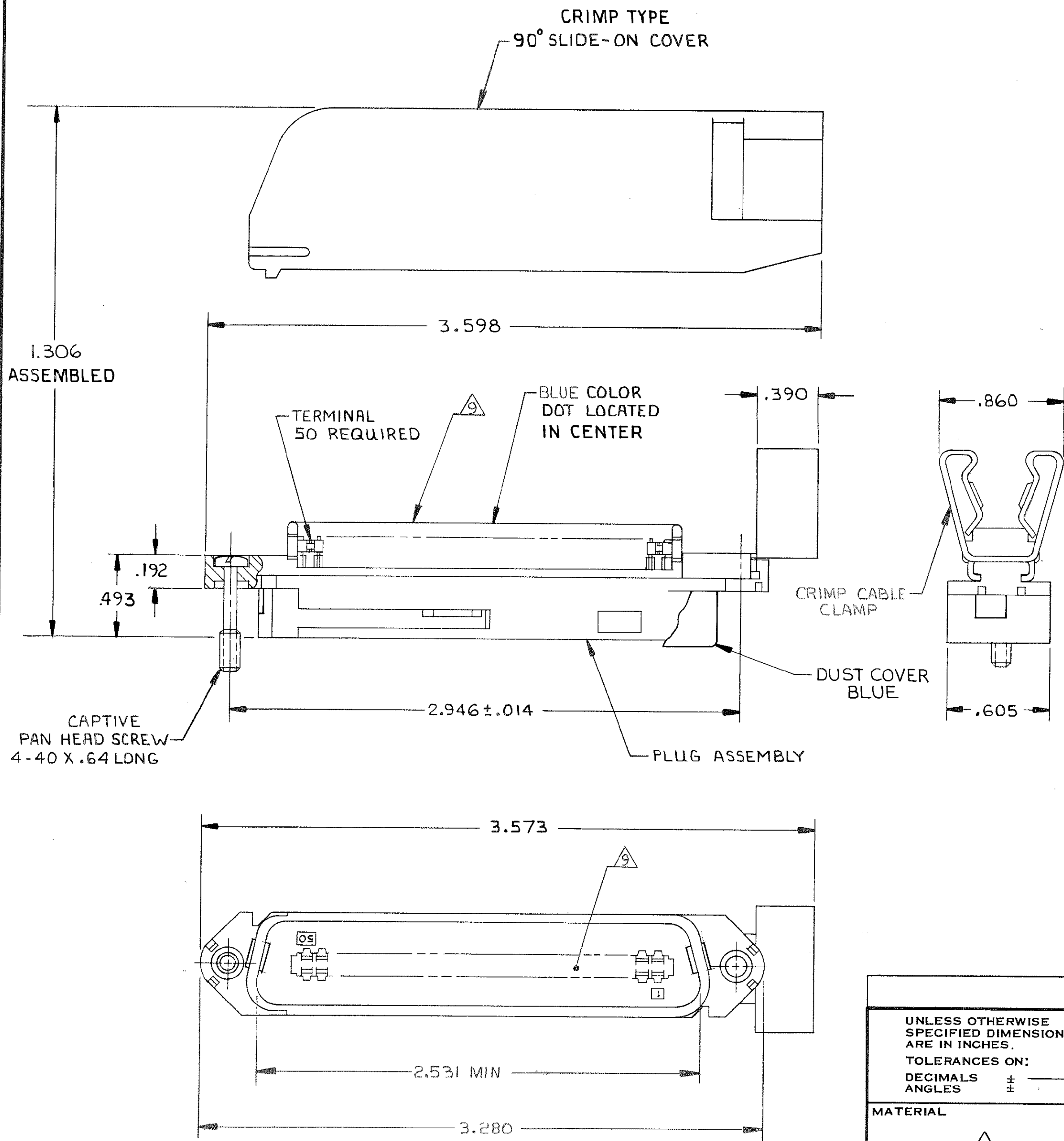


© COPYRIGHT 19 BY AMP INCORPORATED, HARRISBURG, PA.
 ALL INTERNATIONAL RIGHTS RESERVED. AMP INCORPORATED PRODUCTS
 COVERED BY U. S. AND FOREIGN PATENTS AND/OR PATENTS PENDING.

		REVISIONS			LOC	DIST
P	F	ZONE	LTR	DESCRIPTION	DATE	APPROVED
J			J	OBSDLETE -1; ECN AA-5942	11-3-89	TE
			K	REV; EC 001C-0040-01	3-19-01	EB



- THE CONTACT SURFACES OF THE TERMINALS ARE COATED WITH LUBRICANT.
 - MATERIAL: HOUSING & SLIDE-ON COVER-POLYPHENYLENE. CABLE CLAMP & SCREW-ZINC PLATED STEEL. TERMINAL-GOLD OVER NICKEL PLATED HIGH STRENGTH COPPER ALLOY. DUST COVER-POLYETHYLENE.
 - WIRE SIZE: 24 & 26 AWG SOLID OR 24 AWG 7 STRANDS OF COPPER CONDUCTORS. MAX INSULATION DIAMETER OF .045 IS ACCEPTABLE FOR MOST APPLICATIONS.
 - CENTER-TO-CENTER SPACING OF TERMINALS IS .085 NOMINAL.
 - CABLE CLAMP & SCREW ARE ASSEMBLED TO CONNECTOR BEFORE SHIPMENT.
 - ALL DIMENSIONS ARE MAXIMUM UNLESS OTHERWISE SPECIFIED.
 - 90° COVER SHIPPED UNASSEMBLED WITH CABLE CLAMP UNCRIMPED.
 - KIT SHIPPED BULK PACKAGED.
- ⑨ CORING MAY OR MAY NOT APPEAR AND IS AT THE DISCRETION OF AMP INCORPORATED.

YES	GRAY	553213-3
DUST COVER	COLOR	PART NO

UNLESS OTHERWISE SPECIFIED DIMENSIONS ARE IN INCHES. TOLERANCES ON: DECIMALS ± — ANGLES ± —	CONTRACT NO	AMP AMP INCORPORATED Harrisburg, Pa.	
	DR <i>H. Bouman</i> 7-29-80	NAME PLUG KIT, 50 POSITION, B SLOT, CRIMP TYPE, SCREW & 90° COVER, CHAMP-LOK	
	CHK <i>MDfried</i> 7-31-80	APPD <i>B.G. Ward</i> 7/31/80	APPD <i>Donnelly</i> 8-1-80
	MATERIAL	DSGN APPD	OTHER APPD <i>REReich</i> 8/11/80
FINISH	SIZE C	CODE IDENT NO 00779	DRAWING NO 553213
	SCALE 2:1	SHEET 1 OF 1	