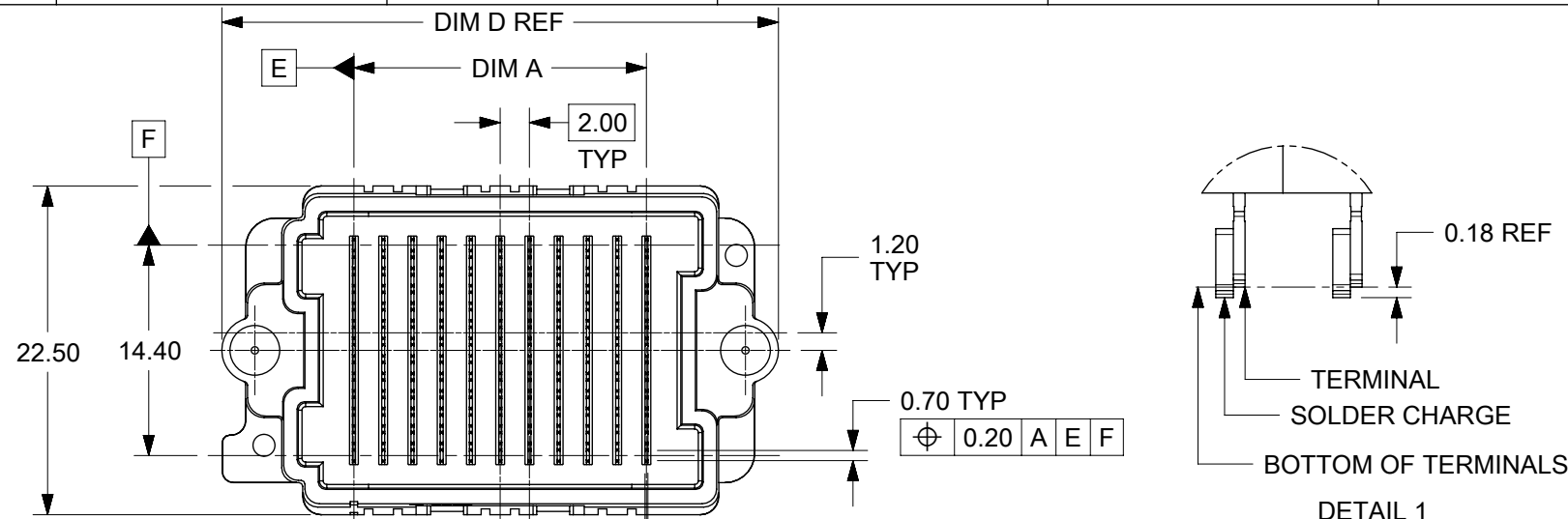
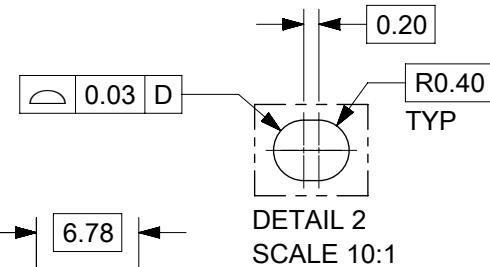


NOTES:

- HOUSING MATERIAL: LCP, GLASS FILLED, UL94V-0, BLACK  
CONTACT MATERIAL: HIGH PERFORMANCE ALLOY  
GUIDE PIN MATERIAL: STAINLESS STEEL  
SOLDER CHARGE MATERIAL: TIN OR TIN/LEAD SEE TABLE
- CONTACT FINISH: SELECT GOLD: 30 MICRO-INCHES MINIMUM IN CONTACT AREA  
SELECT TIN: 100 MICRO-INCHES MINIMUM IN TAIL AREA BOTH OVER NICKEL
- PRODUCT SPECIFICATION: PS-45802-001
- COSMETIC SPECIFICATION: PS-45499-002 CLASS B
- PACKAGING SPECIFICATION: PK-45830-001 OR PK-45830-0002 SEE TABLES
- DIM B (TYP) TO BE MEASURED AT TWO END COLUMNS ONLY.



DETAIL 1  
SCALE 8:1

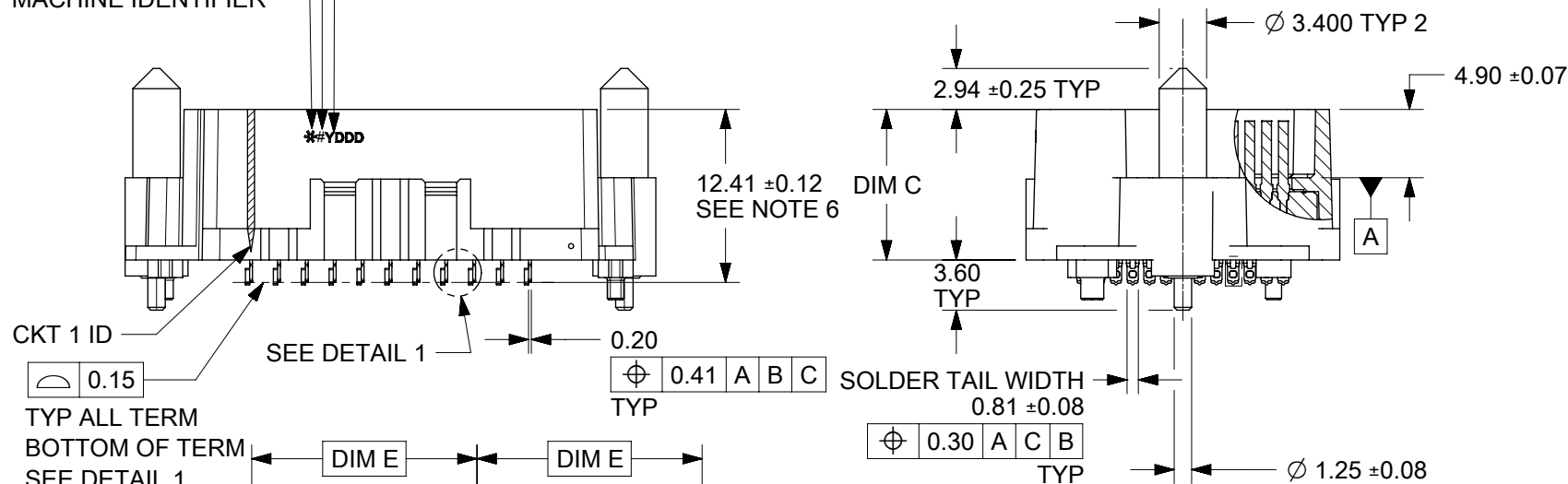


DETAIL 2  
SCALE 10:1

DATE CODE  
YEAR-DAY OF YEAR  
LOCATED APPROX AS SHOWN

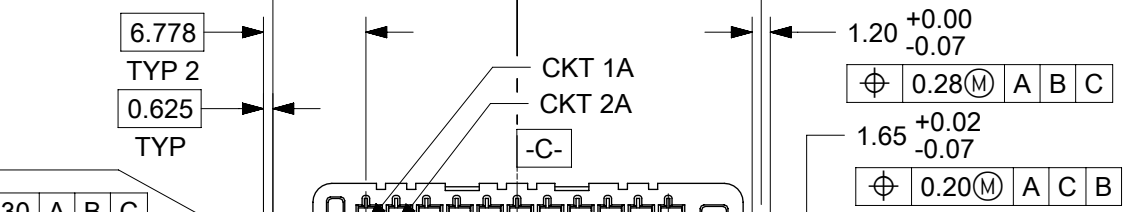
LEAD CODE  
0= TIN LEAD (Sn63/Pb37)  
2= TIN (Sn95.5/aG3.8/cU0.7)

ASSY MACHINE IDENTIFIER



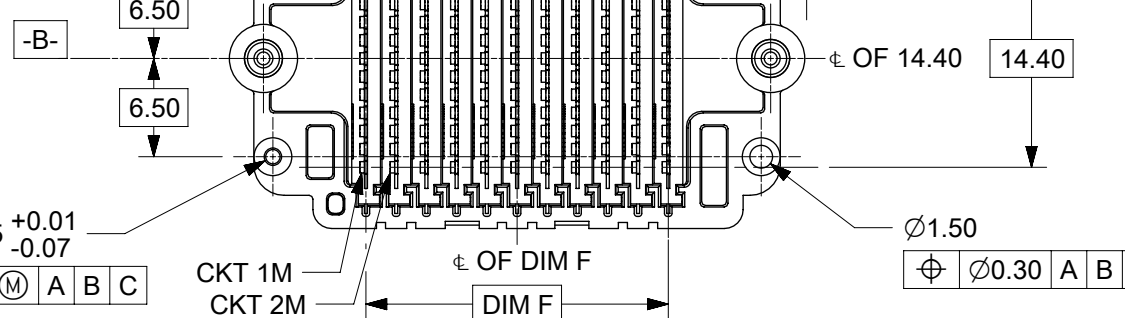
CKT 1 ID  
0.15  
TYP ALL TERM  
BOTTOM OF TERM  
SEE DETAIL 1

SOLDER TAIL WIDTH  
0.81 ±0.08  
TYP



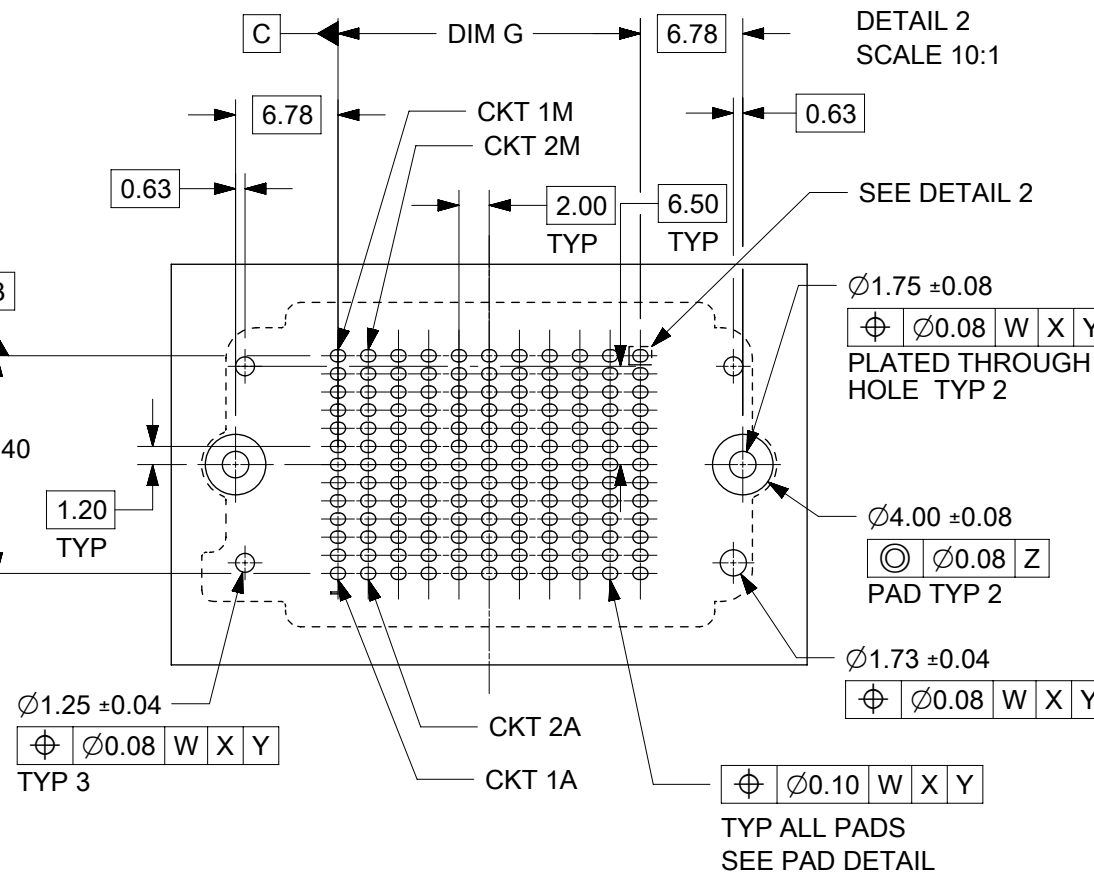
Ø 1.50  
Ø 0.30 A B C

Ø 0.28(M) A B C



Ø 1.15 +0.01 -0.07  
Ø 0.19(M) A B C

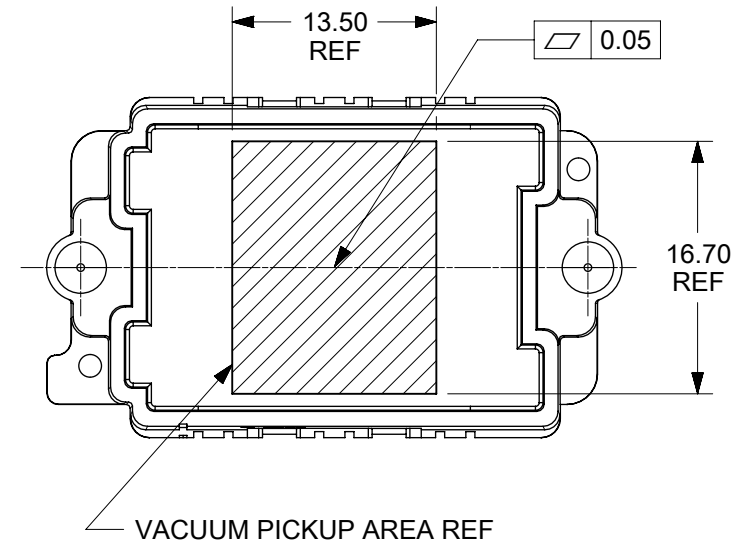
Ø 1.50  
Ø 0.30 A B C



RECOMMENDED PCB LAYOUT: COMPONENT SIDE  
PCB THICKNESS: NA

THIS DRAWING CONTAINS INFORMATION THAT IS PROPRIETARY TO MOLEX ELECTRONIC TECHNOLOGIES, LLC AND SHOULD NOT BE USED WITHOUT WRITTEN PERMISSION																																		
DIMENSION UNITS: mm		SCALE: NTS		CURRENT REV DESC: DRAWING UPDATE ON DATUM, NOTE AND FEATURE FRAME. NO CHANGE IN FORM, FIT & FUNCTION.																														
GENERAL TOLERANCES (UNLESS SPECIFIED)				<table border="1"> <tr> <td colspan="3">molex</td> </tr> <tr> <td colspan="3">HDMEZZ PLUG ASSEMBLY WITH LONG GUIDE PINS</td> </tr> <tr> <td colspan="3">PRODUCT CUSTOMER DRAWING</td> </tr> <tr> <td>DOCUMENT NUMBER</td> <td>DOC TYPE</td> <td>DOC PART</td> <td>REVISION</td> </tr> <tr> <td>SD-45830-0001</td> <td>PSD</td> <td>001</td> <td>J4</td> </tr> <tr> <td>MATERIAL NUMBER</td> <td>CUSTOMER</td> <td colspan="2">SHEET NUMBER</td> </tr> <tr> <td>SEE TABLE</td> <td>GENERAL MARKET</td> <td colspan="2">1 OF 3</td> </tr> </table>						molex			HDMEZZ PLUG ASSEMBLY WITH LONG GUIDE PINS			PRODUCT CUSTOMER DRAWING			DOCUMENT NUMBER	DOC TYPE	DOC PART	REVISION	SD-45830-0001	PSD	001	J4	MATERIAL NUMBER	CUSTOMER	SHEET NUMBER		SEE TABLE	GENERAL MARKET	1 OF 3	
molex																																		
HDMEZZ PLUG ASSEMBLY WITH LONG GUIDE PINS																																		
PRODUCT CUSTOMER DRAWING																																		
DOCUMENT NUMBER	DOC TYPE	DOC PART	REVISION																															
SD-45830-0001	PSD	001	J4																															
MATERIAL NUMBER	CUSTOMER	SHEET NUMBER																																
SEE TABLE	GENERAL MARKET	1 OF 3																																
ANGULAR TOL ± 0.5°																																		
4 PLACES ±																																		
3 PLACES ± 0.05																																		
2 PLACES ± 0.15																																		
1 PLACE ± 0.3																																		
0 PLACES ±																																		
DRAFT WHERE APPLICABLE MUST REMAIN WITHIN DIMENSIONS		THIRD ANGLE PROJECTION		DRAWING		SERIES		MATERIAL NUMBER																										
		B-SIZE		45830		SEE TABLE		GENERAL MARKET																										

TIN PARTS LEAD CODE = "2"	STACK HEIGHT:						8mm	10mm	14mm	15mm	17mm	18mm
	DIM B						10.41	12.41	16.41	17.41	19.41	20.41
	DIM C						8.80	10.80	14.80	15.80	17.80	18.80
	ROWS	DIM A	DIM D	DIM E	DIM F	DIM G	MATERIAL NO	MATERIAL NO	MATERIAL NO	MATERIAL NO	MATERIAL NO	MATERIAL NO
11	20.00	38.06	16.15	20.00	20.00		45830-2211				45830-1211	
15	28.00	46.06	20.15	28.00	28.00	45830-0215						
23	44.00	62.06	28.15	44.00	44.00	45830-0223	45830-2223	45830-6223	45830-7223	45830-5223		



ALL PARTS ON THIS SHEET ARE  
PACKED IN STANDARD MOLEX TRAYS  
PER PK-48030-001

NOTE:  
1. SOLDER CHARGE COMPOSITION  
TIN/LEAD: Sn 63/Pb 37  
TIN: Sn 95.5/ Ag 3.8/ Cu 0.7

THIS DRAWING CONTAINS INFORMATION THAT IS PROPRIETARY TO MOLEX ELECTRONIC TECHNOLOGIES, LLC AND SHOULD NOT BE USED WITHOUT WRITTEN PERMISSION											
DIMENSION UNITS		SCALE		CURRENT REV DESC: DRAWING UPDATE ON DATUM, NOTE AND FEATURE FRAME. NO CHANGE IN FORM, FIT & FUNCTION.						<b>molex</b>	
mm		NTS									
GENERAL TOLERANCES (UNLESS SPECIFIED)				EC NO: 660572						HDMEZZ PLUG ASSEMBLY WITH LONG GUIDE PINS	
ANGULAR TOL ± 0.5°				DRWN: HLG0H 2021/04/12						PRODUCT CUSTOMER DRAWING	
4 PLACES ±				CHK'D: YLLIM 2021/04/13						DOCUMENT NUMBER	
3 PLACES ± 0.05				APPR: DWLEE01 2021/04/14						SD-45830-0001	
2 PLACES ± 0.15				INITIAL REVISION:						DOC TYPE	
1 PLACE ± 0.3				DRWN: TGREGORI 2010/09/09						PSD	
0 PLACES ±				APPR: JCOMERCI 2011/03/15						DOC PART	
DRAFT WHERE APPLICABLE MUST REMAIN WITHIN DIMENSIONS				THIRD ANGLE PROJECTION		DRAWING		SERIES		REVISION	
				B-SIZE		45830		MATERIAL NUMBER		SHEET NUMBER	
								SEE TABLE		2 OF 3	
								CUSTOMER		GENERAL MARKET	

DOCUMENT STATUS	P1	RELEASE DATE	2021/04/14	15:41:44
-----------------	----	--------------	------------	----------

TIN PARTS LEAD CODE = "2"	STACK HEIGHT:						18mm
	DIM B						20.41
	DIM C						18.80
	ROWS	DIM A	DIM D	DIM E	DIM F	DIM G	MATERIAL NO
15	28.00	46.06	16.15	20.00	20.00	45830-1293 45830-0001	

ALL PARTS ON THIS SHEET ARE PACKED  
IN JEDEC STYLE TRAYS PER PK-45830-0002

THIS DRAWING CONTAINS INFORMATION THAT IS PROPRIETARY TO MOLEX ELECTRONIC TECHNOLOGIES, LLC AND SHOULD NOT BE USED WITHOUT WRITTEN PERMISSION										
DIMENSION UNITS <b>mm</b>	SCALE <b>NTS</b>	CURRENT REV DESC: DRAWING UPDATE ON DATUM, NOTE AND FEATURE FRAME. NO CHANGE IN FORM, FIT & FUNCTION.				<b>molex</b>				
GENERAL TOLERANCES (UNLESS SPECIFIED)		EC NO: 660572 DRWN: HLG0H 2021/04/12 CHK'D: YLLIM 2021/04/13 APPR: DWLEE01 2021/04/14								
ANGULAR TOL ± 0.5°		INITIAL REVISION:				DOCUMENT NUMBER		DOC TYPE	DOC PART	REVISION
4 PLACES ±		DRWN: TGREGORI 2010/09/09 APPR: JCOMERCI 2011/03/15				SD-45830-0001		PSD	001	J4
3 PLACES ± 0.05		DRAFT WHERE APPLICABLE MUST REMAIN WITHIN DIMENSIONS		THIRD ANGLE PROJECTION	DRAWING	SERIES	MATERIAL NUMBER	CUSTOMER		SHEET NUMBER
2 PLACES ± 0.15					B-SIZE	45830	SEE TABLE	GENERAL MARKET		3 OF 3
1 PLACE ± 0.3										
0 PLACES ±										

DOCUMENT STATUS	P1	RELEASE DATE	2021/04/14	15:41:44
-----------------	----	--------------	------------	----------