

Leila LOST series



Ordering number FA11110
Description FA11110_LOST-D

Family	Leila	FWHM	25 degrees
Type	Assembly	Efficiency	89
LED	Ostar Lighting+	cd/lm	-
Color	Black	Gerber File	Available
Diameter	21.6 mm		
Height	13.2 mm		
Style	Round		
Optic Material	PMMA		
Holder Material	PC		
Fastening	Tape		
Status	Ready		



Ordering number FA11112
Description FA11112_LOST-M

Family	Leila	FWHM	30 degrees
Type	Assembly	Efficiency	88
LED	Ostar Lighting+	cd/lm	-
Color	Black	Gerber File	Available
Diameter	21.6 mm		
Height	13.2 mm		
Style	Round		
Optic Material	PMMA		
Holder Material	PC		
Fastening	Tape		
Status	Ready		



Ordering number FA11113
Description FA11113_LOST-W

Family	Leila	FWHM	degrees
Type	Assembly	Efficiency	-
LED	Ostar Lighting+	cd/lm	-
Color	Black	Gerber File	Available
Diameter	21.6 mm		
Height	13.2 mm		
Style	Round		
Optic Material	PMMA		
Holder Material	PC		
Fastening	Tape		
Status	Ready		



Ordering number FA11114
Description FA11114_LOST-O-90

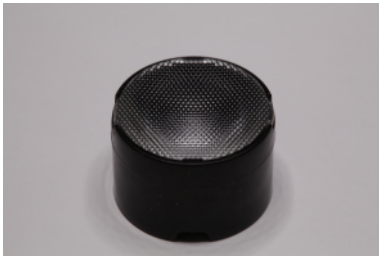
Family	Leila	FWHM	36+24 degrees
Type	Assembly	Efficiency	85
LED	Ostar Lighting+	cd/lm	-
Color	Black	Gerber File	Available
Diameter	21.6 mm		
Height	13.2 mm		
Style	Round		
Optic Material	PMMA		
Holder Material	PC		
Fastening	Tape		
Status	Ready		

Leila LOST series



Ordering number FA11115
Description FA11115_ LOST-REC

Family	Leila	FWHM	36+29 degrees
Type	Assembly	Efficiency	81
LED	Ostar Lighting+	cd/lm	-
Color	Black	Gerber File	Available
Diameter	21.6 mm		
Height	13.2 mm		
Style	Round		
Optic Material	PMMA		
Holder Material	PC		
Fastening	Tape		
Status	Ready		



Ordering number FA11463
Description FA11463_ LOST-M2

Family	Leila	FWHM	degrees
Type	Assembly	Efficiency	-
LED	Ostar Lighting+	cd/lm	-
Color	Black	Gerber File	Available
Diameter	21.6 mm		
Height	13.2 mm		
Style	Round		
Optic Material	PMMA		
Holder Material	PC		
Fastening	Tape		
Status	Ready		



Leila LOST series

Specially designed for Ostar Lighting+ series of LEDs.

Fastening to heat sink with a PU foam adhesive tape of automotive grade.

Please find fastening details by clicking link below:

http://ledil.fi/sites/default/files/Documents/Technical/Installation/20110406_DataSheet_TAPE.pdf

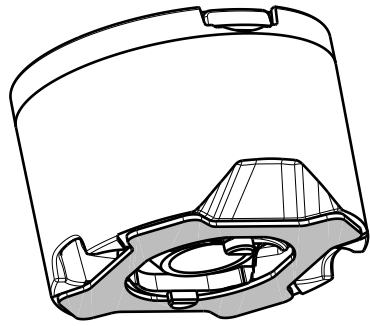
We advise customer to ensure the suitability and sufficiency of the bond in the end product. For example, mechanical stress, vibration and holes on the surface of the circuit board weaken the strength of the tape.

D

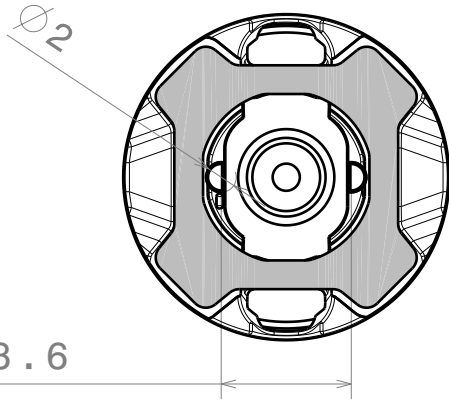
C

B

A



Isometric view

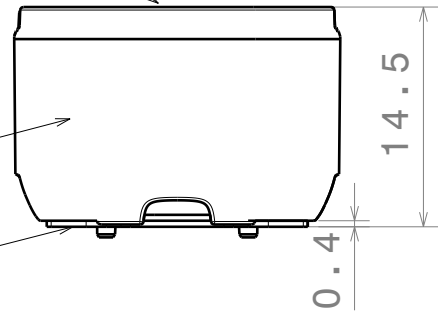


8.6
c / c

Lens

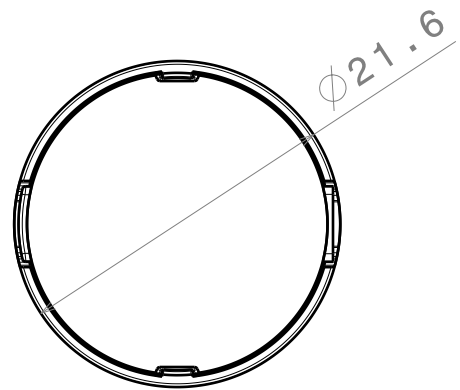
Holder

tape



14.5

0.4



Top view

Materials:
 Lens: PMMA
 Holder: PC white
 Tape: PU FOAM

This drawing is our property.
 It can't be reproduced
 or communicated without
 our written agreement.



L
T
F
F

e
e
i
i
N
n

d
h

DRAWING TITLE

Datasheet LR2-ES series assy

DRAWN BY

DATE

m

28.12.2010

CHECKED BY

DATE

h

h

28.12.2010

SIZE

A4

DRAWING NUMBER

-

REV

1

DESIGNED BY

DATE

pl

27.08.2010

SCALE

1:1

WEIGHT (g)

SHEET

1/1

D

A

4

4

3

3

2

2

1

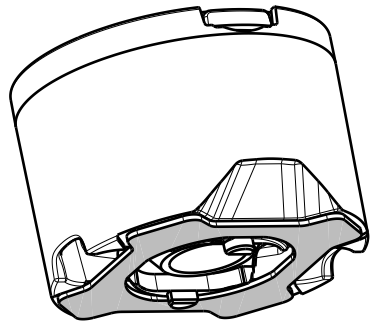
1

D

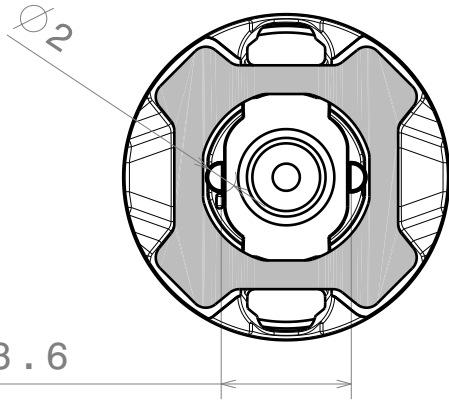
C

B

A



Isometric view

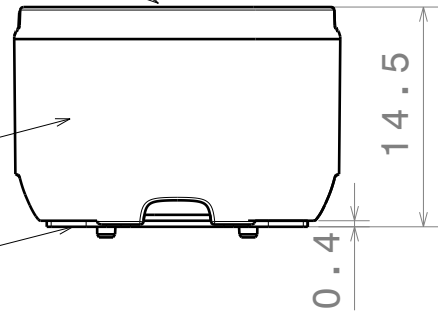


8.6
c / c

Lens

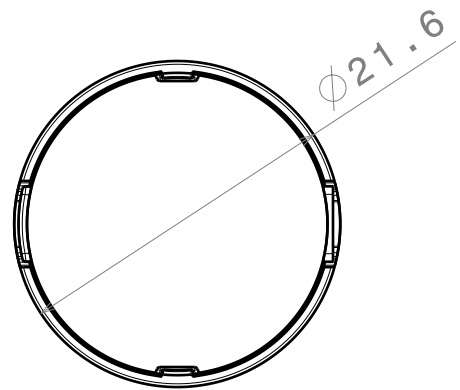
Holder

tape



14.5

0.4



21.6

Top view

Materials:
 Lens: PMMA
 Holder: PC white
 Tape: PU FOAM

This drawing is our property.
 It can't be reproduced
 or communicated without
 our written agreement.



L
T
F
F

e
e
i
i
N
n

d
h

DRAWING TITLE

Datasheet LR2-ES series assy

DRAWN BY

DATE

m

28.12.2010

CHECKED BY

DATE

h

h

28.12.2010

SIZE

A4

DRAWING NUMBER

-

REV

1

DESIGNED BY

DATE

pl

27.08.2010

SCALE

1:1

WEIGHT (g)

SHEET

1/1

D

A

4

4

3

3

2

2

1

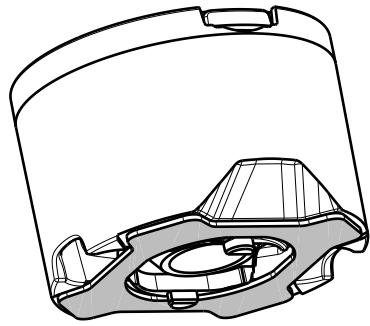
1

D

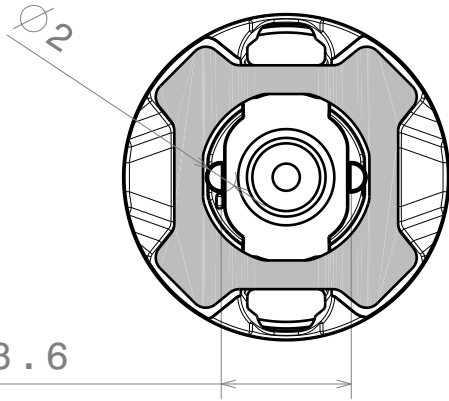
C

B

A



Isometric view

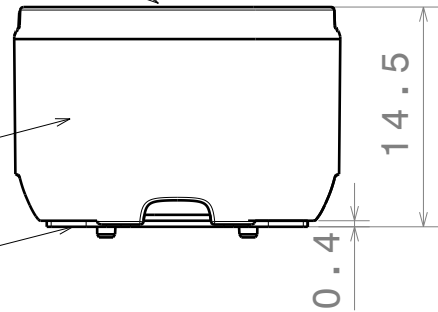


8.6
c / c

Lens

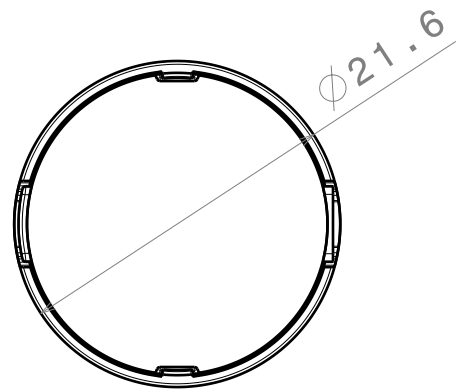
Holder

tape



14.5

0.4



21.6

Top view

Materials:
 Lens: PMMA
 Holder: PC white
 Tape: PU FOAM

This drawing is our property.
 It can't be reproduced
 or communicated without
 our written agreement.



L
T
F
F

e
e
i
i
N
n

d
h

DRAWING TITLE

Datasheet LR2-ES series assy

DRAWN BY

DATE

m

28.12.2010

CHECKED BY

DATE

h

h

28.12.2010

SIZE

A4

DRAWING NUMBER

-

REV

1

DESIGNED BY

DATE

pl

27.08.2010

SCALE

1:1

WEIGHT (g)

SHEET

1/1

D

A

4

4

3

3

2

2

1

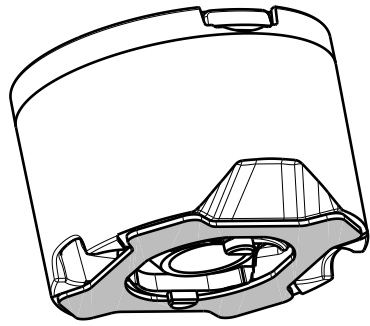
1

D

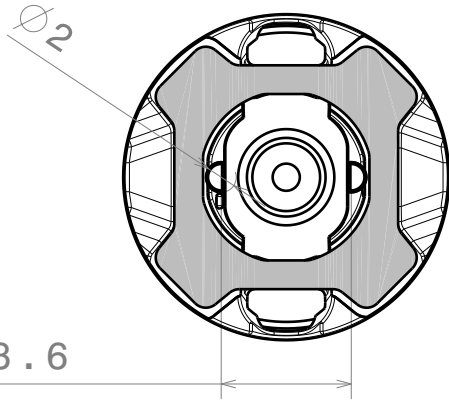
C

B

A



Isometric view

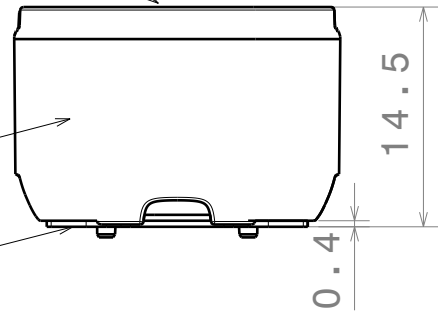


8.6
c / c

Lens

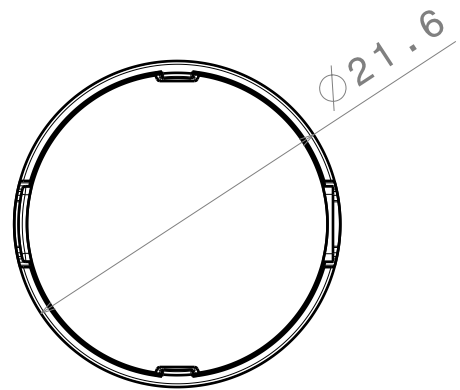
Holder

tape



14.5

0.4



Top view

Materials:
 Lens: PMMA
 Holder: PC white
 Tape: PU FOAM

This drawing is our property.
 It can't be reproduced
 or communicated without
 our written agreement.



L
T
F
F

e
e
i
i
N
n

d
h

DRAWING TITLE

Datasheet LR2-ES series assy

DRAWN BY

DATE

m

28.12.2010

CHECKED BY

DATE

h

h

28.12.2010

DESIGNED BY

DATE

pl

27.08.2010

SIZE

A4

DRAWING NUMBER

-

REV

1

SCALE

1:1

WEIGHT (g)

SHEET

1/1

D

A

4

4

3

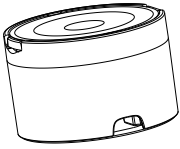
3

2

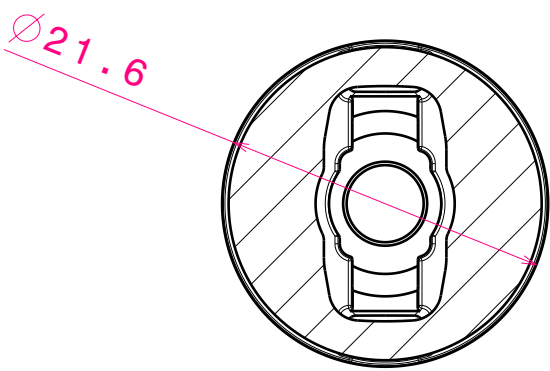
2

1

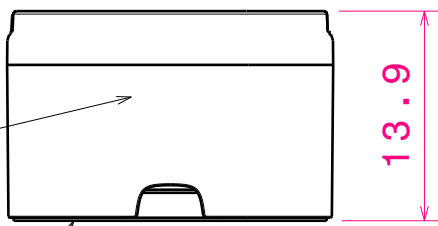
1



Isometric view
Scale: 1:1



Bottom view



Front view

Holder: L03-LH1-tape

Tape 0.2mm

Materials;
Lens: PMMA
Holder: PC
Tape: PU Foam

This drawing is our property.
It can't be reproduced
or communicated without
our written agreement.



DRAWING TITLE

DRAWN BY p		DATE 12.01.2010		Datasheet L02-W tape assy			
CHECKED BY t k		DATE 19.12.2009		SIZE A4	DRAWING NUMBER -		REV 1
DESIGNED BY pv		DATE 06.12.2009		SCALE 2:1	WEIGHT (g)	SHEET 1/1	

D

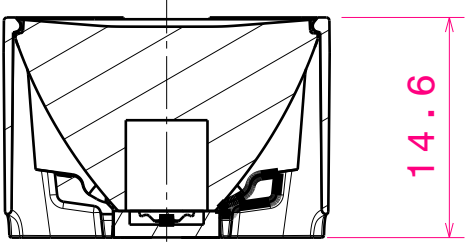
A

D

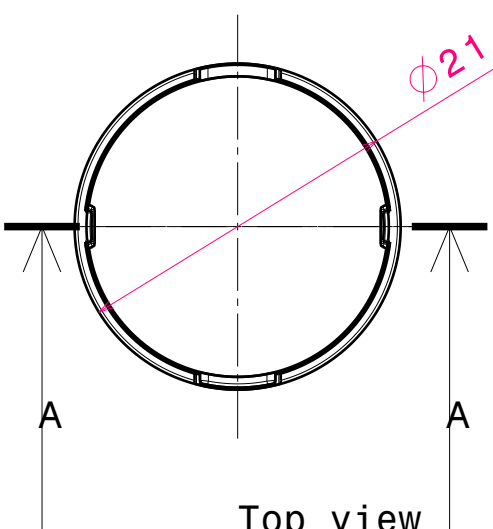
C

B

A



Section view A-A
Scale: 2:1



Top view
Scale: 2:1



Isometric view
Scale: 1:1

Materials:
lens PMMA
holder PC

This drawing is our property.
It can't be reproduced
or communicated without
our written agreement.



L
T
F
F

e
e
i
i
N
n

d

DRAWING TITLE

DATASHEET L02 Series

DRAWN BY P V	DATE 19.05.2008
-----------------	--------------------

CHECKED BY T K	DATE 19.05.2008
-------------------	--------------------

DESIGNED BY HH	DATE 30.04.2008
-------------------	--------------------

SIZE A4	DRAWING NUMBER	REV 0.1
------------	----------------	------------

SCALE 2:1	WEIGHT (g)	SHEET 1/1
--------------	------------	--------------

D

A

4

4

3

3

2

2

1

1

D C B A

4

3

2

1

Lens

Holder

Tape 0,2mm

16.5

Side view

Top view

Ø21.6

MATERIALS
 Lens: PMMA
 Holder: PC
 Tape: PU Foam

Part no.s:
 FA10652_LC1-M
 FA10653_LC1-RS
 FA10654_LC1-REC
 FA10655_LC1-D
 FA11045_LC1-W-Tape
 FA11105_LC1-O-90
 FA11373_LC1-MD-Tape
 FA11449_LC1-M2

This drawing is our property.
 It can't be reproduced
 or communicated without
 our written agreement.



L T F F e i n e i n

DRAWING TITLE
Datasheet Assembly LC1-series

DRAWN BY
 p DATE
 17.01.2011

CHECKED BY
 t k DATE
 25.09.2008

DESIGNED BY
HH DATE
 24.07.2008

SIZE A4 DRAWING NUMBER - REV 1

SCALE 2:1 WEIGHT (g) - SHEET 1/1

D A

D C B A

4

3

2

1

Lens

Holder

Tape 0,2mm

16.5

Side view

Top view

Ø21.6

MATERIALS
 Lens: PMMA
 Holder: PC
 Tape: PU Foam

Part no.s:
 FA10652_LC1-M
 FA10653_LC1-RS
 FA10654_LC1-REC
 FA10655_LC1-D
 FA11045_LC1-W-Tape
 FA11105_LC1-O-90
 FA11373_LC1-MD-Tape
 FA11449_LC1-M2

This drawing is our property.
 It can't be reproduced
 or communicated without
 our written agreement.



L T F F
 e e i n
 i n

DRAWING TITLE

Datasheet Assembly LC1-series

DRAWN BY p	DATE 17.01.2011
---------------	--------------------

CHECKED BY t k	DATE 25.09.2008
-------------------	--------------------

DESIGNED BY HH	DATE 24.07.2008
-------------------	--------------------

SIZE A4	DRAWING NUMBER -	REV 1
------------	---------------------	----------

SCALE 2:1	WEIGHT (g) -	SHEET 1/1
--------------	-----------------	--------------

D A

D C B A

4

3

2

1

Lens

Holder

Tape 0,2mm

16.5

Side view

Top view

Ø21.6

MATERIALS
 Lens: PMMA
 Holder: PC
 Tape: PU Foam

Part no.s:
 FA10652_LC1-M
 FA10653_LC1-RS
 FA10654_LC1-REC
 FA10655_LC1-D
 FA11045_LC1-W-Tape
 FA11105_LC1-O-90
 FA11373_LC1-MD-Tape
 FA11449_LC1-M2

This drawing is our property.
 It can't be reproduced
 or communicated without
 our written agreement.



L T F F e i n e i n

DRAWING TITLE
Datasheet Assembly LC1-series

DRAWN BY
 p DATE
 17.01.2011

CHECKED BY
 t k DATE
 25.09.2008

DESIGNED BY
HH DATE
 24.07.2008

SIZE A4 DRAWING NUMBER - REV 1

SCALE 2:1 WEIGHT (g) - SHEET 1/1

D A

D C B A

4

3

2

1

Lens

Holder

Tape 0,2mm

16.5

Side view

Top view

Ø21.6

MATERIALS
 Lens: PMMA
 Holder: PC
 Tape: PU Foam

Part no.s:
 FA10652_LC1-M
 FA10653_LC1-RS
 FA10654_LC1-REC
 FA10655_LC1-D
 FA11045_LC1-W-Tape
 FA11105_LC1-O-90
 FA11373_LC1-MD-Tape
 FA11449_LC1-M2

This drawing is our property.
 It can't be reproduced
 or communicated without
 our written agreement.



L T F F e i n e i n

DRAWING TITLE
Datasheet Assembly LC1-series

DRAWN BY
 p

DATE
 17.01.2011

CHECKED BY
 t k

DATE
 25.09.2008

DESIGNED BY
HH

DATE
 24.07.2008

SIZE **A4** DRAWING NUMBER - REV **1**

SCALE **2:1** WEIGHT (g) - SHEET **1/1**

D A

D C B A

4

3

2

1

Lens

Holder

Tape 0,2mm

16.5

Side view

Top view

Ø21.6

MATERIALS
 Lens: PMMA
 Holder: PC
 Tape: PU Foam

Part no.s:
 FA10652_LC1-M
 FA10653_LC1-RS
 FA10654_LC1-REC
 FA10655_LC1-D
 FA11045_LC1-W-Tape
 FA11105_LC1-O-90
 FA11373_LC1-MD-Tape
 FA11449_LC1-M2

This drawing is our property.
 It can't be reproduced
 or communicated without
 our written agreement.



L T F F e i n e i n

DRAWING TITLE
Datasheet Assembly LC1-series

DRAWN BY
 p DATE
 17.01.2011

CHECKED BY
 t k DATE
 25.09.2008

DESIGNED BY
HH DATE
 24.07.2008

SIZE A4 DRAWING NUMBER - REV 1

SCALE 2:1 WEIGHT (g) - SHEET 1/1

D A

D C B A

4

3

2

1

Lens

Holder

Tape 0,2mm

16.5

Side view

Top view

Ø21.6

MATERIALS
 Lens: PMMA
 Holder: PC
 Tape: PU Foam

Part no.s:
 FA10652_LC1-M
 FA10653_LC1-RS
 FA10654_LC1-REC
 FA10655_LC1-D
 FA11045_LC1-W-Tape
 FA11105_LC1-O-90
 FA11373_LC1-MD-Tape
 FA11449_LC1-M2

This drawing is our property.
 It can't be reproduced
 or communicated without
 our written agreement.



L T F F e i n e i n

DRAWING TITLE
Datasheet Assembly LC1-series

DRAWN BY
 p DATE
 17.01.2011

CHECKED BY
 t k DATE
 25.09.2008

DESIGNED BY
HH DATE
 24.07.2008

SIZE A4 DRAWING NUMBER - REV 1

SCALE 2:1 WEIGHT (g) - SHEET 1/1

D A

D C B A

4

3

2

1

Lens

Holder

Tape 0,2mm

16.5

Side view

Top view

Ø21.6

MATERIALS
 Lens: PMMA
 Holder: PC
 Tape: PU Foam

Part no.s:
 FA10652_LC1-M
 FA10653_LC1-RS
 FA10654_LC1-REC
 FA10655_LC1-D
 FA11045_LC1-W-Tape
 FA11105_LC1-O-90
 FA11373_LC1-MD-Tape
 FA11449_LC1-M2

This drawing is our property.
 It can't be reproduced
 or communicated without
 our written agreement.



L T F F e i n e i n

DRAWING TITLE
Datasheet Assembly LC1-series

DRAWN BY
 p DATE
 17.01.2011

CHECKED BY
 t k DATE
 25.09.2008

DESIGNED BY
HH DATE
 24.07.2008

SIZE A4 DRAWING NUMBER - REV 1

SCALE 2:1 WEIGHT (g) - SHEET 1/1

D A

D C B A

4

3

2

1

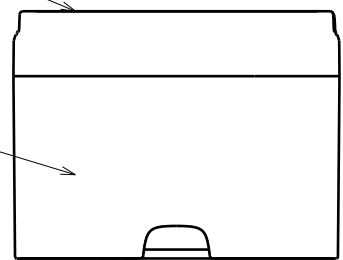
Lens

Holder

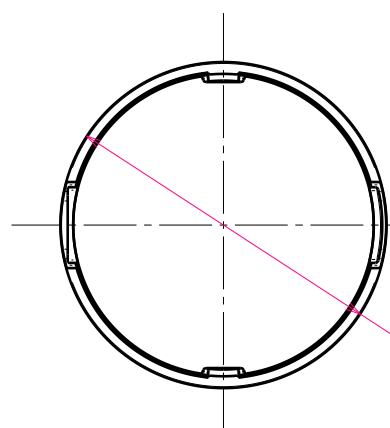
Tape 0,2mm

16.5

Side view



Top view



Ø21.6

MATERIALS
 Lens: PMMA
 Holder: PC
 Tape: PU Foam

Part no.s:
 FA10652_LC1-M
 FA10653_LC1-RS
 FA10654_LC1-REC
 FA10655_LC1-D
 FA11045_LC1-W-Tape
 FA11105_LC1-O-90
 FA11373_LC1-MD-Tape
 FA11449_LC1-M2

This drawing is our property.
 It can't be reproduced
 or communicated without
 our written agreement.



L T F F
 e e i n
 i n

DRAWING TITLE
Datasheet Assembly LC1-series

DRAWN BY
 p
 DATE
 17.01.2011

CHECKED BY
 t k
 DATE
 25.09.2008

DESIGNED BY
HH
 DATE
 24.07.2008

SIZE A4 DRAWING NUMBER - REV 1

SCALE 2:1 WEIGHT (g) - SHEET 1/1

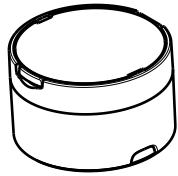
D A

D

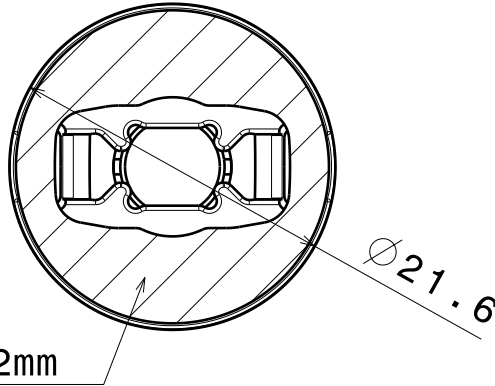
C

B

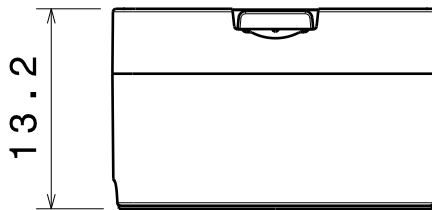
A



Isometric view
Scale: 1:1



Bottom view



Front view

MATERIALS
 Lens: PMMA
 Holder: PC
 Tape: PU Foam

Part no.s:
 FA11109_LOST-RS
 FA11110_LOST-D
 FA11112_LOST-M
 FA11114_LOST-O-90
 FA11115_LOST-REC

This drawing is our property.
 It can't be reproduced
 or communicated without
 our written agreement.



Ledil Oy
 Tehdaskatu 13
 FIN-24100 SALO
 Finland

DRAWING TITLE

Datasheet Lost-Series assy

DRAWN BY pv		DATE 09.03.2010		DRAWING NUMBER				REV 1	
CHECKED BY hh		DATE 17.09.2009						SIZE A4	WEIGHT (g)
DESIGNED BY pv		DATE 17.09.2009		SCALE 2:1	WEIGHT (g)		SHEET 1/1		

D

A

4

4

3

3

2

2

1

1