

# ICS25-TL77X12-5015 - Upper part of housing

2203877

<https://www.phoenixcontact.com/us/products/2203877>

Please be informed that the data shown in this PDF document is generated from our online catalog. Please find the complete data in the user documentation. Our general terms of use for downloads are valid.

DIN rail housing, Upper part, with transparent hinged cover, width: 25 mm, height: 78.5 mm, depth: 14.35 mm, color: blue (5015)



## Your advantages

- Flexible use, thanks to the modular system and unique modularity in the connection technology
- Standardized connections such as RJ45, USB, D-SUB and antenna sockets as components that can be integrated
- Optimal space utilization, as well as adaptability of design, colors, and printing
- Eight-position DIN rail connectors with parallel and up to two serial contacts for easy module-to-module communication

## Commercial data

Item number	2203877
Packing unit	1 pc
Minimum order quantity	10 pc
Sales key	AC09
Product key	ACHAEC
GTIN	4055626465524
Weight per piece (including packing)	13.74 g
Weight per piece (excluding packing)	9.78 g
Customs tariff number	85389099
Country of origin	DE

# ICS25-TL77X12-5015 - Upper part of housing

2203877

<https://www.phoenixcontact.com/us/products/2203877>

## Technical data


### Notes

General	Refer to the data sheet for the range in the download area.
---------	---

### Product properties

Product type	Upper housing part
Product family	ICS25
Type	Upper part, with transparent hinged cover
Housing type	DIN rail housing
Ventilation openings present	no
Housing series	ICS

### Dimensions

Dimensional drawing	
Width	25 mm
Height	78.5 mm
Depth	14.35 mm

### PCB design

PCB thickness	1.4 mm ... 1.8 mm
---------------	-------------------

### Material specifications

Color	blue (5015)
Color (Housing cover)	transparent
Flammability rating according to UL 94	V0
CTI according to IEC 60112	600
Surface characteristics	untreated
Housing material	Polyamide

### Environmental and real-life conditions

#### Vibration test

Specification	IEC 60068-2-6:2007-12
Frequency	10 - 150 - 10 Hz
Sweep speed	1 octave/min
Amplitude	0.15 mm (10 Hz ... 58.1 Hz)

# ICS25-TL77X12-5015 - Upper part of housing



2203877

<https://www.phoenixcontact.com/us/products/2203877>

Acceleration	2g (58.1 Hz ... 150 Hz)
Test duration per axis	2.5 h
Test directions	X-, Y- and Z-axis

## Glow-wire test

Specification	IEC 60695-2-11:2014-02
Temperature	850 °C
Time of exposure	30 s

## Thermal stability / ball thrust test

Specification	IEC 60695-10-2:2014-02
Temperature	125 °C
Test duration	1 h
Force	20 N

## Mechanical strength / tumbling barrel

Specification	IEC 60068-2-31:2008-05
Height of fall	50 cm
Frequency	50

## Shocks

Specification	IEC 60068-2-27:2008-02
Pulse shape	Semi-sinusoidal
Acceleration	15g
Shock duration	11 ms
Number of shocks per direction	3
Test directions	X-, Y- and Z-axis (pos. and neg.)

## Test for substances that would hinder coating with paint or varnish

Specification	VDMA 24364:2018-05
Result	Test passed

## Degree of protection (IP code)

Specification	IEC 60529:1989-11 + AMD 1:1999-11 + AMD 2:2013-08
Result, degree of protection, IP code	IP20

## Ambient conditions

Max. IP code to attain	IP20
Ambient temperature (operation)	-40 °C ... 105 °C (depending on power dissipation)
Ambient temperature (storage/transport)	-40 °C ... 55 °C
Ambient temperature (assembly)	-5 °C ... 100 °C
Relative humidity (storage/transport)	80 %

## PCB data

Number of PCB holders	2
Type of PCB mount	Slot
Thickness of the PCB	1.4 mm ... 1.8 mm

# ICS25-TL77X12-5015 - Upper part of housing



2203877

<https://www.phoenixcontact.com/us/products/2203877>

## Mounting

Mounting type	Snap in
Mounting position	Vertical (horizontal DIN rail)

## Packaging specifications

Type of packaging	packed in cardboard
Outer packaging type	Carton

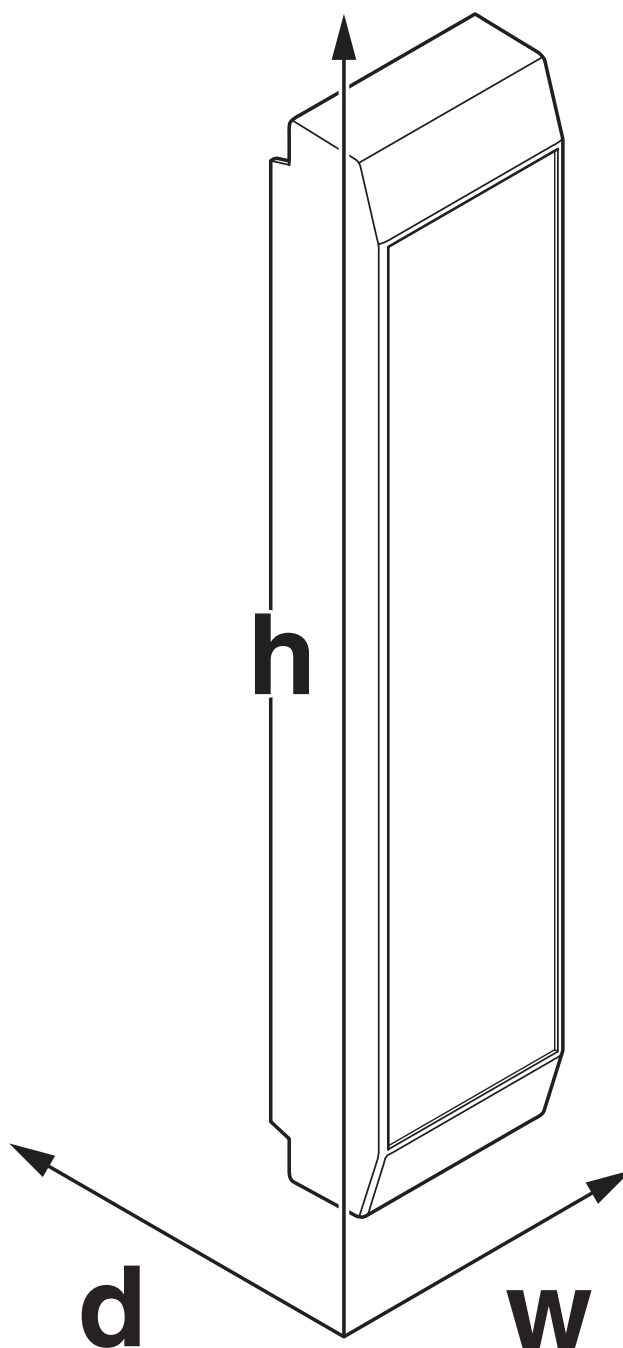
# ICS25-TL77X12-5015 - Upper part of housing

2203877

<https://www.phoenixcontact.com/us/products/2203877>

## Drawings

Dimensional drawing



Schematic figure for illustrating the item dimensions. The figure is not of the desired product. For further details, refer to the product drawings in the "Downloads" tab.

# ICS25-TL77X12-5015 - Upper part of housing



2203877

<https://www.phoenixcontact.com/us/products/2203877>

## Approvals

To download certificates, visit the product detail page: <https://www.phoenixcontact.com/us/products/2203877>



**EAC**

Approval ID: B.01687



**UL Recognized**

Approval ID: FILE E 240868

# ICS25-TL77X12-5015 - Upper part of housing



2203877

<https://www.phoenixcontact.com/us/products/2203877>

## Classifications

### ECLASS

ECLASS-11.0	27182702
ECLASS-13.0	27190603

### ETIM

ETIM 8.0	EC001031
----------	----------

### UNSPSC

UNSPSC 21.0	31261500
-------------	----------

# ICS25-TL77X12-5015 - Upper part of housing



2203877

<https://www.phoenixcontact.com/us/products/2203877>

## Environmental product compliance

China RoHS	Environmentally friendly use period: unlimited = EFUP-e No hazardous substances above threshold values
------------	---

Phoenix Contact 2023 © - all rights reserved  
<https://www.phoenixcontact.com>

Phoenix Contact USA  
586 Fulling Mill Road  
Middletown, PA 17057, United States  
(+717) 944-1300  
[info@phoenixcon.com](mailto:info@phoenixcon.com)