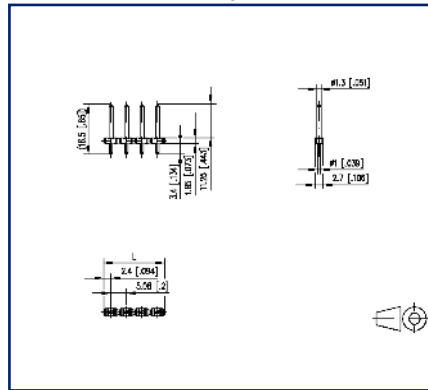


Data sheet
PR016xxVBVC Typ 028

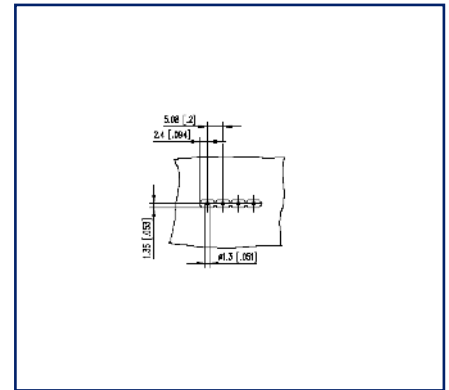
Illustrations



Dimensional drawing



Drill pattern





See enlarged drawings at the end of document

Product specification

- pin header, THR solderable
- centerline 5.08 mm, direction of connection vertical 0°
- fittable without loss of poles
- color black
- Tape & Reel packaging possible

Technical Data

General Data			
Solder pin length	3.4 mm		
min. number of poles	2		
max. number of poles	24		
Insulating material class	CTI 400		
clearance/creepage dist.	3.78 mm		
Protection category	IP00		
Rated current	10 A		
Overvoltage category	III	III	II
Pollution degree	3	2	2
Rated voltage	250 V	500 V	500 V
Rated test voltage	4 kV	4 kV	4 kV
Approvals			
 V / A	300 / 15		
approval UL - File No.	E121004		
 SEV Reg 130002	250 V / 4 kV / 10 A / 1.0 mm		
Material			
insulating material	PA46		
flammability class	V0		
contact pin material	CuZnPb		
contact pin surface	Ni + Ag		
Glow-Wire Flammability GWFI	-		
Glow-Wire Flammability GWIT	-		
REACH	compliant		
REACH - substance (SVHC)	Lead / 7439-92-1		
Climatic Data			
upper limit temperature	105 °C		
lower limit temperature	-40 °C		
general			
Tolerance	ISO 2768 -mH		
Solderability	Acc. to IPC/JEDEC J-STD-020D-MSL 1		

U | Contact

Data sheet
PR016xxVBVC Typ 028

Page 3/5

P/N
310281xx

xx=number of poles

2022/04/05

Version: T

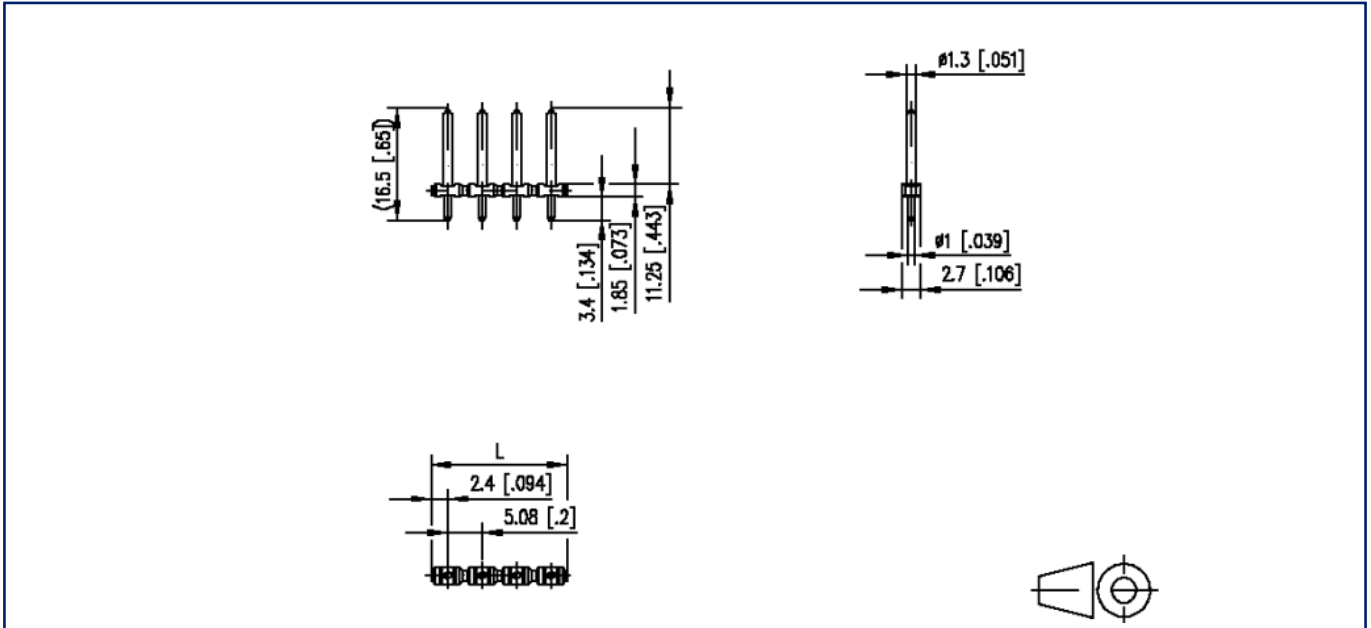
Counterpart of

P/N	Designation
310791	RP026xxIBWU Typ 079



Illustrations

Dimensional drawing



$L = (\text{pole size} - 1) \times \text{centerline} + 4.8 \text{ mm} [0.189]$

© 2022 METZ CONNECT - Technische Änderungen vorbehalten! Subject to modifications! Sous réserve de modifications techniques!

Illustrations

Drill pattern

