

5

4

3

2

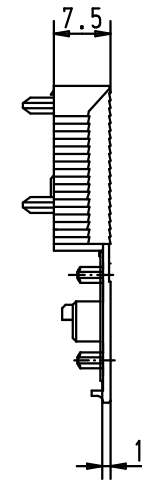
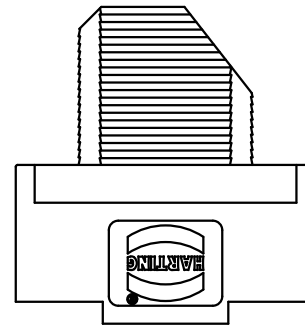
1

D

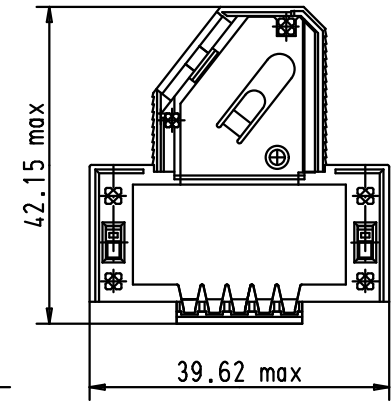
C

B

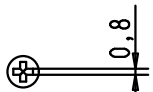
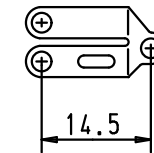
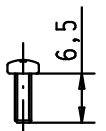
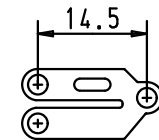
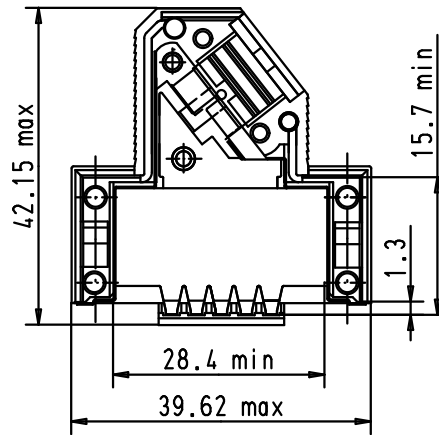
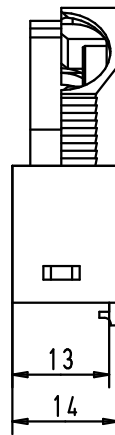
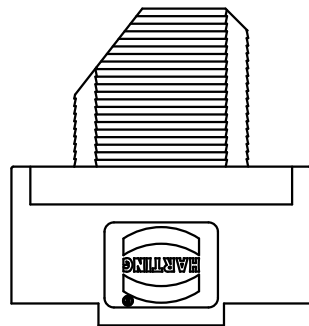
A



Hood upper part





Hood lower part



Strain relief 1

Strain relief 2

Flathead screws

				Dat.	Name	 All Dim. in mm Orig. Size DIN A 4	D-Sub Hoods 15 POLES SHIELDED	Maßstab/ Scale 1:1		
			Detail.	27/02/03	S.H.					
			Insp.							
			Stand.							
EC01696	20/04/10	SC	HARTING EURL F-95972 Paris				TB 09 67 015 0573	Blatt/ Page 1 / 1		
31392	27/02/03	S.H.								
Mod.	Dat.	Name								