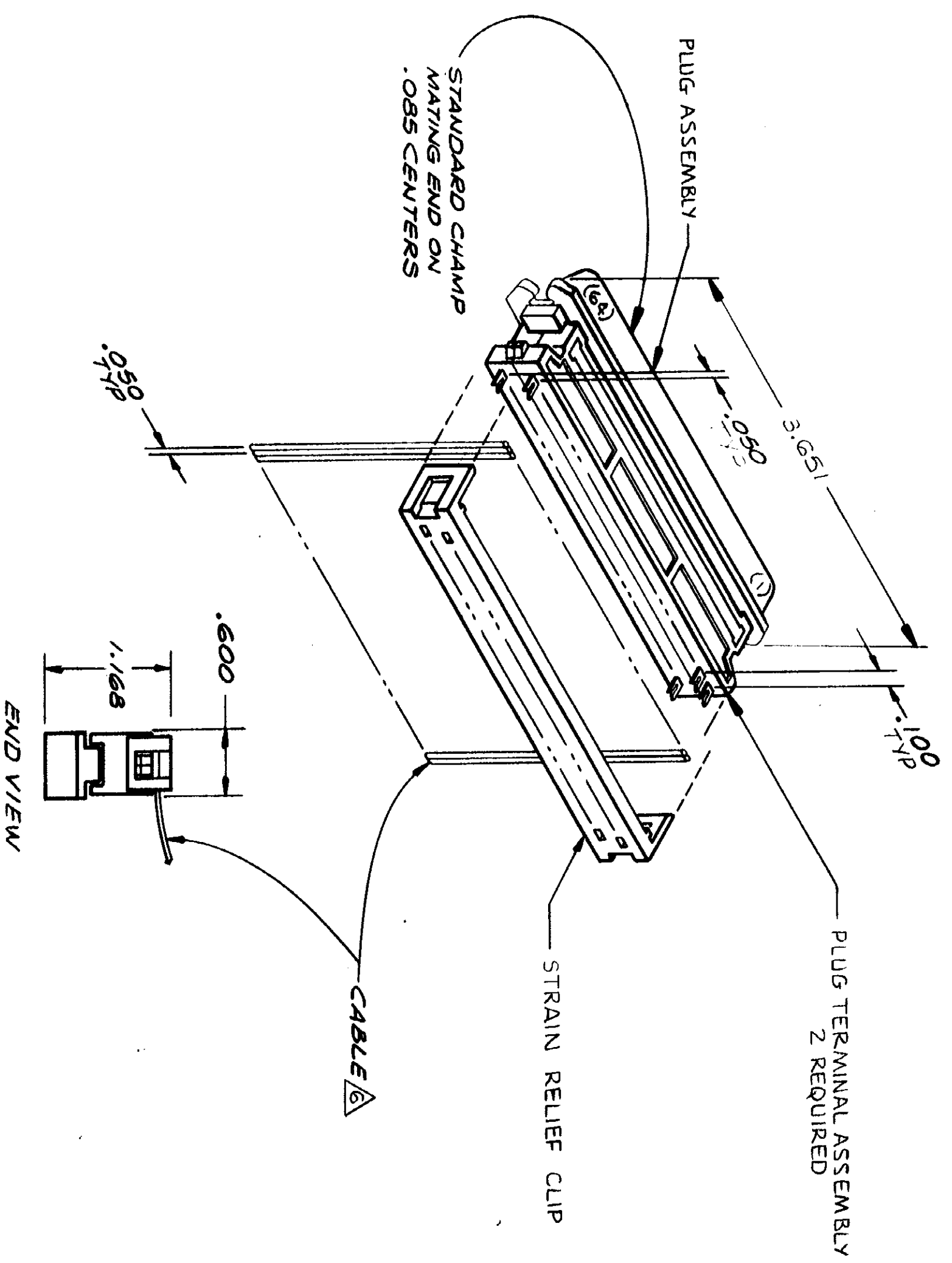


DRAWING MADE IN THIRD ANGLE PROJECTION

© COPYRIGHT 1979 BY AMP INCORPORATED, HARRISBURG, PA. ALL INTERNATIONAL RIGHTS RESERVED. AMP INCORPORATED PRODUCTS COVERED BY U. S. AND FOREIGN PATENTS AND/OR PATENTS PENDING.

| REVOLUTIONS | | DATE | APPROVED | LOC | DIST |
|-------------|----------|--------------------------|------------|-----|------|
| P | ZONE LTR | DESCRIPTION | | AA | 13/2 |
| Q | | RLSD PER NPI C 79-19 | 7/2/79 SD | | |
| A | | CHG DWG TITLE ECN C-1254 | 4/24/79 RZ | | |
| B | | REV PER AA-509 | 2-28-80 AJ | | |
| C | | REV PER ECN 9A-738 | 2-28-81 TP | | |



1. THE CONTACT SURFACES OF THE TERMINALS ARE COATED WITH LUBRICANT.
2. MATERIAL: HOUSING & STRAIN RELIEF CLIP- THERMO-PLASTIC (BLK)
TERMINALS- GOLD OVER NICKEL PLATED HIGH STRENGTH COPPER ALLOY ON MATING END & GOLD FLASH OVER NICKEL PLATE ON TERMINATING END.
3. STRAIN RELIEF CLIP SHIPPED UNASSEMBLED.
4. WIRE RANGE: 28 AWG (STRANDED) OR 30 AWG (SOLID) COPPER RIBBON CABLE.
5. ALL DIMENSIONS SHOWN ARE FOR REFERENCE ONLY. RIBBON CABLE SHALL BE FURNISHED BY CUSTOMER.

552933-1 AS SHOWN

| | | | | | |
|---|--|-------------|--|---|--|
| UNLESS OTHERWISE SPECIFIED DIMENSIONS ARE IN INCHES. TOLERANCES ON: DECIMALS ± # ANGLES | | CONTRACT NO | | NAME | |
| MATERIAL | | DR | | KIT, PLUG, 64 POSN, RIBBON CABLE, CHAMP (BAIL LOCK) | |
| FINISH | | CHK | | SIZE CODE IDENT NO/DRAWING NO | |
| | | APPRD | | SCALE 1:1 | |
| | | DSGN APPD | | SHEET 1 OF 1 | |
| | | OTHER APPD | | CUSTOMER DRAWING | |



552933