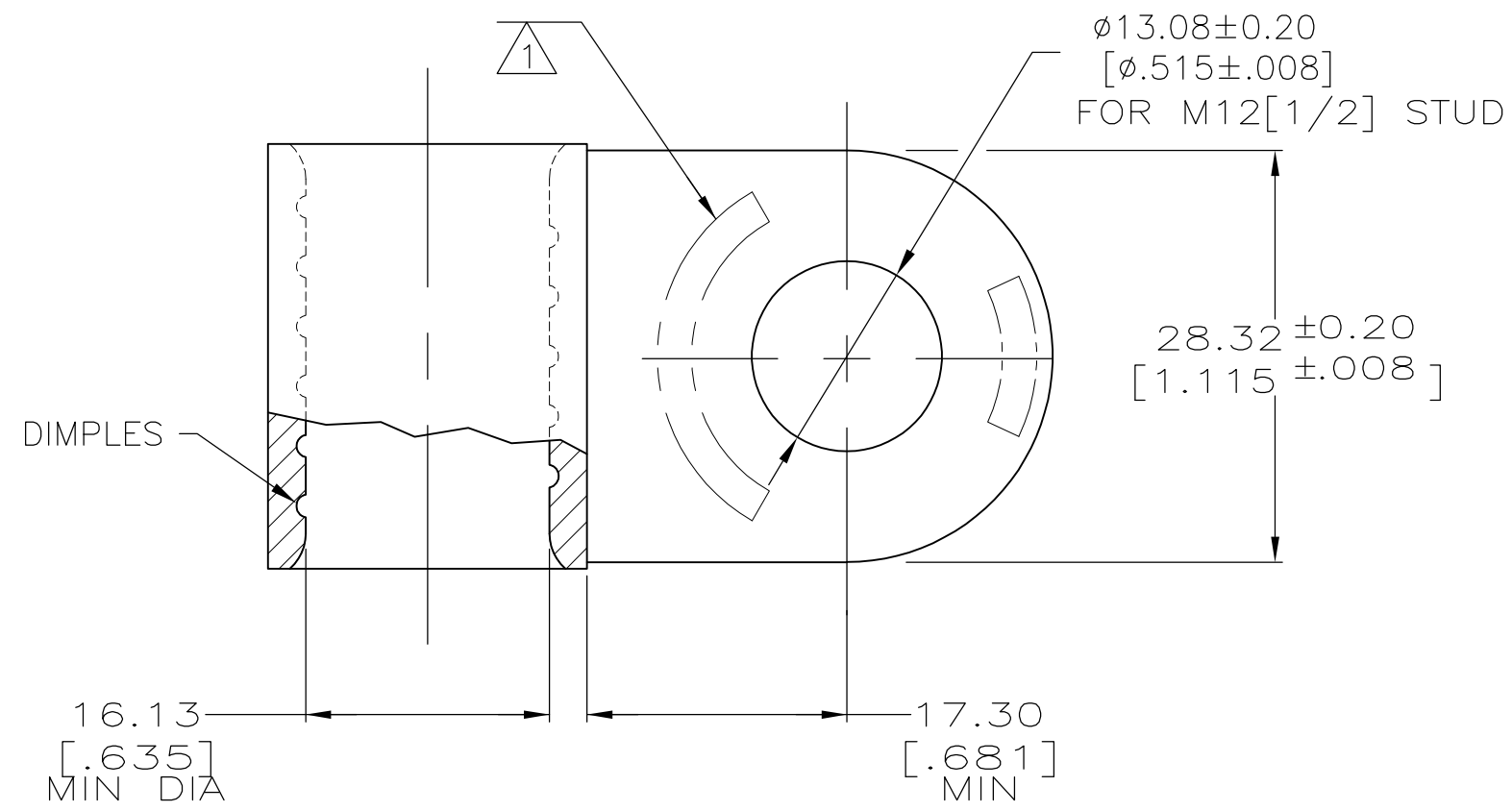


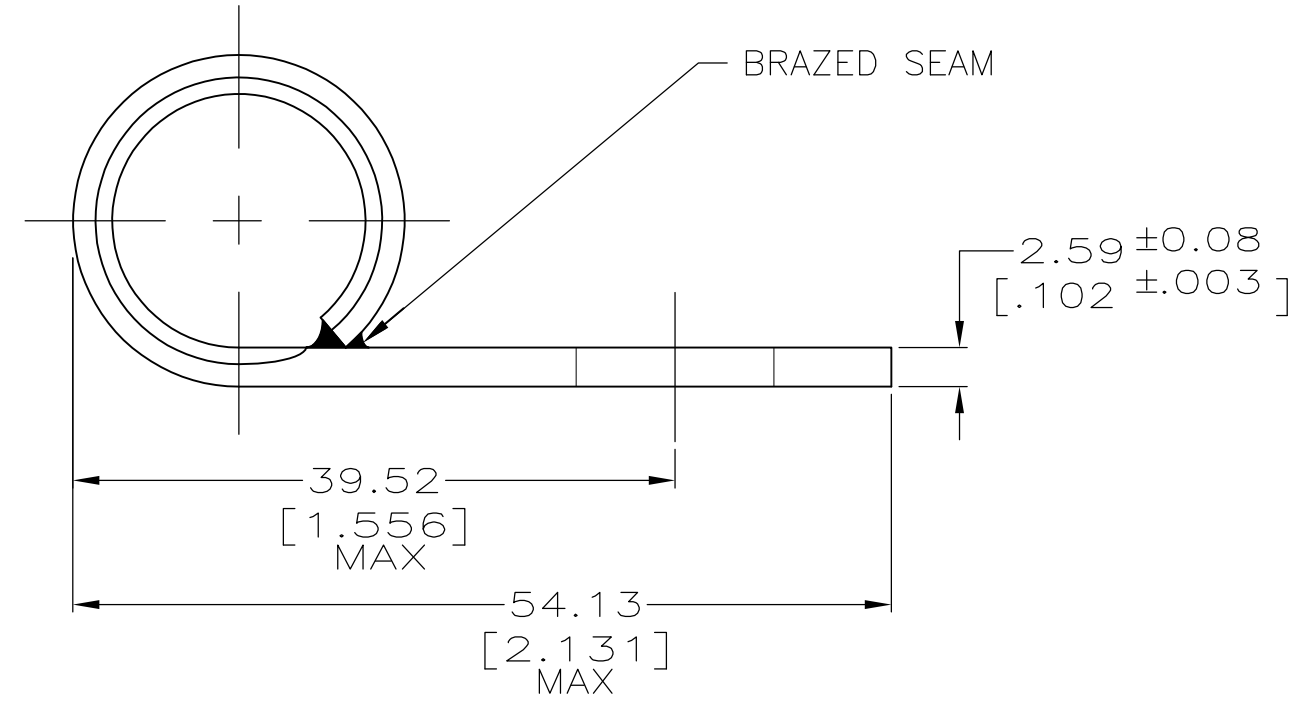
THIS DRAWING IS UNPUBLISHED. RELEASED FOR PUBLICATION
 © COPYRIGHT - By - ALL RIGHTS RESERVED.

LOC	DIST	REVISIONS					
		P	LTR	DESCRIPTION	DATE	DWN	APVD
G	14		E1	REVISED PER ECO-12-003798	29FEB12	KH	DR



AMP WIRE RANGE	Listed FILE E13288	LR7189 Certified
4/0 AWG SOLID OR STRANDED	4/0 AWG STRANDED	4/0 AWG SOLID OR STRANDED

- STAMP AMP 4/0W* 200 APPROX AS SHOWN
- TIN PL 0.00254[.000100] MIN THK PER ASTM B-545
- NICKEL PL 0.00508[.000200] MIN THK PER QQ-N-290
- UL AND CSA APPROVALS FOR P/N 321259 ONLY
- COPPER PER ASTM B-152, ANNEALED



343° C MAX		321259-1
170° C MAX		321259
MAX OPERATING TEMPERATURE	FINISH	AMP PART NUMBER

AMP INCORPORATED CUSTOMER SERVICE SYSTEMS

THIS DRAWING IS A CONTROLLED DOCUMENT.

FOR ADDITIONAL PRODUCT INFORMATION OR COPIES OF DRAWINGS AND TECHNICAL DOCUMENTS	PRODUCT INFORMATION CENTER 1-800-522-6752	RECOMMENDED OPERATING TEMPERATURE: SEE TABLE
FOR APPLICATION TOOLING INFORMATION	TOOLING ASSISTANCE CENTER 1-800-722-1111	VOLTAGE RATING: NOT APPLICABLE
FOR ORDER ENTRY	1-800-526-5142	WIRE CROSS SECTIONAL AREA RANGE: 96.3-117.0mm ² [190,000-231,000] CIR MILS SOLID OR STRANDED

DIMENSIONS: mm [INCHES]	TOLERANCES UNLESS OTHERWISE SPECIFIED:
	0 PLC ± - 1 PLC ± - 2 PLC ± - 3 PLC ± - 4 PLC ± - ANGLES ± -
MATERIAL	FINISH
	SEE TABLE

DWN	DK SCHRUM	030CT97
CHK	MJ SPICER	060CT97
APVD	JL MECKLEY	060CT97
PRODUCT SPEC		
APPLICATION SPEC		
WEIGHT	-	
CUSTOMER DRAWING		

STE TE Connectivity

NAME: TERMINAL, RING TONGUE, FLAG, SOLISTRAND

SIZE	CAGE CODE	DRAWING NO	RESTRICTED TO
A3	00779	C-321259	-

SCALE: 2:1 SHEET: 1 OF 1 REV: E1