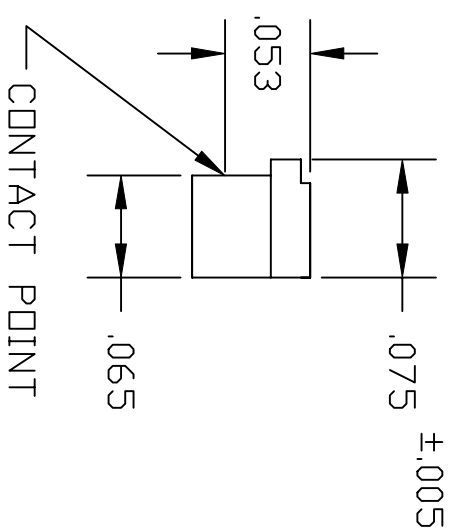
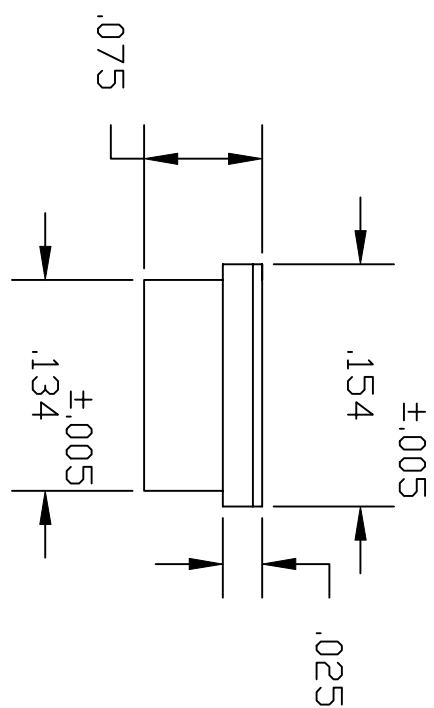


DESCRIPTION: 2MM SHUNT LOW PROFILE, .075" TIN/LEAD



MATERIAL: HOUSING: GLASS FILLED THERMOPLASTIC, UL 94V-0, BLACK
 CONTACT: HIGH PERFORMANCE COPPER ALLOY
PLATING: TIN/LEAD ALL OVER
ELECTRICALS: CURRENT RATING: 1.0 AMPERE MAX.
 CONTACT RESISTANCE: 30 MILLIOHM MAX.
 DMV: 500 Vrms MIN.
 INSULATION RESISTANCE: 1 X 10⁴ MOHMS
 OPERATING TEMP: -55°C TO 105°C

	THESE DRAWINGS AND SPECIFICATIONS ARE THE PROPERTY OF NorComp AND SHALL NOT BE REPRODUCED, COPIED OR USED AS THE BASIS FOR THE MANUFACTURE OF APPARATUS WITHOUT WRITTEN PERMISSION.		
	DRAWN: PAM JENKINS	DATE: 12-13-01	CHECKED:

NorComp	SCALE:	SHEET 1	OF 1	REV 1
DWG NO.	800-002-LP1-006			