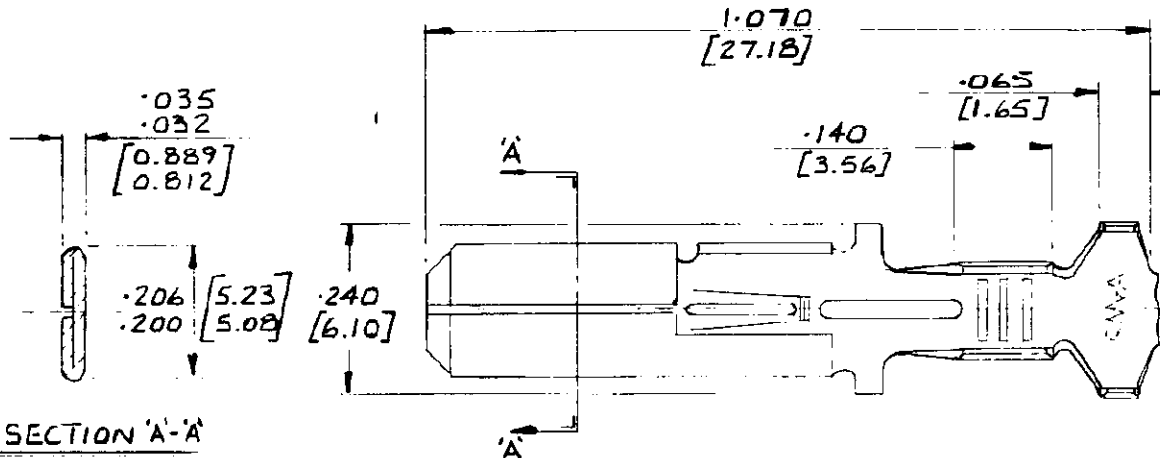


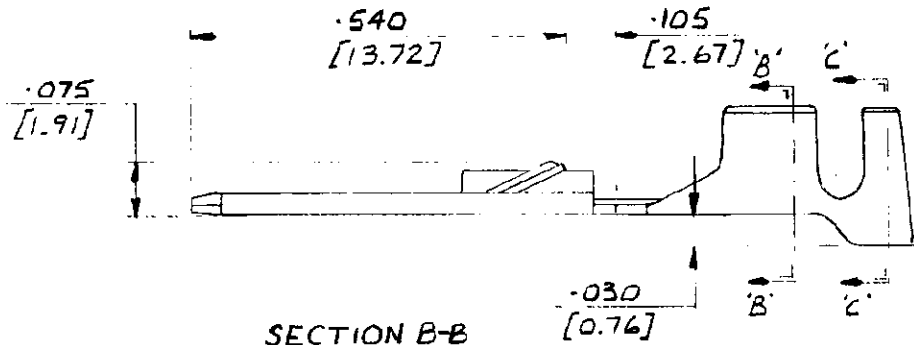
3rd ANGLE (AMERICAN) PROJECTION

DIMENSIONS IN INCHES. DO NOT SCALE PRINT  
DIMENSIONS THUS [ ] IN MM.

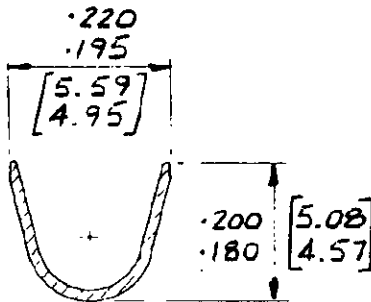
NUMBER  
C-153301



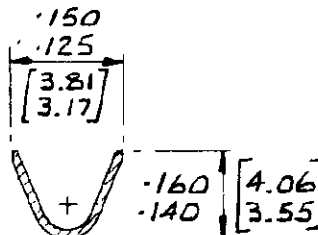
SECTION A-A



SECTION B-B



SECTION C-C



NOTE: -.094--.140 INSULATION  
[2.4 - 3.56]

	1-153301-2	REVERSED REEL OF 153301-2
341209-2	153301-2	PRE-TIN
341209-1	153301-1	NONE
L.P. PART NO	PART NO	FINISH

J	TRANSITION RADIUS	DB	4376	20/1/87
H	L.P. NOS ADDED	MW		6-3-85
G	WIRE RANGE TO READ 18-19 NOTE DID READ: 100-140	CS		5-1-83
F	1-2 ADDED	KS		27/7/81
E	ALTERED PICTORIALY	CS		24/1/73
D	REDRAWN & UPDATED	ZGR		23/10/73
LTR	REVISION RECORD	DR	CHK	DATE
DR	D.C. ROSS	23/10/75	DE	23/10/75
CHK	B SMITH	23/10/75	APP	2-2-73

© AMP OF GREAT BRITAIN LTD 1973	
MATERIAL AND FINISH -.016 [0.41] THICK BRASS	
FINISH: - SEE TABLE	
WIRE - RANGE - INSULATION .065-2.08mm SEE NOTE	
TOLERANCE EXCEPT AS NOTED ± .015 [0.38] ± 1° D'	SCALE 4:1
NAME -203 [5.16] TAB	

CUSTOMER COPY REFERENCE ONLY	
TERMINAL HOUSE, STANMORE, MIDDX.	
CLASS	TYPE
LOC E	NO A
NO C-153301	
REV J	

PRINT DIST.