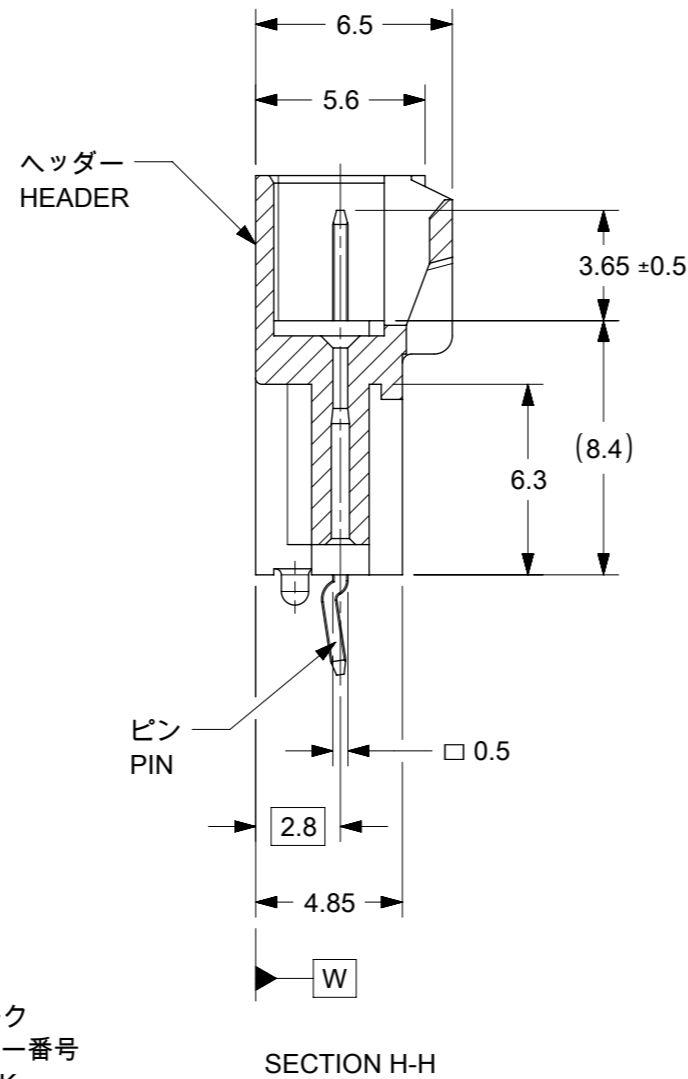
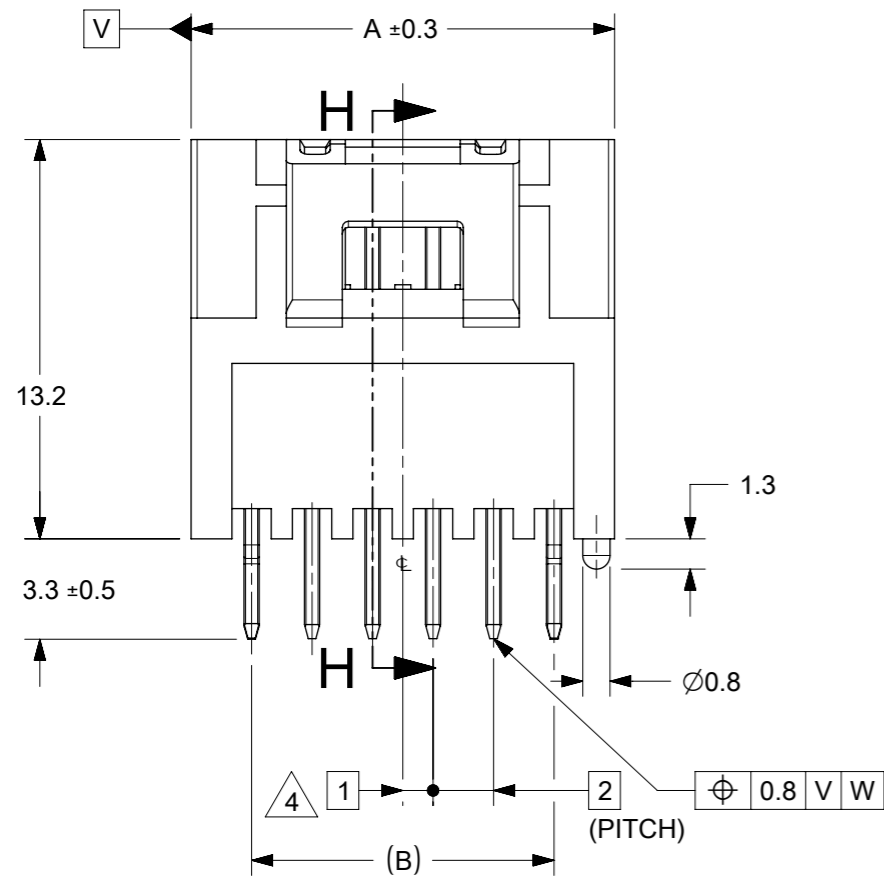


回路番号1  
CKT. NO. 1

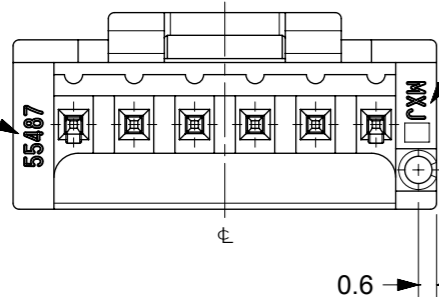


ヘッダー  
HEADER

ピン  
PIN

SECTION H-H

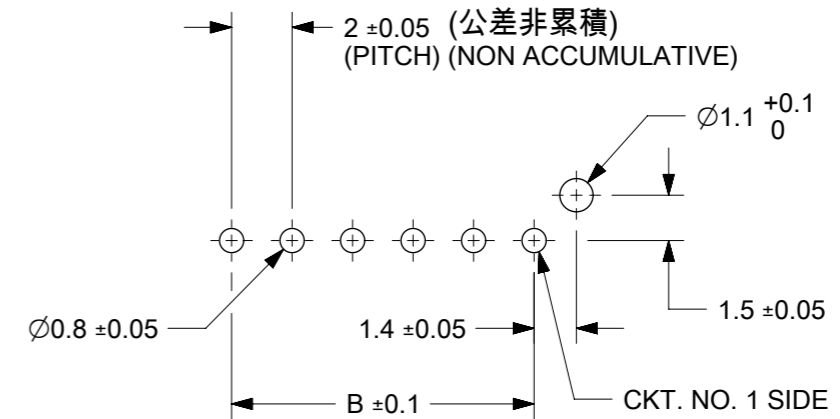
製品番号  
ENG. NO.



トレードマーク  
& キャビティー番号  
TRADE MARK  
& CAV. NO.

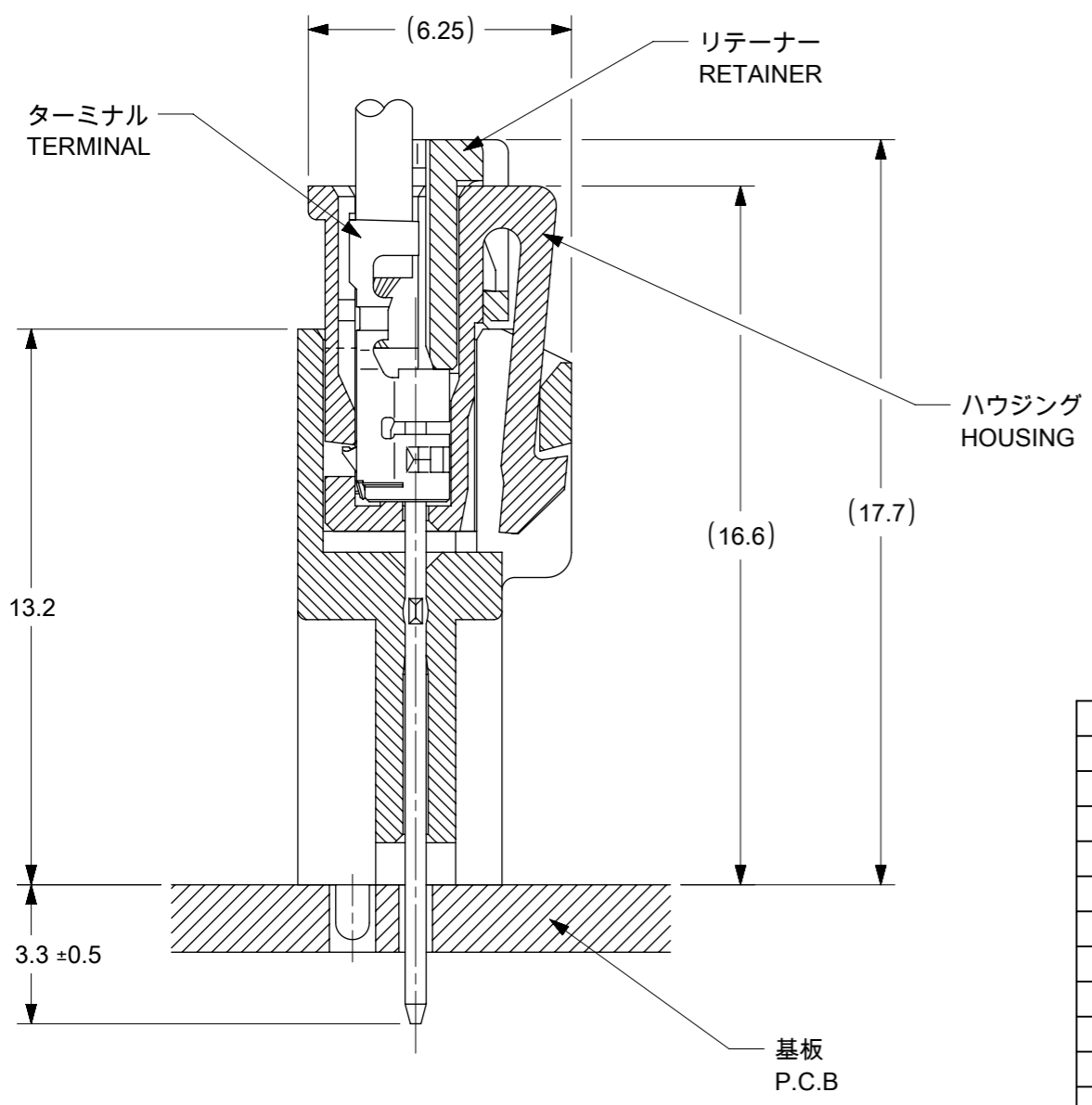
注記  
NOTE

1. 材料 MATERIAL  
ピン : 黄銅, 銅下地錫メッキ  
PIN : BRASS, Sn OVER Cu PLATED  
ヘッダー : 66ナイロン ( ガラス入り : 20% ), UL94V-0  
( 色 : 自然色 又は 染色 )  
HEADER : NYLON66 ( G.F. : 20% ), UL94V-0  
( COLOR : NATURAL OR DYED COLOR )
2. 嵌合相手 : 51216シリ - ズ  
MATE WITH : 51216 SERIES
3. ソルダーテールキックは、両端のピンのみとする。  
KINK TO BE APPLIED FOR 2 PINS AT BOTH ENDS.
4. 偶数極に適用。  
APPLY EVEN CIRCUIT PRODUCTS.
5. 本製品は 55487-\*\*10/-\*\*12/-\*\*13/\*\*14/\*\*16 の鉛フリー品である。  
THIS PRODUCT IS LEAD FREE OF 55487-\*\*10/-\*\*12/-\*\*13/-\*\*14/-\*\*16.

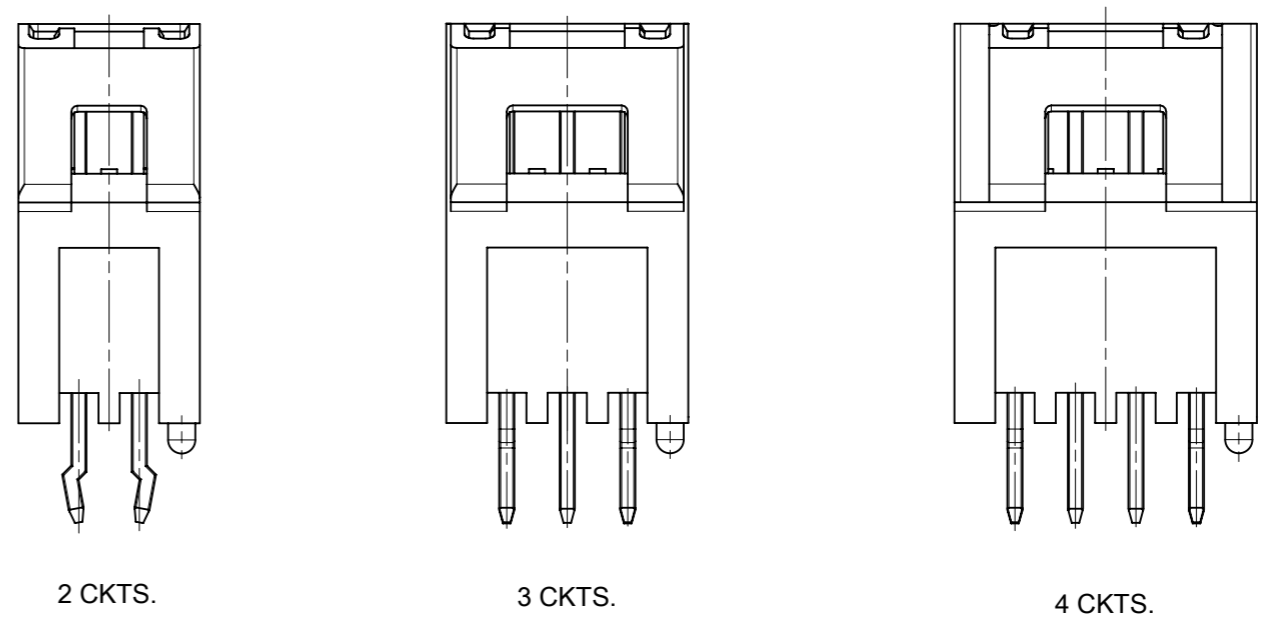


基板取付穴推奨寸法 (マウント面)  
RECOMMENDED P.C.BOARD  
HOLE DIMENSION  
(MOUNTING SIDE)  
(T=1.6)

THIS DRAWING CONTAINS INFORMATION THAT IS PROPRIETARY TO MOLEX ELECTRONIC TECHNOLOGIES, LLC AND SHOULD NOT BE USED WITHOUT WRITTEN PERMISSION									
DIMENSION UNITS mm		SCALE 4:1		CURRENT REV DESC:					
GENERAL TOLERANCES (UNLESS SPECIFIED)									
ANGULAR TOL ± 3.0°								MICROTPA 2.0 W/B SINGLE ROW DIP VERTICAL HEADER ASSEMBLY	
4 PLACES ±				EC NO: 732251				PRODUCT CUSTOMER DRAWING	
3 PLACES ±				DRWN: AISHIKAWA 2022/11/09				DOCUMENT NUMBER	
2 PLACES ± 0.2				CHK'D: AIDA 2023/05/19				SD-55487-007	
1 PLACE ± 0.2				APPR: SAKIYAMA 2023/05/19				DOC TYPE DOC PART REVISION	
0 PLACES ± 0.2				INITIAL REVISION:				PSD 001 E	
DRAFT WHERE APPLICABLE MUST REMAIN WITHIN DIMENSIONS		THIRD ANGLE PROJECTION		DRAWING		SERIES		MATERIAL NUMBER	
		A3-SIZE		55487		CUSTOMER		GENERAL MARKET	
								SHEET NUMBER	
								1 OF 2	



嵌合断面図 (参考)  
LAYOUT OF EACH CKTS.



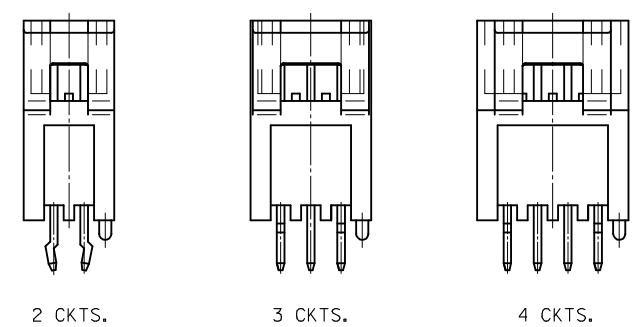
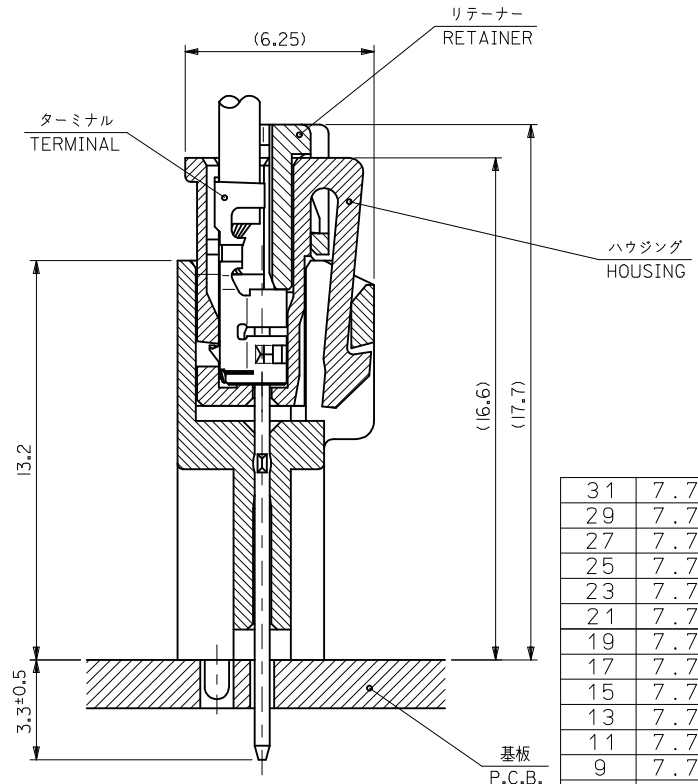
極数レイアウト図  
LAYOUT OF EACH CKTS.

31	7.7	28	32					55487-1519	15
29	7.7	26	30					55487-1419	14
27	7.7	24	28					55487-1319	13
25	7.7	22	26			55487-1223		55487-1219	12
23	7.7	20	24					55487-1119	11
21	7.7	18	22					55487-1019	10
19	7.7	16	20					55487-0919	9
17	7.7	14	18					55487-0819	8
15	7.7	12	16					55487-0719	7
13	7.7	10	14					55487-0619	6
11	7.7	8	12				55487-0522	55487-0519	5
9	7.7	6	10					55487-0419	4
7	7.7	4	8					55487-0319	3
5	6	2	6	55487-0226	55487-0224	55487-0223		55487-0219	2
D	C	B	A	COLOR : GREEN 色 : 緑	COLOR : BLUE 色 : 青	COLOR : YELLOW 色 : 黄	COLOR : RED 色 : 赤	COLOR : WHITE 色 : 白	CKT 極数
TRAY PACKAGE									
オーダー番号 ORDER NO.									
CONNECTOR SERIES NO. 55487-****									

THIS DRAWING CONTAINS INFORMATION THAT IS PROPRIETARY TO MOLEX ELECTRONIC TECHNOLOGIES, LLC AND SHOULD NOT BE USED WITHOUT WRITTEN PERMISSION

DIMENSION UNITS <b>mm</b>	SCALE <b>4:1</b>	CURRENT REV DESC:		<b>molex</b>		
GENERAL TOLERANCES (UNLESS SPECIFIED)		EC NO: 732251				
ANGULAR TOL ± 3.0°		4 PLACES ±		PRODUCT CUSTOMER DRAWING		
		3 PLACES ±		DOCUMENT NUMBER		
		2 PLACES ± 0.2		SD-55487-007		
		1 PLACE ± 0.2		DOC TYPE DOC PART REVISION		
		0 PLACES ± 0.2		PSD 001 E		
DRAFT WHERE APPLICABLE MUST REMAIN WITHIN DIMENSIONS		THIRD ANGLE PROJECTION	DRAWING	SERIES	MATERIAL NUMBER	CUSTOMER
			A3-SIZE	55487		GENERAL MARKET
						SHEET NUMBER 2 OF 2

10 9 8 7 6 5 4 3 2 1



種数レイアウト図  
LAYOUT OF EACH CKTS.

嵌合断面図 (参考)  
LAYOUT OF EACH CKTS.

31	7.7	28	32	55487-1526		55487-1523	55487-1522	55487-1519	15	
29	7.7	26	30	55487-1426		55487-1423	55487-1422	55487-1419	14	
27	7.7	24	28					55487-1319	13	
25	7.7	22	26	55487-1226		55487-1223	55487-1222	55487-1219	12	
23	7.7	20	24					55487-1119	11	
21	7.7	18	22	55487-1026	55487-1024	55487-1023	55487-1022	55487-1019	10	
19	7.7	16	20	55487-0926		55487-0923	55487-0922	55487-0919	9	
17	7.7	14	18	55487-0826		55487-0823	55487-0822	55487-0819	8	
15	7.7	12	16					55487-0719	7	
13	7.7	10	14					55487-0619	6	
11	7.7	8	12	55487-0526		55487-0523	55487-0522	55487-0519	5	
9	7.7	6	10					55487-0419	4	
7	7.7	4	8					55487-0319	3	
5	6	2	6	55487-0226	55487-0224	55487-0223		55487-0219	2	
				COLOR : GREEN 色 : 緑	COLOR : BLUE 色 : 青	COLOR : YELLOW 色 : 黄	COLOR : RED 色 : 赤	COLOR : WHITE 色 : 白	CKT 極数	
D	C	B	A	TRAY PACKAGE						
オーダー番号 ORDER NO.										
CONNECTOR SERIES NO. 55487-****										

SEE SHEET 1 EC NO: J2015-0174 DRWN: YWAKE 2014/08/04 CHKD: KASAKAWA 2014/08/04 APPR: NUKITA 2014/08/05	GENERAL TOLERANCES (UNLESS SPECIFIED)		DIMENSION STYLE MM ONLY		SCALE ---	DESIGN UNITS METRIC	THIRD ANGLE PROJECTION		
	10 UNDER	±0.2	DRAWN BY M. NABE I	DATE '05/05/20	TITLE 2.0 MM W TO B CONN. HEADER ASS'Y (ST.)				
	10 OVER 30 UNDER	±0.25	CHECKED BY K. TOJO	DATE '05/05/20					
	30 OVER	±0.3	APPROVED BY N. UKITA	DATE '05/05/20					
ANGULAR ±3 °		MATERIAL NO. SEE SHEET 1		DOCUMENT NO. SD-55487-007		SHEET NO. 2 OF 2			
DRAFT WHERE APPLICABLE MUST REMAIN WITHIN DIMENSIONS		THIS DRAWING CONTAINS INFORMATION THAT IS PROPRIETARY TO MOLEX INCORPORATED AND SHOULD NOT BE USED WITHOUT WRITTEN PERMISSION							

9 8 7 6 5 4 3 2