

PART NUMBER	REV	FIRST USED
466979-1	F	854040-3
466979-2	B	854040-3

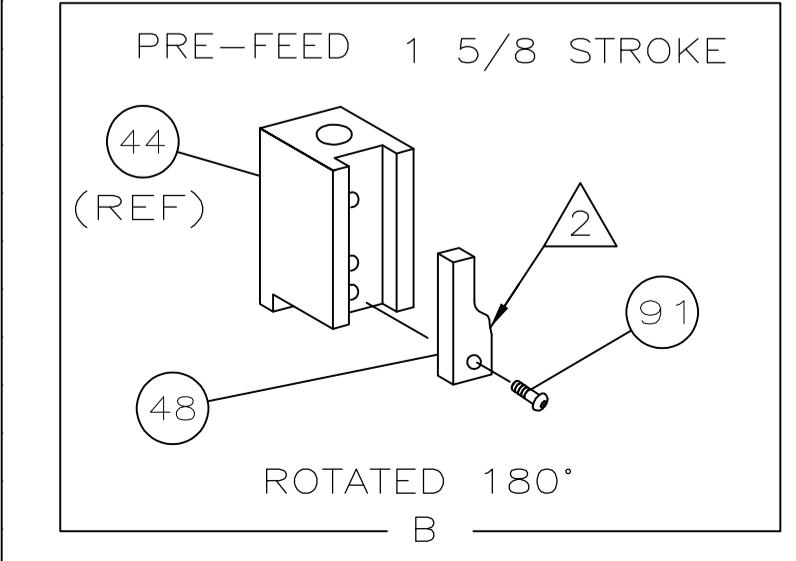
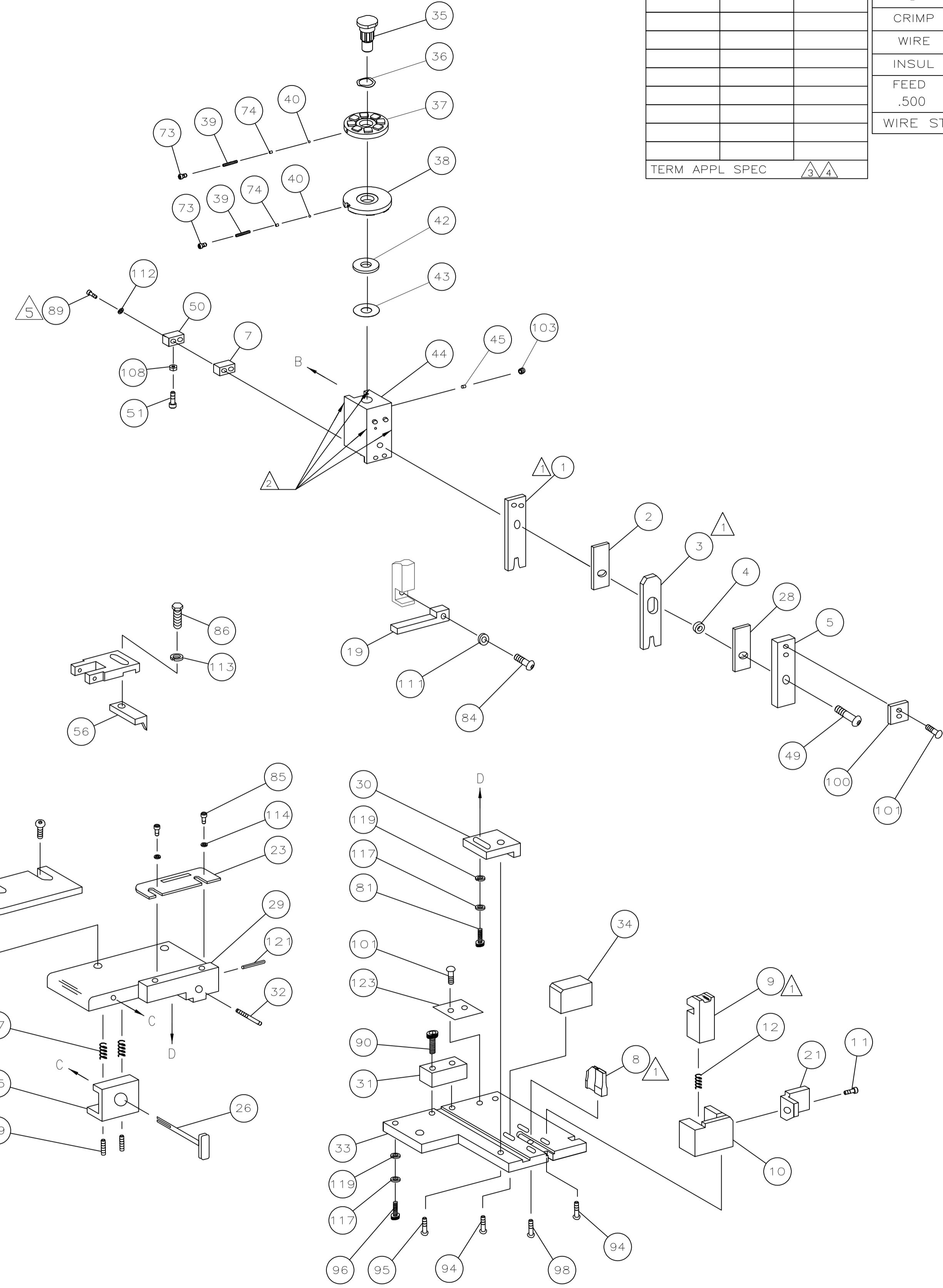
OBSOLETE

TERMINAL NAME: TYPE III PIN AND SOCKET	
SOCKET	PIN
66563	66564
738390	

CRIMPING DATA			
VISIBLE PAD LTR	CRIMP HEIGHT	WIRE SIZE	
A	.038 ±.002	22	
B	.036 ±.002	24	
C	.042 ±.002	20	
D	NOT	USED	
CRIMP	SIZE	TYPE	RANGE
WIRE	.062	F	24-20
INSUL	.120	0	.060-.135
FEED	APPL INST	SET UP GAGE	LAYOUT
.500	AI-	-	818
WIRE STRIP LENGTH .141-.171			

LOC		DIST		REVISIONS			
F	LTR	DATE	BY	APPRO	DESCRIPTION	DATE	BY
A	66					1-2008	MY
F					ECR-08-000264		GB

SIM TO HDM 466383-2



- 1 RECOMMENDED SPARE PARTS.
- 2 GREASE LIGHTLY.
- 3 TERM APPL SPEC 114-10004
- 4 TERM APPL SPEC 114-13131
- 5 CUT TO LENGTH AT ASSEMBLY

QTY REQD PER ASSY	U/M	PART NO	DESCRIPTION	ITEM NO	
1		690701-2	PLATE, SERIAL NO.	125	
1		4-21028-0	PIN,SLT SPR(Ø.093x.75)ST GDE PL	121	
2		21899-2	WASHER,FLAT(#10)S G ADJ BLK	119	
2		21024-5	WASHER, LOCK(#10)ADJ BLOCK	117	
2		21024-2	WASHER,LOCK(#4)FRONT STP GUIDE	114	
REF		21024-4	WASHER,LOCK(#8)FEED FINGER	113	
2		21024-4	WASHER,LOCK(#8)DEP-HOLD	112	
REF		21024-4	WASHER,LOCK(#8)STRIPPER	111	
1		21018-5	NUT,HEX(#6)HOLD DOWN	108	
4		21017-2	SCR,DRIVE(#2x.19)ID PLATE	101	
1		819347-1	PLATE, IDENTIFICATION	100	
2		5-21006-6	SCR,SET,(10-32x.75)DRAG	99	
1		22733-8	SCR,BHC(8-32x.38 LW)ANVIL	98	
1		3-21000-8	SCR,SHC(10-32x.88)MOUNTING	97	
1		2-22733-1	SCR,BHC(10-32x.50)SG ADJ BLK	95	
4		22733-9	SCR,BHC(8-32x.50)SHEAR-TERM SUP	94	
2		2-21002-2	SCR,BHC(8-32x.50)R STP GDE	93	
1		1-21002-7	SCR,SHC(6-32x.50)CAM	91	
2		2-21000-7	SCR,SHC(8-32x.50)SCR BLK	90	
2		2-21000-8	SCR,SHC(8-32x.62)	89	
REF		2-22603-0	SCR,HEX HD(8-32x.31)FEED FINGER	87	
2		1-21000-3	SCR,SHC(4-40x.25)F ST GUIDE	85	
REF		22733-9	SCR,BHC(8-32x.50 SL)STRIPPER	84	
1		3-21000-4	SCR,SHC(10-32x.38)SG ADJ BL	81	
2		463310-5	BLADE, STRIPPING (#20)	77	
2		690603-1	SPRING, ASSIST	74	
2		23030-1	SCR,SHC(6-32x.25)CP DISC	73	
-2	-1	U/M	PART NO	DESCRIPTION	ITEM NO

QTY REQD PER ASSY	U/M	PART NO	DESCRIPTION	ITEM NO	
1		694433-8	PAWL, FEED	70	
1		811242-2	BUMPER, HOLDDOWN	51	
1		690753-1	SPACER, TONKER	50	
1		7-21002-9	BOLT, CRIMPER(5/16x1.00)	49	
1		690602-6	CAM, PRE-FEED 1.62 STROKE	48	
1		690191-1	PLUG, NYLON	45	
1		455673-1	RAM	44	
1		690125-1	WASHER, LAMINATED	43	
1		690124-1	WASHER, RAM	42	
2		23241-6	BALL, STEEL	41	
2		690170-1	SPRING, COMPRESSION	39	
1		690142-1	DISC, INSULATION	38	
1		5-690692-2	DISC, WIRE	37	
1		22480-5	WASHER, SPRING	36	
1		690212-1	POST, RAM	35	
1		692776-1	SUPPORT, TERMINAL	34	
1		462544-1	PLATE, BASE SPECIAL	33	
1		690432-3	SCREW, ADJUSTMENT	32	
1		462543-1	BLOCK, SCREW SPECIAL	31	
1		455689-1	BLOCK, STRIP GUIDE ADJ	30	
1		455671-1	PLATE, STRIP GUIDE	29	
1		1-455888-0	SPACER, FRONT SHEAR DEP	28	
2		1-22284-0	SPRING, DRAG	27	
1		690546-1	LEVER, DRAG RELEASE	26	
1		240792-1	DRAG, TERMINAL	25	
1		6-690504-5	GUIDE, STRIP (REAR)	24	
1		690438-1	GUIDE, STRIP (FRONT)	23	
1		463756-1	GUIDE, SCRAP	21	
REF		462615-1	STRIPPER	19	
1		3-22280-3	SPRING, SHEAR	12	
1		690461-2	STOP, SHEAR (FRONT)	11	
1		462548-1	HOLDER, SHEAR (FRONT) SP	10	
1		462547-1	SHEAR, FLOAT (FRONT) SP	9	
1		3-458834-1	ANVIL	8	
1		3-240641-9	SPACER	7	
1		462838-1	DEPRESSOR, SHEAR (FRONT) SP	5	
1		238011-4	SPACER, BLOCK CRIMPER	4	
1		1-456135-7	CRIMPER, INSULATION	3	
1		455888-4	SPACER, CRIMPER	2	
1		2-456403-6	CRIMPER, WIRE	1	
-2	-1	U/M	PART NO	DESCRIPTION	ITEM NO

THIS DRAWING IS A CONTROLLED DOCUMENT.

DIMENSIONS: INCHES	TOLERANCES UNLESS OTHERWISE SPECIFIED:	DIN J. HERRINGTON 9/4/92	Tyco Electronics Tyco Electronics Corporation Harrisburg, PA 17105-3608
0 PLC ± .005	1 PLC ± .002	CHK A. CHECKER 9-5-92	
2 PLC ± .001	3 PLC ± .0005	APPRO C. FRISMAN 9-5-92	NAME STRIPPER CRIMPER APPLICATOR
4 PLC ± .0002	ANGLES ± .001		
MATERIAL	FINISH	WEIGHT	SIZE CASE CODE DRAWING NO RESTRICTED TO
			A1 00779 ©=466979
CUSTOMER DRAWING		SCALE	SHEET 1 OF 1 REV F